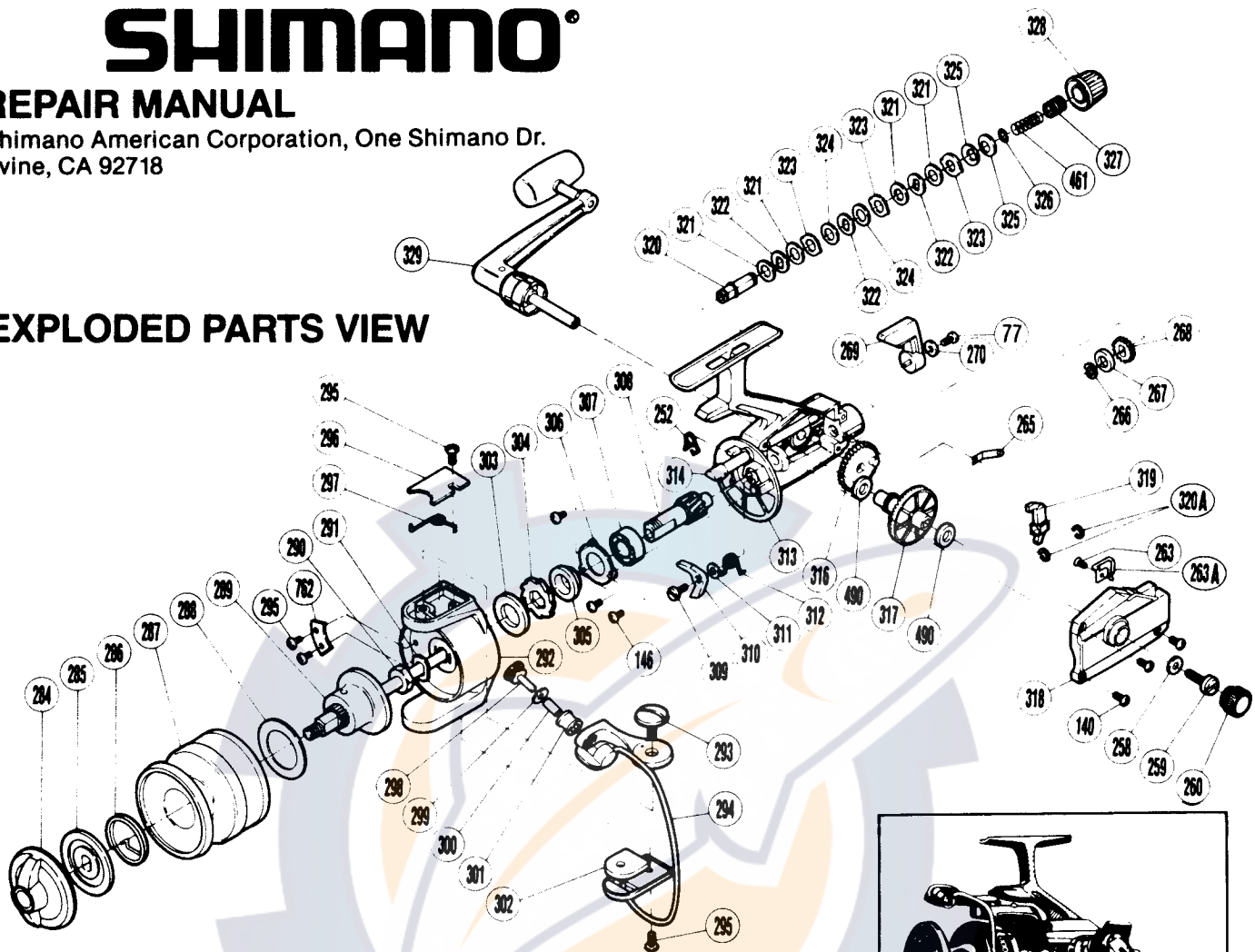


REPAIR MANUAL

Shimano American Corporation, One Shimano Dr.
Irvine, CA 92718

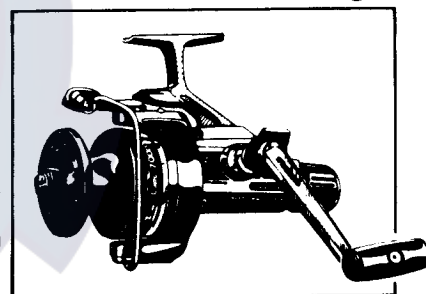
EXPLODED PARTS VIEW



CUSTOM 7000

TO ORDER:

This reel belongs to the "Rear Drag" series.
Please order parts using the abbreviation
"RD" and the part number.



PARTS LIST

PART# DESCRIPTION

- 77. Anti Reverse Lever Screw
(Originally 243)
- 146. Bearing Lock Screw
(Originally 271)
- 252. Anti Reverse Shaft Spring *
- 257. Side Plate Screw
- 258. Handle Screw Lock Washer
- 259. Handle Screw
- 260. Dust Cap
- 263. Click Spring Screw
- 263A. Click Spring
- 265. Detent Spring
- 266. Drag "C" Lock
- 267. Spacer
- 268. Drag Ratchet Wheel
- 269. Anti Reverse Lever
- 270. Lever Screw Lock Washer
- 284. Spool Drag Knob
- 285. Spool Drag Disc
- 286. Click Spring
- 287. Spool
- 288. Base Drag Washer

PART# DESCRIPTION

- 289. Spool Shaft
- 290. Rotor Nut
- 291. Rotor Lock
- 292. Rotor
- 293. Bail Mount Screw
- 294. Bail Wire
- 295. Multi Purpose Screw
- 296. Bail Spring Cover
- 297. Bail Spring
- 298. Line Guide Screw
- 299. Line Guide Cover
- 300. Line Guide Bushing
- 301. Roller Line Guide
- 302. Counter Weight
- 303. Ratchet Washer
- 304. Anti Reverse Ratchet
- 305. Ratchet Spacer
- 306. Bearing Lock
- 307. Ball Bearing
- 308. Pinion Gear
- 309. Anti Reverse Dog Screw
- 310. Anti Reverse Dog

PART# DESCRIPTION

- 311. Anti Reverse Dog Spacer
- 312. Anti Reverse Dog Spring
- 313. Housing
- 314. Anti Reverse Shaft
- 316. Oscillation Gear
- 317. Drive Gear
- 318. Side Plate
- 319. Oscillation Guide
- 320. Stern Drag Shaft
- 320A. "C" Lock
- 321. Drag Washer "C"
- 322. "D" Washer
- 323. Keyed Washer
- 324. Drag Washer "E"
- 325. Coned Disc Spring
- 326. Drag "C" Lock
- 327. Stern Drag Spring
- 328. Stern Drag Knob
- 329. Handle
- 461. Lock Spring
- 490. Drive Gear Bushing
- 762. Counterweight B ('85)

*originally 315

Prices and specifications subject to change without notice

JUNE 1986