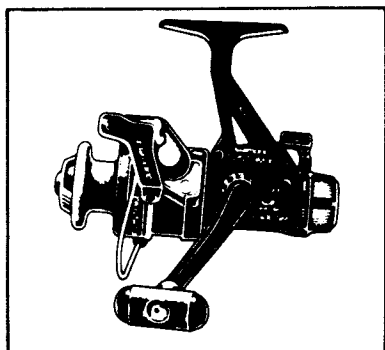
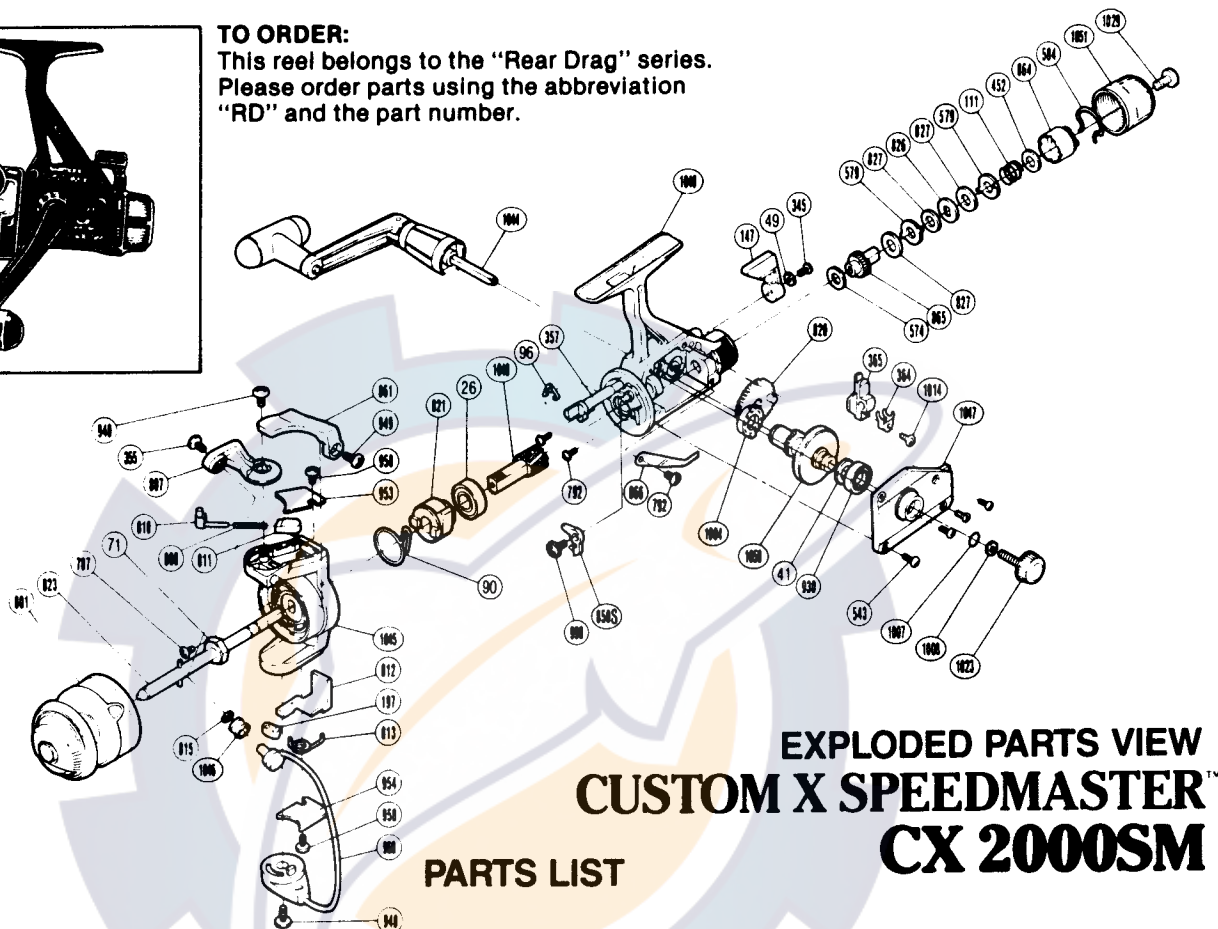


1987 REPAIR MANUAL

Shimano American Corporation, One Shimano Dr.
Irvine, CA 92718



TO ORDER:
This reel belongs to the "Rear Drag" series.
Please order parts using the abbreviation
"RD" and the part number.



EXPLODED PARTS VIEW CUSTOM X SPEEDMASTER™ CX 2000SM

PARTS LIST

PART # DESCRIPTION

- 26. Ball Bearing
- 41. Drive Gear Washer
- 49. Lock Washer
- 71. Rotor Nut
- 90. Anti-Reverse Pawl Spring
- 96. Anti-Reverse Cam Spring
- 111. Drag (Coil) Spring
- 147. Anti-Reverse Lever
- 197. Bail Trip Slide Cam
- 345. Anti-Reverse Lever Screw
- 355. Line Roller Screw
- 357. Anti-Reverse Cam
- 364. Oscillating Slider Retainer
- 365. Oscillating Slider
- 452. Drag Spring Washer "A"
- 543. Side Cover Screw (B)
- 574. Drag Washer "C2" (White)
- 579. Eared Washer "B"
- 584. Hold Click Spring
- 787. Nut Lock Screw

PART # DESCRIPTION

- 792. Bearing Retainer Screw
- 801. Spool Assembly (Universal)
- 807. Bail Arm
- 808. Bail Spring
- 810. Bail Spring Guide A
- 811. Bail Spring Guide B
- 812. Bail Trip Lever
- 813. Lever Spring
- 815. Line Roller Washer
- 820. Oscillating Gear
- 821. Anti-Reverse Ratchet
- 823. Main Shaft
- 826. Key Washer "A"
- 827. Drag Washer "H1"
- 850S. Anti Reverse Pawl
- 861. Quick-Fire II Trigger
- 864. Pressure Screw
- 865. Drag Shaft
- 866. Drag Click
- 930. Ball Bearing

PART # DESCRIPTION

- 940. Bail Trip Cam Screw
- 949. Trigger Screw
- 953. Bail Spring Cover
- 954. Bail Trip Cover
- 958. Bail Trip Cover Screw
- 968. Bail Assembly
- 998. Anti-Reverse Pawl Screw
- 1004. Bushing A
- 1007. Lock Washer Retainer
- 1008. Handle Lock Washer
- 1014. Slider Retainer Screw
- 1023. Handle Screw Cap
- 1029. Drag Knob Screw
- 1044. Handle Assembly
- 1045. Rotor
- 1046. Sic Ceramic Roller
- 1047. Side Cover
- 1048. Body
- 1049. Pinion Gear
- 1050. Drive Gear
- 1051. Drag Knob