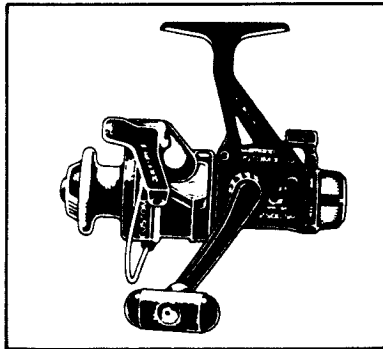


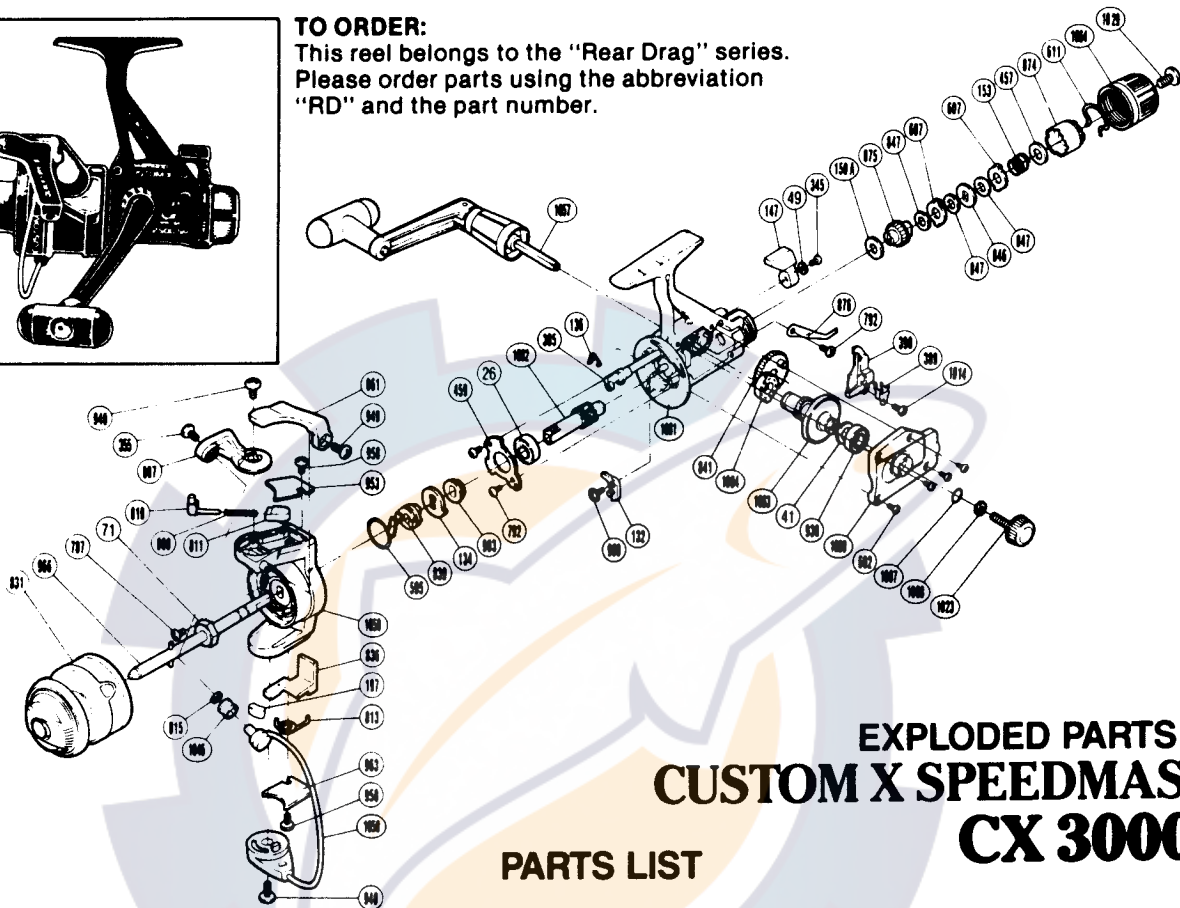
1987 REPAIR MANUAL

Shimano American Corporation, One Shimano Dr.
 Irvine, CA 92718



TO ORDER:

This reel belongs to the "Rear Drag" series.
 Please order parts using the abbreviation
 "RD" and the part number.



**EXPLODED PARTS VIEW
 CUSTOM X SPEEDMASTER™
 CX 3000SM**

PARTS LIST

PART #	DESCRIPTION	PART #	DESCRIPTION	PART #	DESCRIPTION
26.	Ball Bearing	611.	Hold Click Spring	940.	Bail Trip Cam Screw
41.	Drive Gear Washer	787.	Nut Lock Screw	949.	Trigger Screw
49.	Lock Washer	792.	Bearing Retainer Screw	953.	Bail Spring Cover
71.	Rotor Nut	807.	Bail Arm	958.	Bail Trip Cover Screw
132.	Anti-Reverse Pawl Assembly	808.	Ball Spring	963.	Bail Trip Cover
134.	Anti-Reverse Ratchet	810.	Ball Spring Guide A	966.	Main Shaft
136.	Anti-Reverse Cam Spring	811.	Ball Spring Guide B	999.	Anti-Reverse Pawl Screw
147.	Anti-Reverse Lever	813.	Lever Spring	1004.	Bushing A
150A.	Drag Washer "C2" (White)	815.	Line Roller Washer	1007.	Lock Washer Retainer
153.	Drag (Coil) Spring	831.	Spool Assembly (Universal)	1008.	Handle Lock Washer
197.	Bail Trip Slide Cam	836.	Bail Trip Lever	1014.	Slider Retainer Screw
345.	Anti-Reverse Lever Screw	839.	Anti-Reverse Spring Holder	1023.	Handle Screw Cap
355.	Line Roller Screw	841.	Oscillating Gear	1029.	Drag Knob Screw
385.	Anti-Reverse Cam	846.	Key Washer "A"	1046.	Sic Ceramic Roller
389.	Oscillating Slider Retainer	847.	Drag Washer "H1"	1057.	Handle Assembly
390.	Oscillating Slider	861.	Quick-Fire II Trigger	1058.	Rotor
457.	Drag Spring Washer "A"	874.	Pressure Screw	1059.	Bail Assembly
459.	Bearing Retainer	875.	Drag Shaft	1060.	Side Cover
595.	Anti-Reverse Pawl Spring	876.	Drag Click	1061.	Body
602.	Side Cover Screw A	903.	Pinion Spacer	1062.	Pinion Gear
607.	Eared Washer "B"	930.	Ball Bearing	1063.	Drive Gear
				1064.	Drag Knob