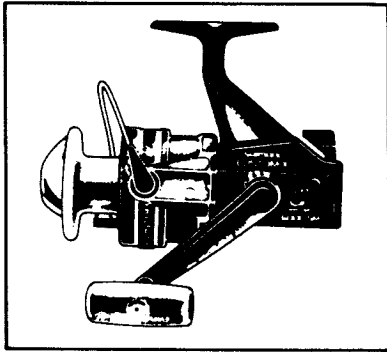
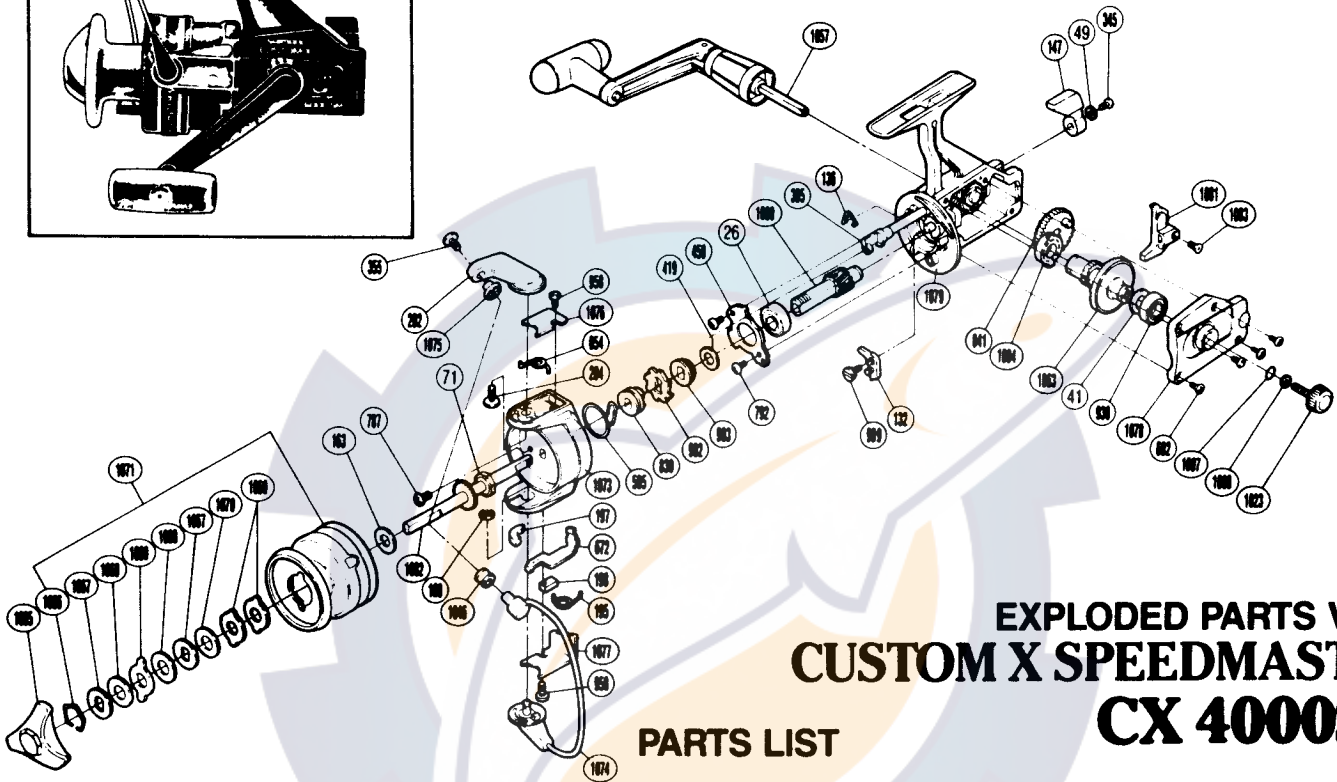


1987 REPAIR MANUAL

Shimano American Corporation, One Shimano Dr.
 Irvine, CA 92718



TO ORDER:
 This reel belongs to the "Rear Drag" series.
 Please order parts using the abbreviation
 "RD" and the part number.



**EXPLODED PARTS VIEW
 CUSTOM X SPEEDMASTER™
 CX 4000SM**

PARTS LIST

PART #	DESCRIPTION
26.	Ball Bearing
41.	Drive Gear Washer
49.	Lock Washer
71.	Rotor Nut
132.	Anti-Reverse Pawl Assembly
136.	Anti-Reverse Cam Spring
147.	Anti-Reverse Lever
163.	Spool Washer
189.	"E" Lock
195.	Lever Spring
197.	Bail Trip Slide Cam
198.	Trip Lever Guide
202.	Bail Arm
204.	Bail Arm Screw
345.	Anti-Reverse Lever Screw
355.	Line Roller Screw
385.	Anti-Reverse Cam
419.	Bushing Washer (B)
459.	Bearing Retainer

PART #	DESCRIPTION
595.	Anti-Reverse Pawl Spring
602.	Side Cover Screw A
654.	Bail Spring
672.	Bail Trip Lever
787.	Nut Lock Screw
792.	Bearing Retainer Screw
839.	Anti-Reverse Spring Holder
841.	Oscillating Gear
902.	Anti-Reverse Ratchet
903.	Pinion Spacer
930.	Ball Bearing
958.	Bail Trip Cover Screw
999.	Anti-Reverse Pawl Screw
1004.	Bushing A
1007.	Lock Washer Retainer
1008.	Handle Lock Washer
1023.	Handle Screw Cap
1046.	Sic Ceramic Roller
1057.	Handle Assembly

PART #	DESCRIPTION
1063.	Drive Gear
1065.	Drag Knob
1066.	Drag Washers Retainer
1067.	Key Washer
1068.	Drag Washer 1
1069.	Eared Washer
1070.	Drag Washer 2
1071.	Spool Assembly
1073.	Rotor
1074.	Bail Assembly
1075.	Line Roller Washer
1076.	Bail Spring Cover
1077.	Bail Trip Cover
1078.	Side Cover
1079.	Body
1080.	Pinion Gear
1081.	Oscillating Slider
1082.	Main Shaft
1083.	Slider Retainer Screw