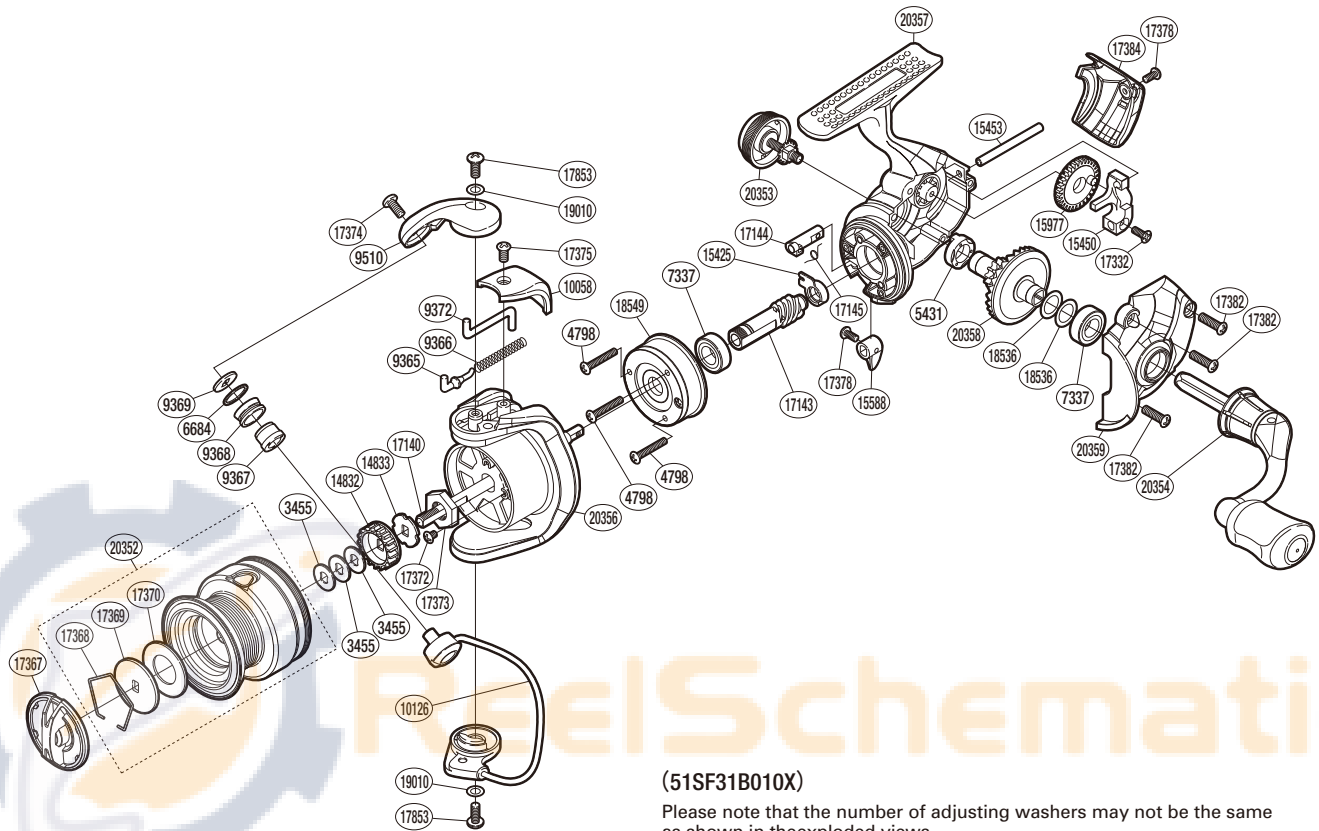


# SHIMANO

## FX

## FX1000FC



(51SF31B010X)

Please note that the number of adjusting washers may not be the same as shown in the exploded views.  
(Adjustment will vary with each individual product.)

Part No.	Description	Part No.	Description	Part No.	Description
RD 3455	Spool Washer	RD15425	Pinion Gear Bushing	RD17374	Screw
RD 4798	Screw	RD15450	Oscillating Slider	RD17375	Screw
RD 5431	Drive Gear Bushing	RD15453	Oscillating Guide	RD17378	Screw
RD 6684	Line Roller Spacer	RD15588	Anti-Reverse Lever	RD17382	Screw
RD 7337	Ball Bearing	RD15977	Oscillating Gear	RD17384	Rear Protector
RD 9365	Bail Spring Guide A	RD17140	Main Shaft	RD17853	Screw
RD 9366	Bail Spring	RD17143	Pinion Gear	RD18536	Washer
RD 9367	Line Roller Bushing	RD17144	Anti-Reverse Cam	RD18549	Roller Clutch Assembly
RD 9368	Line Roller	RD17145	Anti-Reverse Cam Spring	RD19010	Washer
RD 9369	Line Roller Washer	RD17332	Screw	RD20352	Spool Assembly
RD 9372	Bail Trip Lever	RD17367	Drag Knob Assembly	RD20353	Handle Screw Cap
RD 9510	Bail Arm	RD17368	Drag Washer Retainer	RD20354	Handle Assembly
RD10058	Bail Spring Cover	RD17369	Key Washer	RD20356	Rotor
RD10126	Bail Assembly	RD17370	Drag Washer	RD20357	Body Assembly
RD14832	Spool Support A	RD17372	Screw	RD20358	Drive Gear
RD14833	Spool Support B	RD17373	Rotor Nut	RD20359	Side Cover