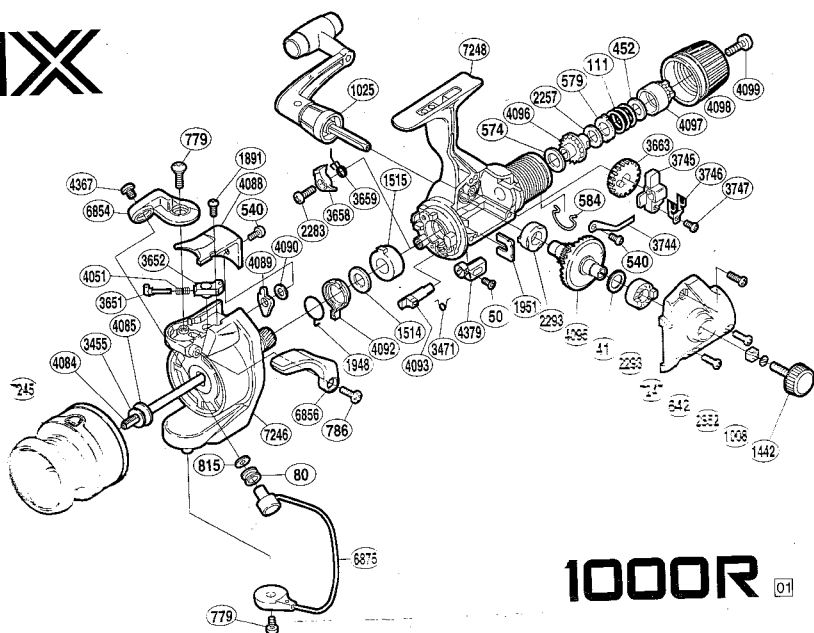
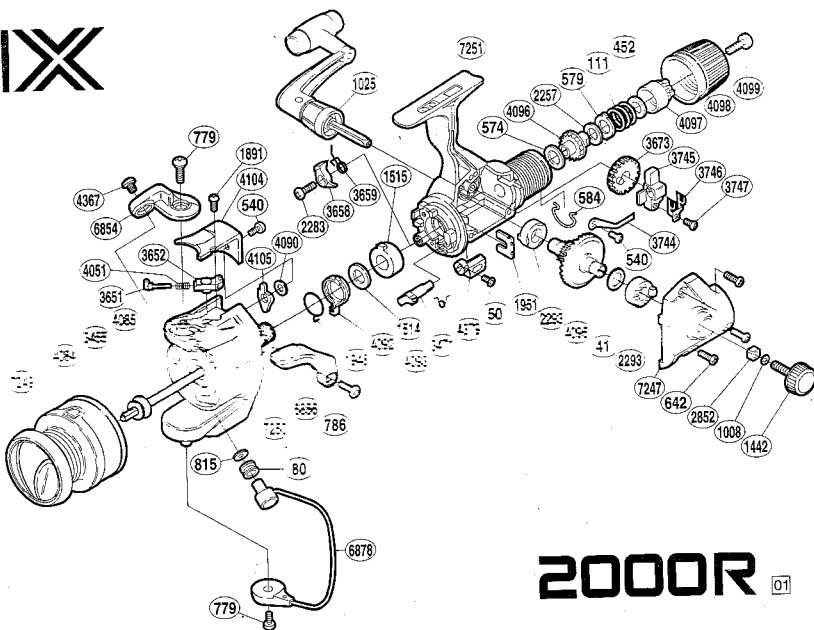


# IX



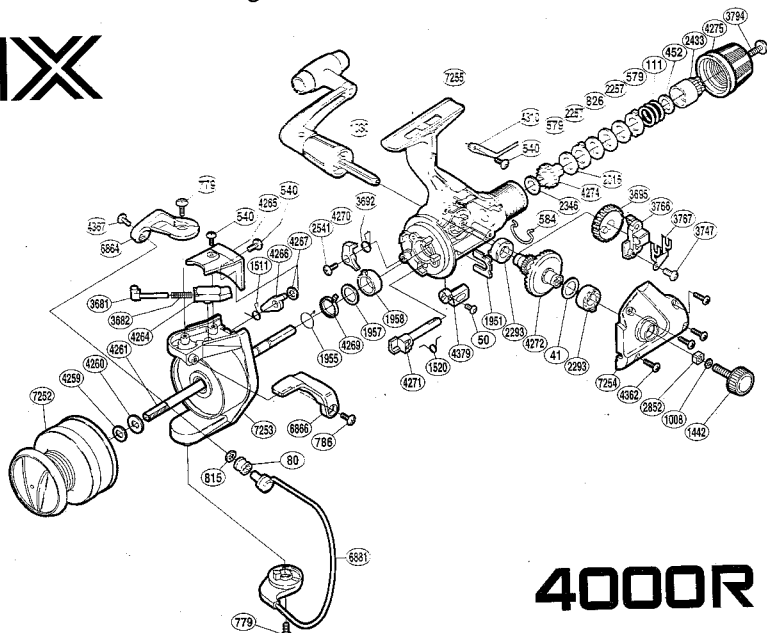
## 1000R 01

# IX



## 2000R 01

# IX



## 4000R 01

1000 R

| RD No. | PARTS NAMES                  | RD No. | PARTS NAMES                 | RD No. | PARTS NAMES            |
|--------|------------------------------|--------|-----------------------------|--------|------------------------|
| 0041   | Drive Gear Washer            | 1951   | Rotor Lock                  | 4089   | Bail Trip Lever        |
| 0050   | Anti-Reverse Lever Screw     | 2257   | Drag Washer "H" (blue)      | 4090   | Bail Trip Lever Washer |
| 0080   | Line Roller                  | 2283   | Anti-Reverse Pawl Screw     | 4092   | Anti-Reverse Lock Out  |
| 0111   | Drag Coil Spring             | 2293   | Drive Gear Bushing          | 4093   | Anti-Reverse Cam       |
| 0452   | Drag Spring Washer           | 2852   | Handle Screw Lock           | 4095   | Drive Gear             |
| 0540   | Multi-Purpose Screw          | 3455   | Spool Washer                | 4096   | Drag Shaft             |
| 0574   | Drag Washer "C" (cloth)      | 3471   | Anti-Reverse Cam Spring     | 4097   | Pressure Screw         |
| 0579   | Eared Washer "B"             | 3651   | Bail Spring Guide (A)       | 4098   | Drag Knob              |
| 0584   | Hold Click Spring            | 3652   | Bail Spring Guide (B)       | 4099   | Drag Knob Screw        |
| 0642   | Side Cover Screw             | 3658   | Anti-Reverse Pawl           | 4367   | Line Roller Screw      |
| 0779   | Multi-Purpose Screw          | 3659   | Anti-Reverse Pawl Spring    | 4379   | Anti-Reverse Lever     |
| 0786   | Trigger Screw                | 3663   | Oscillating Gear            | 6854   | Bail Arm               |
| 0815   | Line Roller Washer           | 3744   | Drag Click                  | 6856   | Quick-Fire II Trigger  |
| 1008   | Handle Lock Washer           | 3745   | Oscillating Slider          | 6875   | Bail Assembly          |
| 1025   | Handle Assembly              | 3746   | Oscillating Slider Retainer | 7245   | Spool Assembly         |
| 1442   | Handle Screw Cap             | 3747   | Slider Retainer Screw       | 7246   | Rotor Assembly         |
| 1514   | Bushing Washer               | 4051   | Bail Spring                 | 7247   | Side Cover             |
| 1515   | Bushing                      | 4084   | Main Shaft                  | 7248   | Body                   |
| 1891   | Bail Spring Cover Screw      | 4085   | Spool Support               |        |                        |
| 1948   | Anti-Reverse Lock Out Spring | 4088   | Bail Spring Cover           |        |                        |

(120828)

2000 R

| RD No. | PARTS NAMES                  | RD No. | PARTS NAMES                 | RD No. | PARTS NAMES           |
|--------|------------------------------|--------|-----------------------------|--------|-----------------------|
| 0041   | Drive Gear Washer            | 1951   | Rotor Lock                  | 4092   | Anti-Reverse Lock Out |
| 0050   | Anti-Reverse Lever Screw     | 2257   | Drag Washer "H" (blue)      | 4093   | Anti-Reverse Cam      |
| 0080   | Line Roller                  | 2283   | Anti-Reverse Pawl Screw     | 4095   | Drive Gear            |
| 0111   | Drag Coil Spring             | 2293   | Drive Gear Bushing          | 4096   | Drag Shaft            |
| 0452   | Drag Spring Washer           | 2852   | Handle Screw Lock           | 4097   | Pressure Screw        |
| 0540   | Multi-Purpose Screw          | 3455   | Spool Washer                | 4098   | Drag Knob             |
| 0574   | Drag Washer "C" (cloth)      | 3471   | Anti-Reverse Cam Spring     | 4099   | Drag Knob Screw       |
| 0579   | Eared Washer "B"             | 3651   | Bail Spring Guide (A)       | 4104   | Bail Spring Cover     |
| 0584   | Hold Click Spring            | 3652   | Bail Spring Guide (B)       | 4105   | Bail Trip Lever       |
| 0642   | Side Cover Screw             | 3658   | Anti-Reverse Pawl           | 4367   | Line Roller Screw     |
| 0779   | Multi-Purpose Screw          | 3659   | Anti-Reverse Pawl Spring    | 4379   | Anti-Reverse Lever    |
| 0786   | Trigger Screw                | 3673   | Oscillating Gear            | 6854   | Bail Arm              |
| 0815   | Line Roller Washer           | 3744   | Drag Click                  | 6856   | Quick-Fire II Trigger |
| 1008   | Handle Lock Washer           | 3745   | Oscillating Slider          | 6875   | Bail Assembly         |
| 1025   | Handle Assembly              | 3746   | Oscillating Slider Retainer | 7247   | Side Cover            |
| 1442   | Handle Screw Cap             | 3747   | Slider Retainer Screw       | 7249   | Spool Assembly        |
| 1514   | Bushing Washer               | 4051   | Bail Spring                 | 7250   | Rotor Assembly        |
| 1515   | Bushing                      | 4084   | Main Shaft                  | 7251   | Body                  |
| 1891   | Bail Spring Cover Screw      | 4085   | Spool Support               |        |                       |
| 1948   | Anti-Reverse Lock Out Spring | 4090   | Bail Spring Cover           |        |                       |

(120828)

4000 R

| RD No. | PARTS NAMES                  | RD No. | PARTS NAMES                 | RD No. | PARTS NAMES            |
|--------|------------------------------|--------|-----------------------------|--------|------------------------|
| 0041   | Drive Gear Washer            | 1958   | Bushing                     | 4265   | Bail Spring Cover      |
| 0050   | Anti-Reverse Lever Screw     | 2016   | Drag Washer "H" (cloth)     | 4266   | Bail Trip Lever        |
| 0080   | Line Roller                  | 2257   | Drag Washer "H" (blue)      | 4267   | Bail Trip Lever Washer |
| 0111   | Drag Coil Spring             | 2293   | Drive Gear Bushing          | 4269   | Anti-Reverse Lock Out  |
| 0452   | Drag Spring Washer           | 2346   | Drag Washer "C" (cloth)     | 4270   | Anti-Reverse Pawl      |
| 0540   | Multi-Purpose Screw          | 2433   | Pressure Screw              | 4271   | Anti-Reverse Cam       |
| 0579   | Eared Washer "B"             | 2541   | Anti-Reverse Pawl Screw     | 4272   | Drive Gear             |
| 0584   | Hold Click Spring            | 2852   | Handle Screw Lock           | 4274   | Drag Shaft             |
| 0779   | Multi-Purpose Screw          | 3681   | Bail Spring Guide (A)       | 4275   | Drag Knob              |
| 0786   | Trigger Screw                | 3682   | Bail Spring                 | 4310   | Drag Click             |
| 0815   | Line Roller Washer           | 3692   | Anti-Reverse Pawl Spring    | 4362   | Side Cover Screw       |
| 0826   | Key Washer "A"               | 3695   | Oscillating Gear            | 4367   | Line Roller Screw      |
| 1008   | Handle Lock Washer           | 3747   | Slider Retainer Screw       | 4379   | Anti-Reverse Lever     |
| 1030   | Handle Assembly              | 3766   | Oscillating Slider          | 6864   | Bail Arm               |
| 1442   | Handle Screw Cap             | 3767   | Oscillating Slider Retainer | 6866   | Quick-Fire II Trigger  |
| 1511   | Lever Spring                 | 3794   | Drag Knob Screw             | 6881   | Bail Assembly          |
| 1520   | Anti-Reverse Cam Spring      | 4259   | Spool Washer                | 7252   | Spool Assembly         |
| 1951   | Rotor Lock                   | 4260   | Spool Support               | 7253   | Rotor Assembly         |
| 1955   | Anti-Reverse Lock Out Spring | 4261   | Main Shaft                  | 7254   | Side Cover             |
| 1957   | Bushing Washer               | 4264   | Bail Spring Guide (B)       | 7255   | Body                   |

(120828)