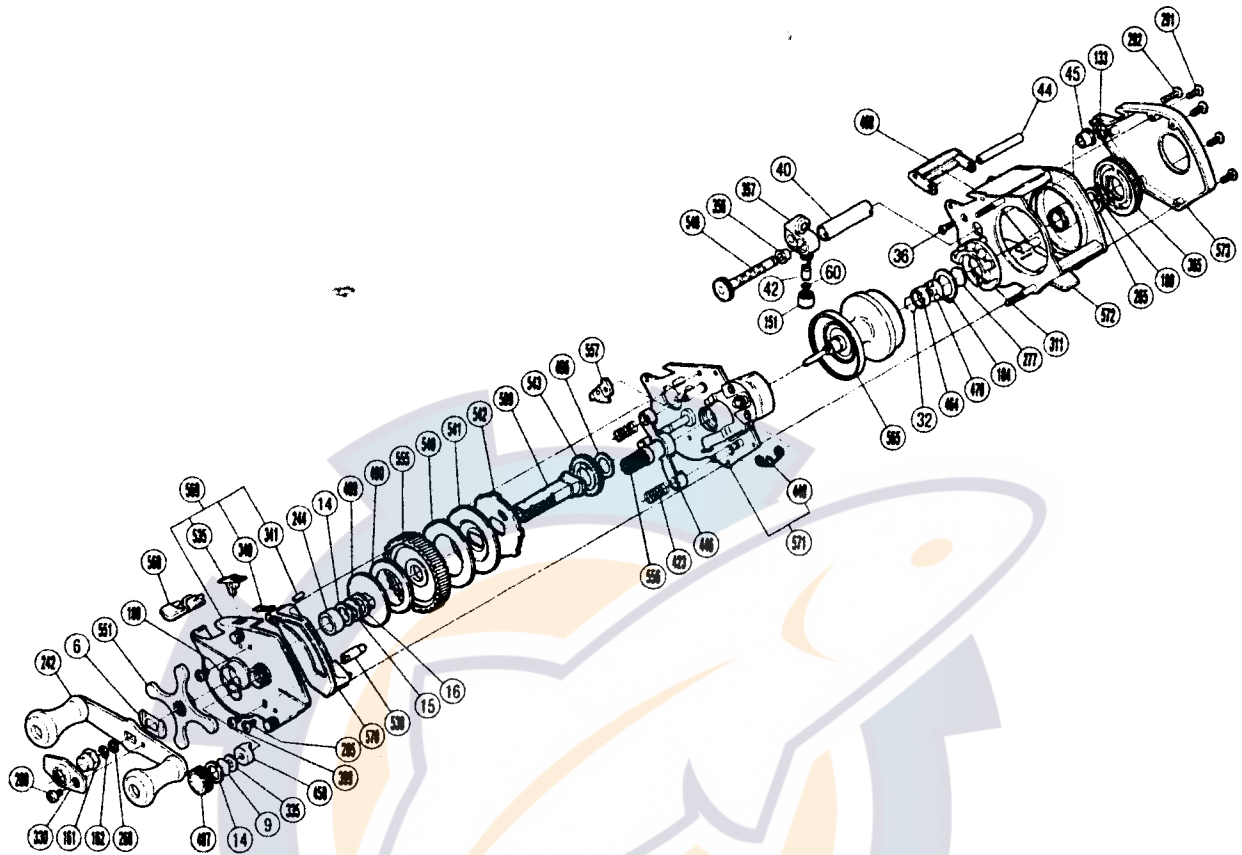


EXPLODED PARTS VIEWS OF BSM-1551



■PARTS LIST OF BSM-1551

BNT No.	PARTS NAMES	BNT No.	PARTS NAMES
6	Friction Washer "A"	357	Line Guide
9	Cast Control Spacer	365	Magnetic Control Dial
14	Friction Washer "B"	399	Retractor Guide Screw
15	Drag Spring Washer	423	Yoke Spring
16	Friction Washer "C"	446	Yoke
32	Bushing Retainer	448	Retractor Spring
36	Stabilizer Bar Screw "A"	458	Bushing "A"
40	Level Wind Guard	464	Bushing Spacer
42	Line Guide Pawl	468	Level Wind Protector
44	Stabilizer Bar	470	Bushing "C"
45	Worm Bearing "B"	487	Cast Control Cap
60	Spacer(optional)	489	Key Washer "A"
133	Worm Shaft Retainer	490	Drag Washer
151	Pawl Cap	496	Drive Shaft Washer "C"
161	Handle Nut	509	Drive Shaft
162	Drive Shaft Retainer	535	Anti-Reverse Switch
184	Magnet Retainer Lock	538	Retractor Guide
188	O Ring	540	Drive Shaft Washer "B"
242	Handle Assembly	541	Key Washer "B"
244	Bushing "B"	542	Anti-Reverse Ratchet
265	Spacer(optional)	543	Idle Gear
268	Drive Shaft Washer "A"	548	Worm Shaft
277	Bushing Spacer "B"	551	Star Drag
280	Handle Nut Plate Screw	555	Drive Gear
285	Left Side Plate Screw	556	Pinion Gear
291	Right Side Plate Screw	557	Anti-Reverse Pawl
292	Stabilizer Bar Screw "B"	565	Spool
311	Magnet Retainer	658	Left Side Plate Cover
330	Handle Nut Plate	569	Left Side Plate
335	Bushing Washer "A"	570	Clutch Button Attachment
340	Switch Spring	571	Set Plate Assembly
341	Switch Spring Lock	572	Frame
356	Worm Bearing "A"	573	Right Side Plate