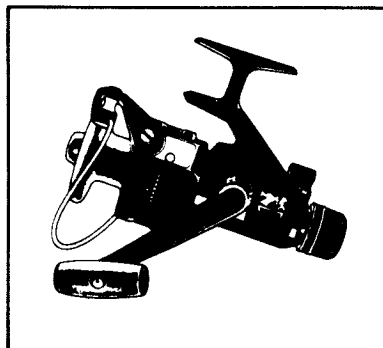


1987 REPAIR MANUAL

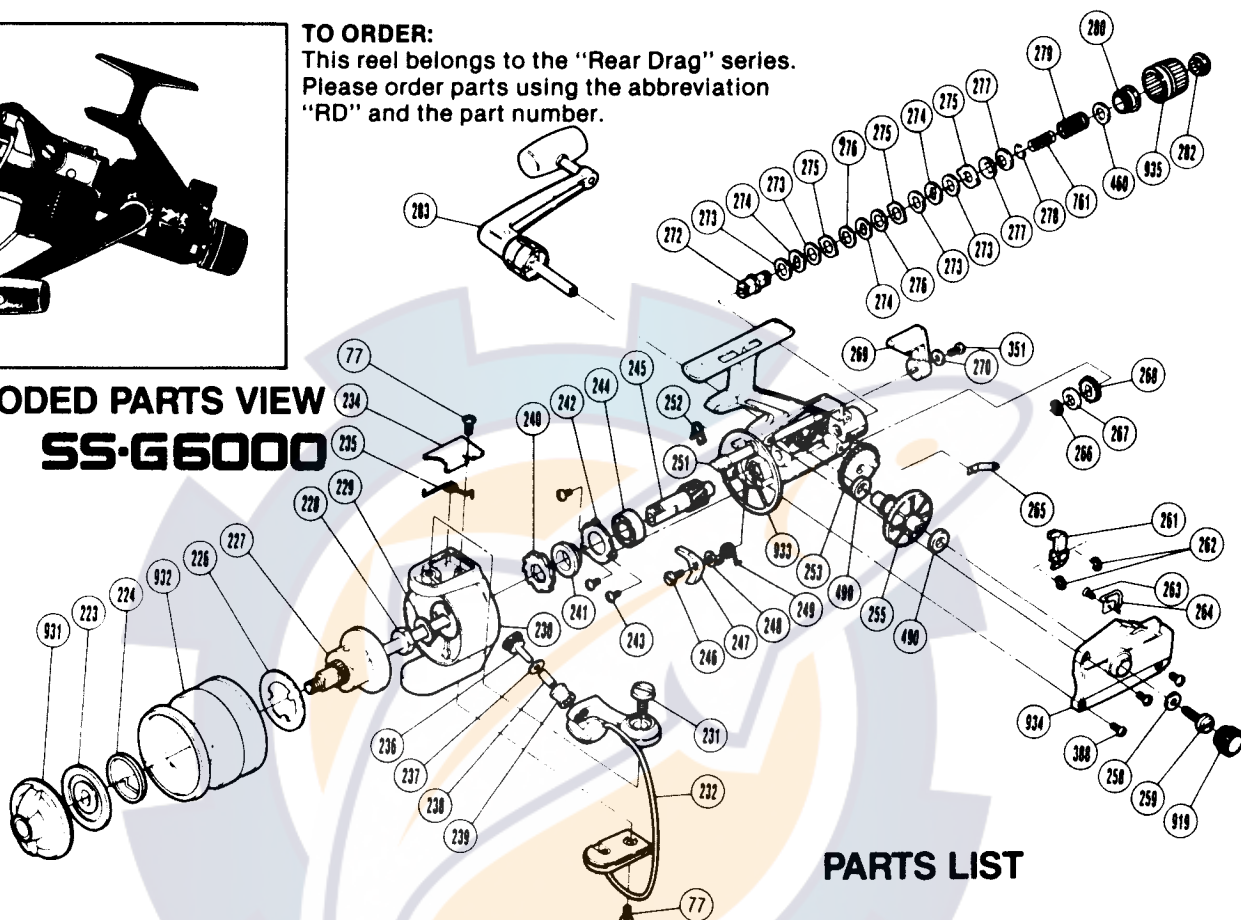
Shimano American Corporation, One Shimano Dr.
 Irvine, CA 92718



TO ORDER:

This reel belongs to the "Rear Drag" series.
 Please order parts using the abbreviation
 "RD" and the part number.

**EXPLODED PARTS VIEW
 SS-G6000**



PARTS LIST

PART # DESCRIPTION

- 77. Multi Purpose Screw
- 223. Spool Drag Disc
- 224. Click Spring
- 226. Spool Washer
- 227. Main Shaft Assembly
- 228. Rotor Nut
- 229. Rotor Nut Lock Plate
- 230. Rotor
- 231. Bail Arm Screw
- 232. Bail Assembly
- 234. Bail Spring Cover
- 235. Bail Spring
- 236. Line Roller Screw Assembly
- 237. Line Roller Washer
- 238. Line Roller Bushing
- 239. Line Roller
- 240. Anti-Reverse Ratchet
- 241. Pinion Spacer
- 242. Bearing Retainer
- 243. Bearing Retainer Screw
- 244. Ball Bearing
- 245. Pinion Gear

PART # DESCRIPTION

- 246. Anti-Reverse Pawl Screw
- 247. Anti-Reverse Pawl
- 248. Anti-Reverse Pawl Spacer
- 249. Anti-Reverse Pawl Spring
- 251. Anti-Reverse Cam
- 252. Anti-Reverse Cam Spring
- 253. Oscillating Gear Assembly
- 255. Drive Gear
- 258. Handle Lock Washer
- 259. Handle Lock Screw
- 261. Oscillating Slider
- 262. "C" Lock
- 263. Drag Click Screw
- 264. Drag Click
- 265. Drag Knob Click Spring
- 266. Click Gear "C" Lock
- 267. Click Gear Spacer
- 268. Click Gear
- 269. Anti-Reverse Lever
- 270. Lock Washer
- 272. Drag Shaft

PART # DESCRIPTION

- 273. Drag Washer "C₂"
- 274. Key Washer "A"
- 275. Eared Washer "B"
- 276. Drag Washer "C₁"
- 277. Coned Disc Spring
- 278. Washers Hold Ring
- 279. Drag Coil Spring
- 280. Pressure Screw
- 282. Drag Knob Screw
- 283. Handle Assembly
- 351. Anti-Reverse Lever Screw
- 388. Side Cover Screw
- 460. Drag Spring Washer "A"
- 490. Bushing
- 761. Drag Hold Spring
- 919. Handle Screw Cap
- 931. Spool Drag Knob Assembly
- 932. Spool Assembly
- 933. Body
- 934. Side Cover
- 935. Drag Knob (Stern)