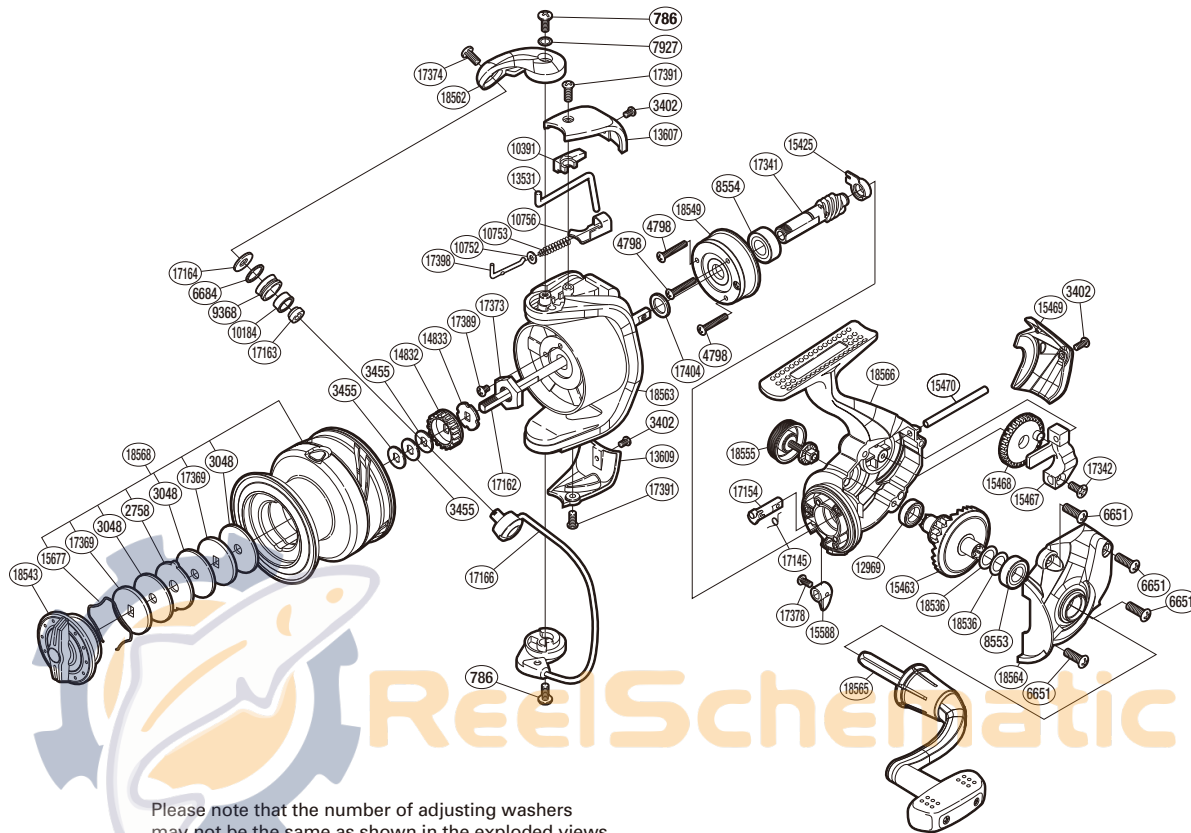


SHIMANO

NEXAVE

NEX-C5000HGFE



Please note that the number of adjusting washers may not be the same as shown in the exploded views.

(51SB47H051X) (Adjustment will vary with each individual product.)

| Part No. | Description | Part No. | Description | Part No. | Description |
|----------|-----------------------------|----------|-------------------------|----------|------------------------|
| RD 0786 | Screw | RD13607 | Bail Spring Cover | RD17342 | Screw |
| RD 2758 | Eared Washer | RD13609 | Bail Hold Support Guard | RD17369 | Key Washer |
| RD 3048 | Drag Washer | RD14832 | Spool Support A | RD17373 | Rotor Nut |
| RD 3402 | Screw | RD14833 | Spool Support B | RD17374 | Screw |
| RD 3455 | Spool Washer | RD15425 | Pinion Gear Bushing | RD17378 | Screw |
| RD 4798 | Screw | RD15463 | Drive Gear | RD17389 | Screw |
| RD 6651 | Screw | RD15467 | Oscillating Slider | RD17391 | Screw |
| RD 6684 | Line Roller Spacer | RD15468 | Oscillating Gear | RD17398 | Bail Spring Guide A |
| RD 7927 | Washer | RD15469 | Rear Protector | RD17404 | Washer |
| RD 8553 | Ball Bearing | RD15470 | Oscillating Guide | RD18536 | Washer |
| RD 8554 | Ball Bearing | RD15588 | Anti-Reverse Lever | RD18543 | Drag Knob Assembly |
| RD 9368 | Line Roller | RD15677 | Drag Washers Retainer | RD18549 | Roller Clutch Assembly |
| RD10184 | Line Roller Bushing | RD17145 | Anti-Reverse Cam Spring | RD18555 | Handle Screw Cap |
| RD10391 | Bail Trip Cover | RD17154 | Anti-Reverse Cam | RD18562 | Bail Arm |
| RD10752 | Bail Spring Guide A Support | RD17162 | Main Shaft | RD18563 | Rotor |
| RD10753 | Bail Spring | RD17163 | Line Roller Collar | RD18564 | Side Cover |
| RD10756 | Bail Spring Seat | RD17164 | Line Roller Washer | RD18565 | Handle Assembly |
| RD12969 | Ball Bearing | RD17166 | Bail Assembly | RD18566 | Body Assembly |
| RD13531 | Bail Trip Lever | RD17341 | Pinion Gear | RD18568 | Spool Assembly |