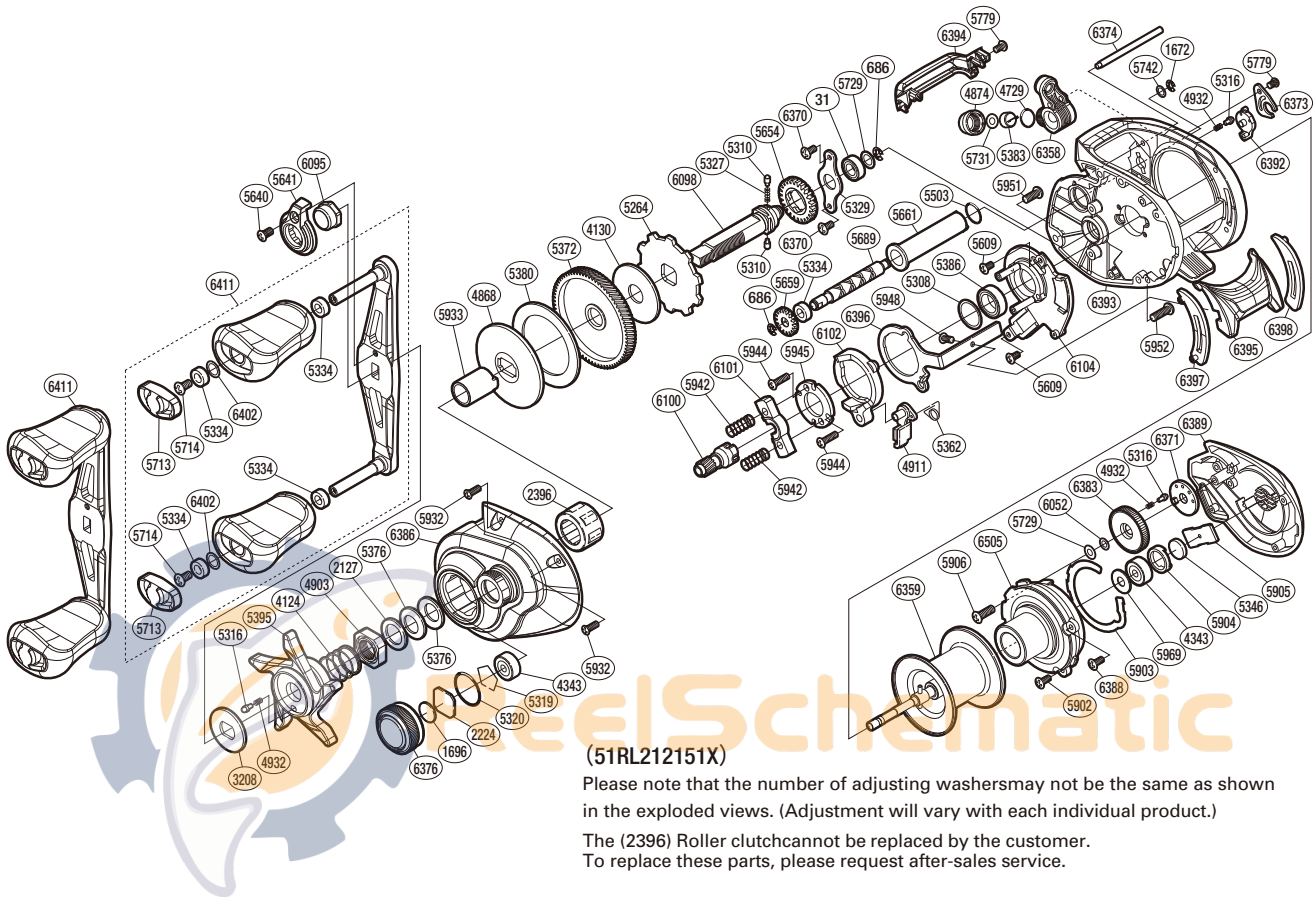


SHIMANO

SLX S A-RB

SLXDC151XG



Part No.	Description	Part No.	Description	Part No.	Description
BNT0031	Ball Bearing	BNT5383	Line Guide Pawl	BNT6052	Washer
BNT0686	E Lock	BNT5386	Ball Bearing	BNT6095	Handle Nut
BNT1672	E Lock	BNT5395	Star Drag	BNT6098	Drive Shaft
BNT1696	Cast Control Spacer	BNT5503	O Ring	BNT6100	Pinion Gear
BNT2127	Star Drag Spacer	BNT5609	Screw	BNT6101	Yoke
BNT2224	Spool Tension Spacer	BNT5640	Screw	BNT6102	Clutch Cam
BNT2396	Roller Clutch Bearing	BNT5641	Handle Nut Plate	BNT6104	Clutch Guard Assembly
BNT3208	Star Drag Click Plate	BNT5654	Idle Gear	BNT6358	Line Guide Assembly
BNT4124	Star Drag Spring	BNT5659	Idle Gear	BNT6359	Spool Assembly
BNT4130	Drag Washer	BNT5661	Level Wind Guard	BNT6370	Screw
BNT4343	Ball Bearing	BNT5689	Worm Shaft	BNT6371	Click Ring
BNT4729	O Ring	BNT5713	Handle Knob Seal	BNT6373	Cam Lever Retainer
BNT4868	Key Washer	BNT5714	Screw	BNT6374	Stabilizer Bar
BNT4874	Pawl Cap	BNT5729	Washer	BNT6376	Cast Control Cap
BNT4903	Star Drag Nut	BNT5731	Spacer	BNT6383	Brake Dial
BNT4911	Clutch Pawl Assembly	BNT5742	Washer	BNT6386	Right Side Plate Assembly
BNT4932	Click Spring	BNT5779	Screw	BNT6388	Screw
BNT5264	Anti-Reverse Ratchet	BNT5903	Washer	BNT6389	Right Side Plate
BNT5308	Washer	BNT5904	Bearing Retainer	BNT6392	Right Side Plate Cam Lever
BNT5310	Idle Gear Pin	BNT5905	Spool Shaft Spacer	BNT6393	Frame
BNT5316	Click Pin	BNT5906	Screw	BNT6394	Level Wind Protector
BNT5319	Bearing Retainer	BNT5920	Screw	BNT6395	Clutch Button
BNT5320	O Ring	BNT5932	Screw	BNT6396	Clutch Plate
BNT5327	Idle Gear Spring	BNT5933	Roller Clutch Inner Tube	BNT6397	Clutch Bar Guide B
BNT5329	Drive Shaft Retainer	BNT5942	Yoke Spring	BNT6398	Clutch Bar Guide A
BNT5334	Bushing	BNT5944	Screw	BNT6402	Washer
BNT5346	Spacer B	BNT5945	Clutch Cam Retainer	BNT6411	Handle Assembly
BNT5362	Clutch Pawl Spring	BNT5948	Screw	BNT6505	B Side Plate Substrate
BNT5372	Drive Gear	BNT5951	Screw		
BNT5376	Drag Spring Washer	BNT5952	Screw		
BNT5380	Drag Washer	BNT5969	Bearing Seal	BNT4692	B-100 Oil (Accessory)