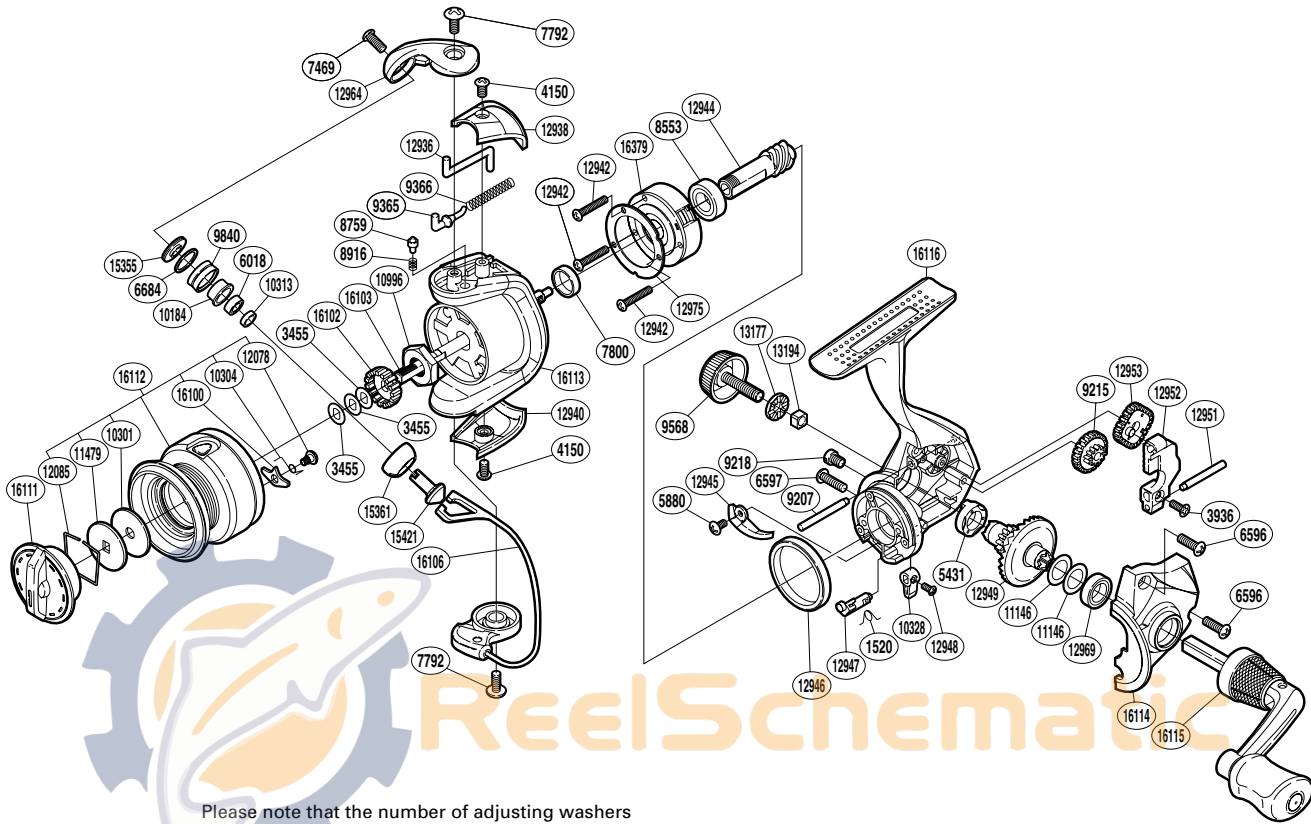


SHIMANO

SAHARA

SH-500FE



Please note that the number of adjusting washers may not be the same as shown in the exploded views. (Adjustment will vary with each individual product.)

(51SE640504U)

Part No.	Description	Part No.	Description	Part No.	Description
RD 1520	Anti-Reverse Cam Spring	RD 9840	Line Roller	RD12952	Oscillating Slider
RD 3455	Spool Washer	RD10184	Line Roller Bushing	RD12953	Oscillating Gear
RD 3936	Screw	RD10301	Drag Washer	RD12964	Bail Arm
RD 4150	Screw	RD10304	Drag Click Spring	RD12969	Ball Bearing
RD 5431	Drive Gear Bushing	RD10313	Bearing Spacer	RD12975	Roller Clutch Reinforce
RD 5880	Screw	RD10328	Anti-Reverse Lever	RD13177	Handle Screw Cap Spacer
RD 6018	Ball Bearing	RD10996	Rotor Nut	RD13194	Handle Screw Lock
RD 6596	Screw	RD11146	Washer	RD15355	Line Roller Washer
RD 6597	Screw	RD11479	Key Washer	RD15361	Line Roller Support Cover
RD 6684	Line Roller Spacer	RD12078	Screw	RD15421	Line Roller Support
RD 7469	Screw	RD12085	Drag Washers Retainer	RD16100	Drag Click
RD 7792	Screw	RD12936	Bail Trip Lever	RD16102	Spool Support
RD 7800	Rotor Ring	RD12938	Bail Spring Cover	RD16103	Main Shaft
RD 8553	Ball Bearing	RD12940	Bail Hold Support Guard	RD16106	Bail Assembly
RD 8759	Click Pin	RD12942	Screw	RD16111	Drag Knob
RD 8916	Click Spring	RD12944	Pinion Gear	RD16112	Spool Assembly
RD 9207	Oscillating Guide A	RD12945	Bail Trip Strike	RD16113	Rotor
RD 9215	Idle Gear	RD12946	Friction Ring	RD16114	Side Cover
RD 9218	Oil Cap	RD12947	Anti-Reverse Cam	RD16115	Handle Assembly
RD 9365	Bail Spring Guide	RD12948	Screw	RD16116	Body
RD 9366	Bail Spring	RD12949	Drive Gear	RD16379	Roller Clutch Assembly
RD 9568	Handle Screw Cap	RD12951	Oscillating Guide B		