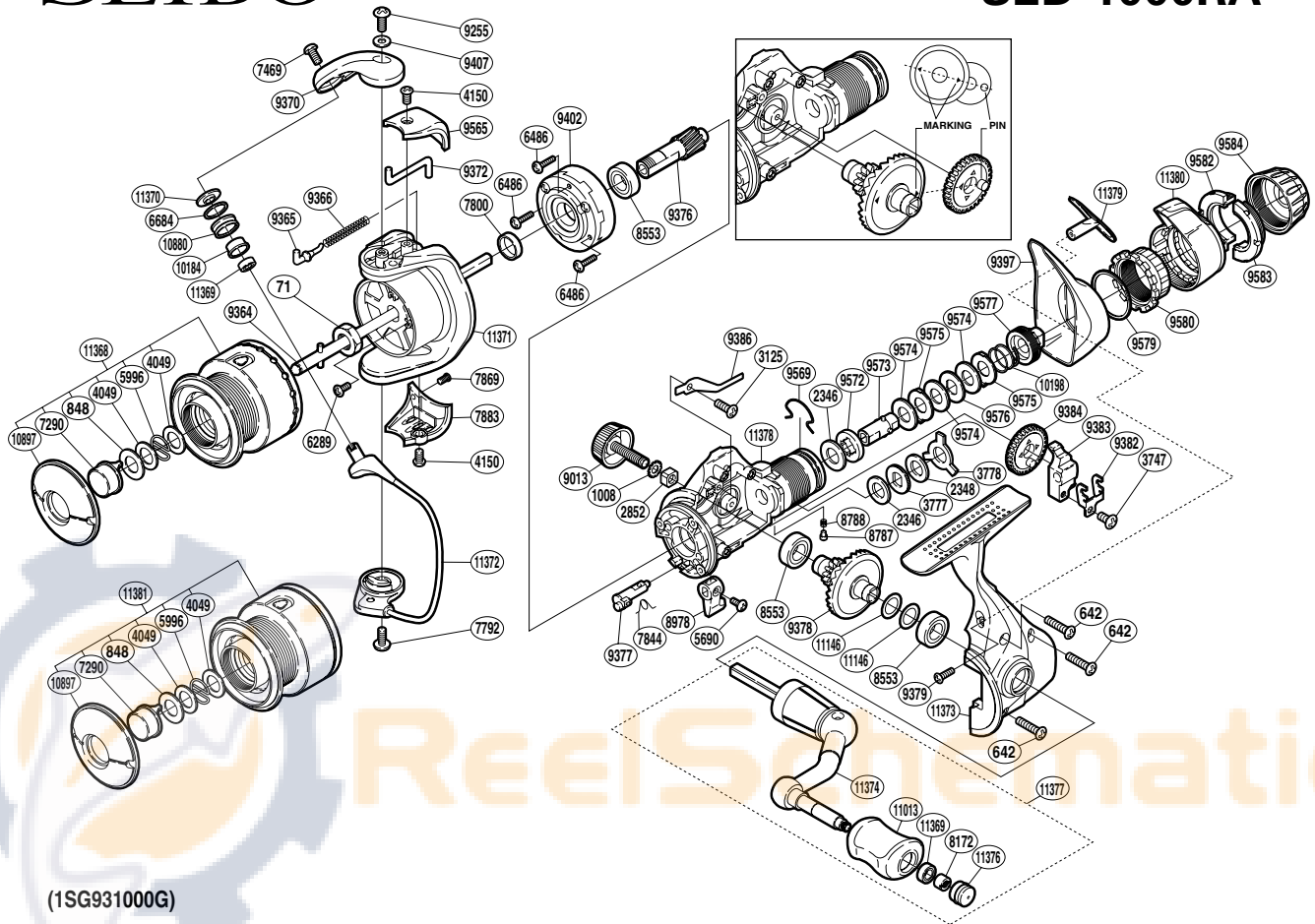


SHIMANO

SEIDO

SED-1000RA



(1SG931000G)

Part No.	Description	Part No.	Description	Part No.	Description
RD 0071	Rotor Nut	RD 8787	Click Pin	RD 9576	Key Washer
RD 0642	Screw	RD 8788	Click Spring	RD 9577	Pressure Screw
RD 0848	Washer	RD 8978	Anti-Reverse Lever	RD 9579	Fightin' Pressure Screw Washer
RD 1008	Handle Lock Washer	RD 9013	Handle Screw Cap	RD 9580	Fightin' Pressure Screw
RD 2346	Drag Washer	RD 9255	Screw	RD 9582	Drag Programmer B1
RD 2348	Drag Washer	RD 9364	Main Shaft	RD 9583	Drag Programmer B2
RD 2852	Handle Screw Lock	RD 9365	Bail Spring Guide	RD 9584	Drag Programmer A
RD 3125	Screw	RD 9366	Bail Spring	RD10184	Line Roller Bushing
RD 3747	Screw	RD 9370	Bail Arm	RD10198	Drag Coil Spring
RD 3777	Click Gear	RD 9372	Bail Trip Lever	RD10880	Line Roller
RD 3778	Eared Washer	RD 9376	Pinion Gear	RD10897	Push Button Collar
RD 4049	Washer	RD 9377	Anti-Reverse Cam	RD11013	Handle Knob
RD 4150	Screw	RD 9378	Drive Gear	RD11146	Washer
RD 5690	Screw	RD 9379	Screw	RD11368	Spool Assembly
RD 5996	Locking Spring	RD 9382	Oscillating Slider Retainer	RD11369	Ball Bearing
RD 6289	Screw	RD 9383	Oscillating Slider	RD11370	Line Roller Washer
RD 6486	Screw	RD 9384	Oscillating Gear	RD11371	Rotor
RD 6684	Line Roller Spacer	RD 9386	Drag Click	RD11372	Bail Assembly
RD 7290	Push Button	RD 9397	Rear Protector B	RD11373	Side Cover
RD 7469	Screw	RD 9402	Roller Clutch Assembly	RD11374	Handle Shank Assembly
RD 7792	Screw	RD 9407	Washer	RD11376	Handle Knob Seal
RD 7800	Rotor Ring	RD 9565	Bail Spring Cover	RD11377	Handle Assembly
RD 7844	Anti-Reverse Cam Spring	RD 9569	Hold Click Spring	RD11378	Body
RD 7869	Screw	RD 9572	Drag Shaft B	RD11379	Rear Protector A
RD 7883	Bail Hold Support Guard	RD 9573	Drag Shaft A	RD11380	Fightin' Lever
RD 8172	Handle Knob Nut	RD 9574	Drag Washer		
RD 8553	Ball Bearing	RD 9575	Eared Washer	RD11381	Spare Spool Assembly