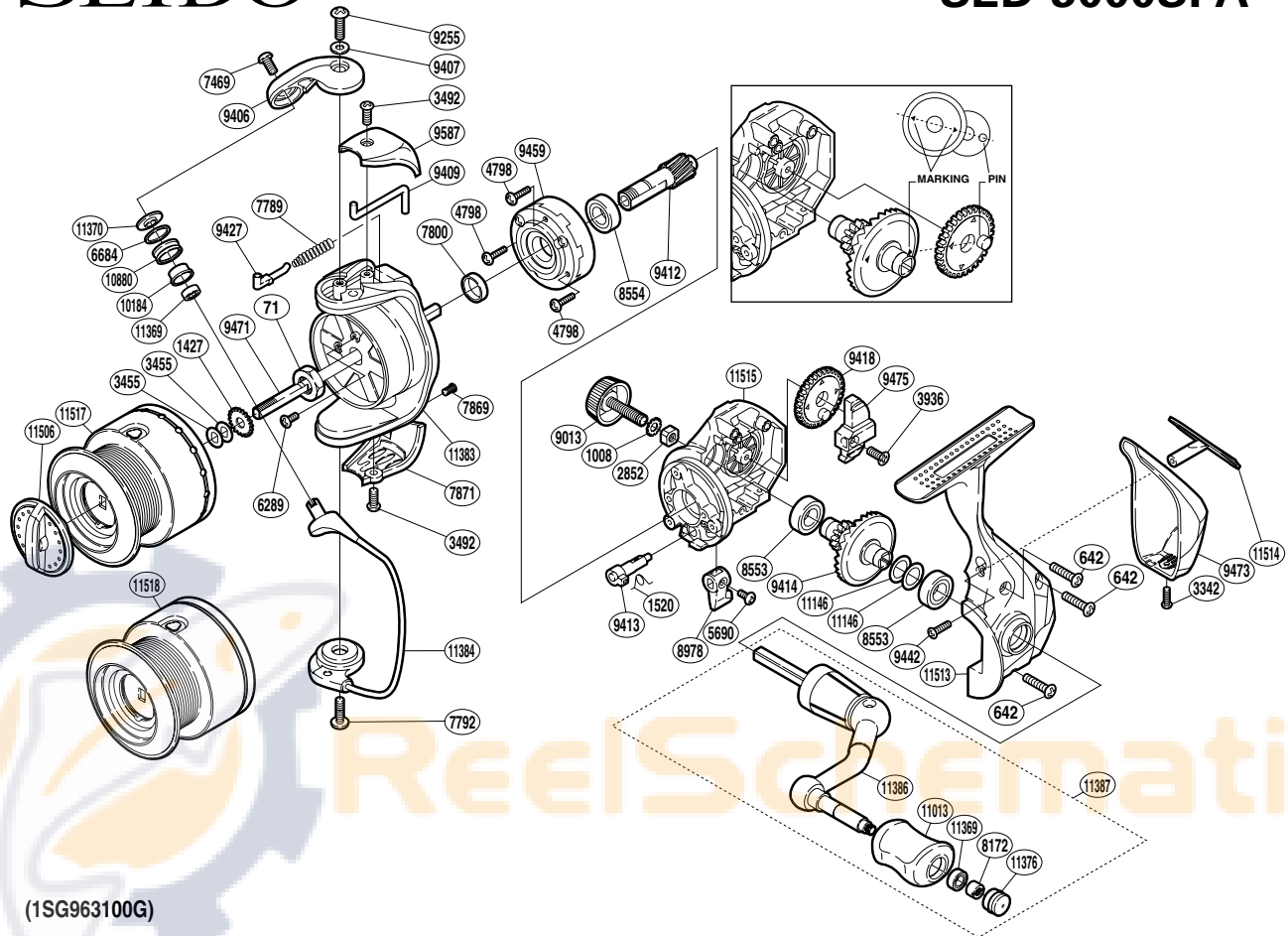


# SHIMANO

## SEIDO

## SED-3000SFA



(1SG963100G)

Part No.	Description	Part No.	Description	Part No.	Description
RD 0071	Rotor Nut	RD 8172	Handle Knob Nut	RD10184	Line Roller Bushing
RD 0642	Screw	RD 8553	Ball Bearing	RD10880	Line Roller
RD 1008	Handle Lock Washer	RD 8554	Ball Bearing	RD11013	Handle Knob
RD 1427	Spool Support	RD 8978	Anti-Reverse Lever	RD11146	Washer
RD 1520	Anti-Reverse Cam Spring	RD 9013	Handle Screw Cap	RD11369	Ball Bearing
RD 2852	Handle Screw Lock	RD 9255	Screw	RD11370	Line Roller Washer
RD 3342	Screw	RD 9406	Bail Arm	RD11376	Handle Knob Seal
RD 3455	Spool Washer	RD 9407	Washer	RD11383	Rotor
RD 3492	Screw	RD 9409	Bail Trip Lever	RD11384	Bail Assembly
RD 3936	Screw	RD 9412	Pinion Gear	RD11386	Handle Shank Assembly
RD 4798	Screw	RD 9413	Anti-Reverse Cam	RD11387	Handle Assembly
RD 5690	Screw	RD 9414	Drive Gear	RD11506	Drag Knob
RD 6289	Screw	RD 9418	Oscillating Gear	RD11513	Side Cover
RD 6684	Line Roller Spacer	RD 9427	Bail Spring Guide	RD11514	Rear Protector A
RD 7469	Screw	RD 9442	Screw	RD11515	Body
RD 7789	Bail Spring	RD 9459	Roller Clutch Assembly	RD11517	Spool Assembly
RD 7792	Screw	RD 9471	Main Shaft		
RD 7800	Rotor Ring	RD 9473	Rear Protector B		
RD 7869	Screw	RD 9475	Oscillating Slider		
RD 7871	Bail Hold Support Guard	RD 9587	Bail Spring Cover	RD11518	Spare Spool Assembly