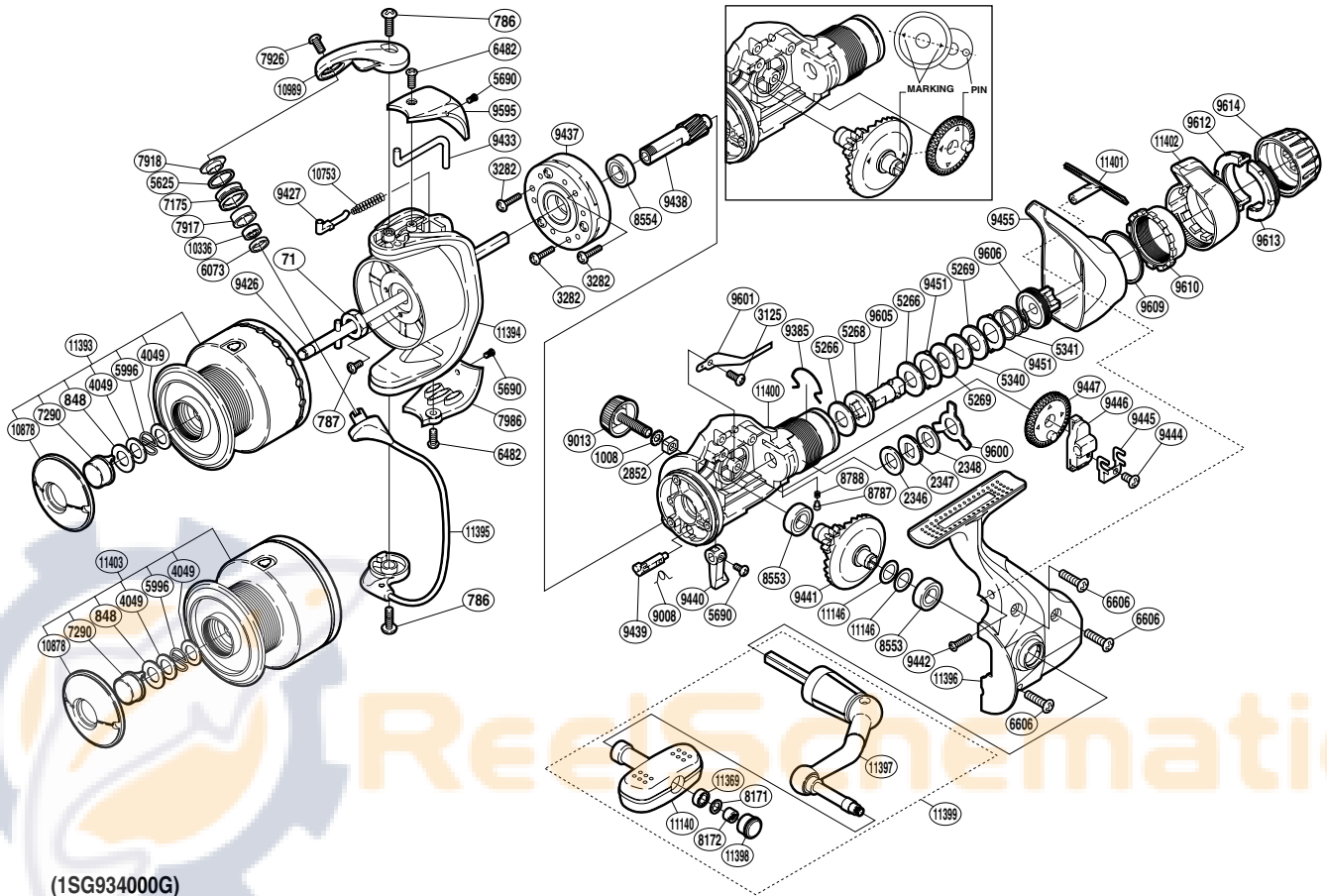


SHIMANO

SEIDO

SED-4000RA



(1SG934000G)

Part No.	Description	Part No.	Description	Part No.	Description
RD 0071	Rotor Nut	RD 7986	Bail Hold Support Guard	RD 9605	Drag Shaft A
RD 0786	Screw	RD 8171	Washer	RD 9606	Pressure Screw
RD 0787	Screw	RD 8172	Handle Knob Nut	RD 9609	Fightin' Pressure Screw Washer
RD 0848	Washer	RD 8553	Ball Bearing	RD 9610	Fightin' Pressure Screw
RD 1008	Handle Lock Washer	RD 8554	Ball Bearing	RD 9612	Drag Programmer B1
RD 2346	Drag Washer	RD 8787	Click Pin	RD 9613	Drag Programmer B2
RD 2347	Click Gear	RD 8788	Click Spring	RD 9614	Drag Programmer A
RD 2348	Drag Washer	RD 9008	Anti-Reverse Cam Spring	RD10753	Bail Spring
RD 2852	Handle Screw Lock	RD 9013	Handle Screw Cap	RD10878	Push Button Collar
RD 3125	Screw	RD 9385	Hold Click Spring	RD10989	Bail Arm
RD 3282	Screw	RD 9426	Main Shaft	RD11140	Handle Knob
RD 4049	Washer	RD 9427	Bail Spring Guide	RD11146	Washer
RD 5266	Drag Washer	RD 9433	Bail Trip Lever	RD11336	Ball Bearing
RD 5268	Drag Shaft B	RD 9437	Roller Clutch Assembly	RD11369	Ball Bearing
RD 5269	Drag Washer	RD 9438	Pinion Gear	RD11393	Spool Assembly
RD 5340	Key Washer	RD 9439	Anti-Reverse Cam	RD11394	Rotor
RD 5341	Drag Coil Spring	RD 9440	Anti-Reverse Lever	RD11395	Bail Assembly
RD 5625	Line Roller Spacer	RD 9441	Drive Gear	RD11396	Side Cover
RD 5690	Screw	RD 9442	Screw	RD11397	Handle Shank Assembly
RD 5996	Locking Spring	RD 9444	Screw	RD11398	Handle Knob Seal
RD 6073	Bearing Spacer	RD 9445	Oscillating Slider Retainer	RD11399	Handle Assembly
RD 6482	Screw	RD 9446	Oscillating Slider	RD11400	Body
RD 6606	Screw	RD 9447	Oscillating Gear	RD11401	Rear Protector A
RD 7175	Line Roller	RD 9451	Eared Washer	RD11402	Fightin' Lever
RD 7290	Push Button	RD 9455	Rear Protector B		
RD 7917	Line Roller Bushing	RD 9595	Bail Spring Cover		
RD 7918	Line Roller Washer	RD 9600	Eared Washer		
RD 7926	Screw	RD 9601	Drag Click	RD11403	Spare Spool Assembly