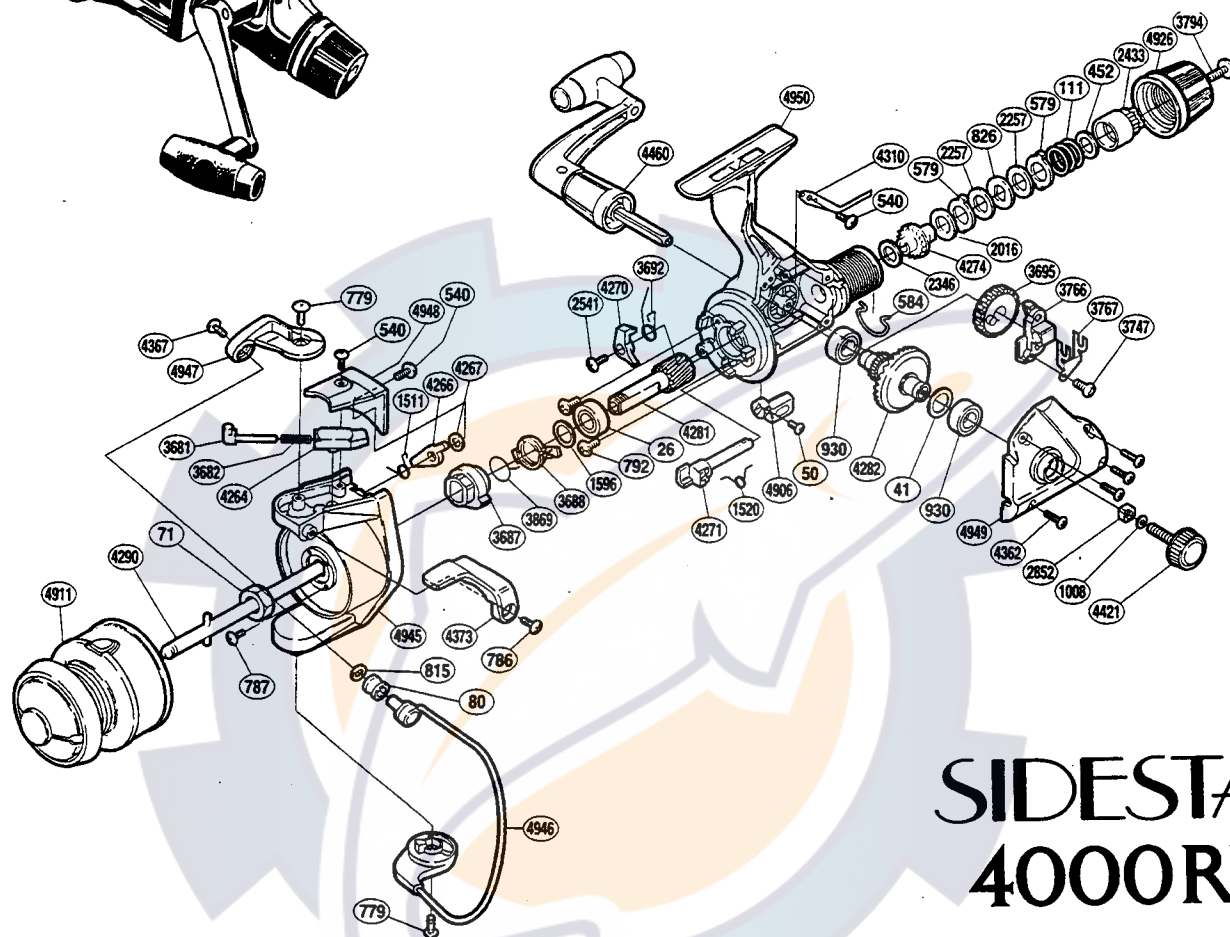


# SHIMAN

## 1997 Repair Supplen



# SIDESTAB 4000RB 97

### SI 4000 RB

Part #	Description	Part #	Description	Part #	Description
RD 0026	Ball Bearing	RD 2016	Drag Washer (H) Cloth	RD 4271	Anti-Reverse Cam
RD 0041	Drive Gear Washer	RD 2257	Drag Washer (H) Blue	RD 4274	Drag Shaft
RD 0050	Anti-Reverse Lever Screw	RD 2346	Drag Washer (C) Cloth	RD 4281	Pinion Gear
RD 0071	Rotor Nut	RD 2433	Pressure Screw	RD 4282	Drive Gear
RD 0080	Line Roller	RD 2541	Anti-Reverse Pawl Screw	RD 4290	Main Shaft
RD 0111	Drag Coil Spring	RD 2852	Handle Screw Lock	RD 4310	Drag Click
RD 0452	Drag Spring Washer	RD 3681	Bail Spring Guide (A)	RD 4362	Side Cover Screw
RD 0540	Multi-Purpose Screw	RD 3682	Bail Spring	RD 4367	Line Roller Screw
RD 0579	Eared Washer (B)	RD 3687	Anti-Reverse Ratchet	RD 4373	Quick-Fire II Trigger
RD 0584	Hold Click Spring	RD 3688	Anti-Reverse Lock Out	RD 4421	Handle Screw Cap
RD 0779	Multi-Purpose Screw	RD 3692	Anti-Reverse Pawl Spring	RD 4460	Handle Assembly
RD 0786	Trigger Screw	RD 3695	Oscillating Gear	RD 4906	Anti-Reverse Lever
RD 0787	Nut Lock Screw	RD 3747	Slider Retainer Screw	RD 4911	Spool Assembly
RD 0792	Bearing Retainer Screw	RD 3766	Oscillating Slider	RD 4926	Drag Knob
RD 0815	Line Roller Washer	RD 3767	Oscillating Slider Retainer	RD 4945	Rotor
RD 0826	Key Washer (A)	RD 3794	Drag Knob Screw	RD 4946	Bail Assembly
RD 0930	Ball Bearing	RD 3869	Anti-Reverse Lock Out Spring	RD 4947	Bail Arm
RD 1008	Handle Lock Washer	RD 4264	Bail Spring Guide (B)	RD 4948	Bail Spring Cover
RD 1511	Lever Spring	RD 4266	Bail Trip Lever	RD 4949	Side Cover
RD 1520	Anti-Reverse Cam Spring	RD 4267	Bail Trip Lever Washer	RD 4950	Body
RD 1596	Bushing Washer	RD 4270	Anti-Reverse Pawl		