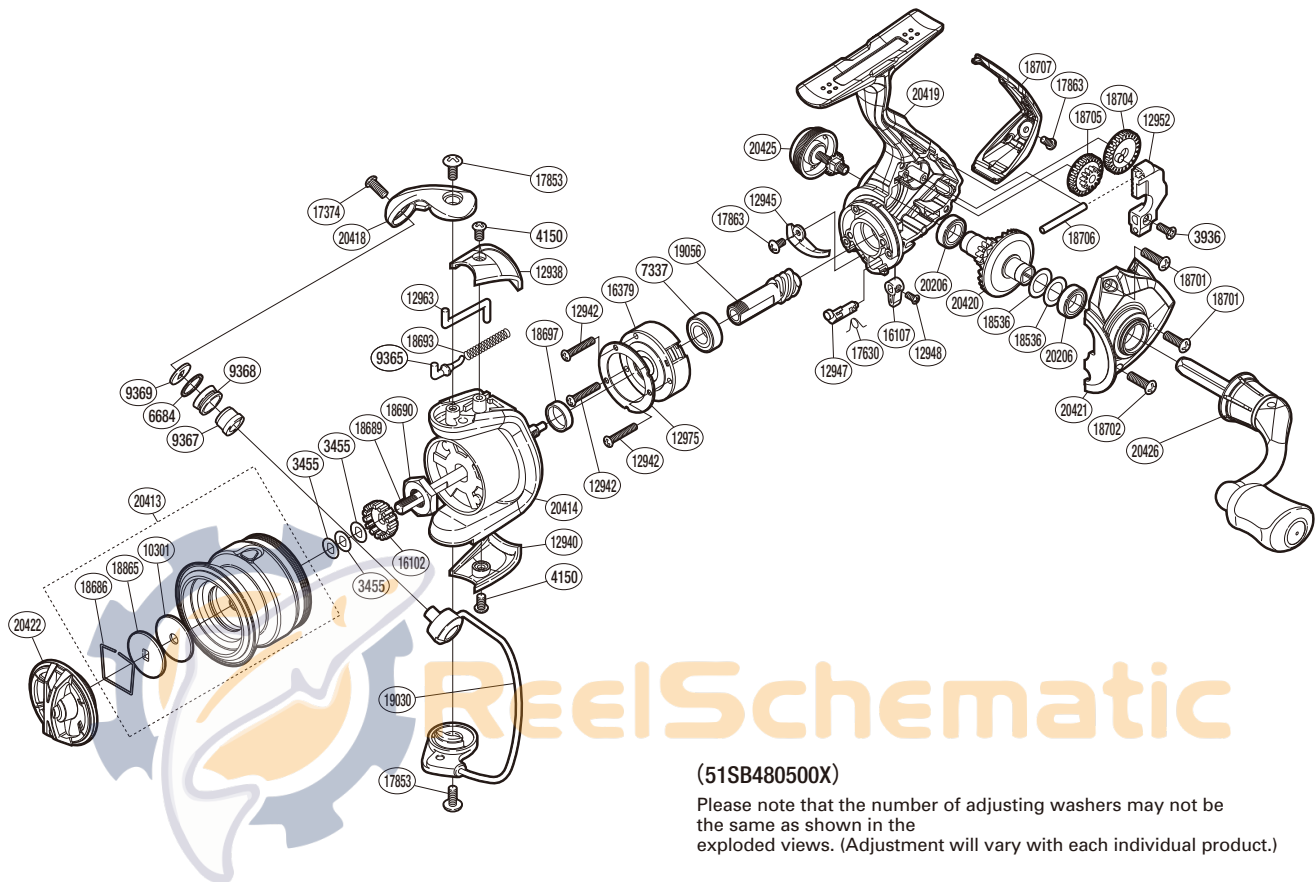


SHIMANO

SIENNA

SN500FG



(51SB480500X)

Please note that the number of adjusting washers may not be the same as shown in the exploded views. (Adjustment will vary with each individual product.)

Part No.	Description	Part No.	Description	Part No.	Description
RD 3455	Spool Washer	RD12963	Bail Trip Lever	RD18704	Oscillating Gear
RD 3936	Screw	RD12975	Roller Clutch Reinforce	RD18705	Idle Gear B Large
RD 4150	Screw	RD16102	Spool Support	RD18706	Oscillating Guide
RD 6684	Line Roller Spacer	RD16107	Anti-reverse Lever	RD18707	Rear Protector
RD 7337	Ball Bearing	RD16379	Roller Clutch Assembly	RD18865	Key Washer
RD 9365	Bail Spring Guide	RD17374	Screw	RD19030	Bail Assembly
RD 9367	Line Roller Bushing	RD17630	Anti-reverse Cam Spring	RD19056	Pinion Gear
RD 9368	Line Roller	RD17853	Screw	RD20206	Ball Bearing
RD 9369	Line Roller Washer	RD17863	Screw	RD20413	Spool Assembly
RD10301	Drag Washer	RD18536	Washer	RD20414	Rotor
RD12938	Bail Spring Cover	RD18686	Drag Washers Retainer	RD20418	Bail Arm
RD12940	Bail Hold Support Guard	RD18689	Main Shaft	RD20419	Body
RD12942	Screw	RD18690	Rotor Nut	RD20420	Drive Gear
RD12945	Bail Trip Strike	RD18693	Bail Spring	RD20421	Side Cover
RD12947	Anti-reverse Cam	RD18697	Rotor Ring	RD20422	Drag Knob
RD12948	Screw	RD18701	Screw	RD20425	Handle Screw Cap
RD12952	Oscillating Slider	RD18702	Screw	RD20426	Handle Assembly