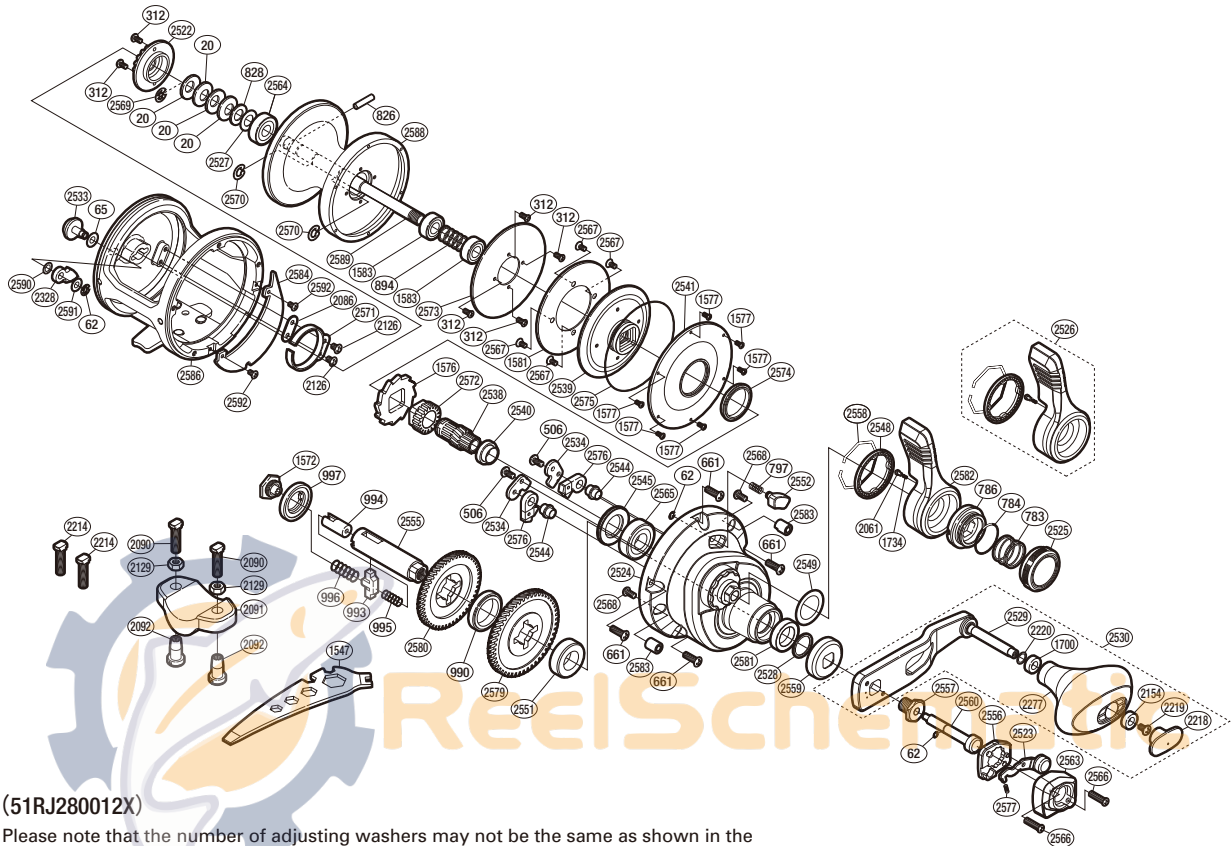


SHIMANO

SpeedMaster S A-RB

SPM12II



(51RJ280012X)

Please note that the number of adjusting washers may not be the same as shown in the exploded views. (Adjustment will vary with each individual product.)

Part No.	Description	Part No.	Description	Part No.	Description
TGT0020	Preload Spring	TGT2277	Handle Knob	TGT2568	Screw
TGT0062	E Lock	TGT2328	Click Pawl	TGT2569	E Lock
TGT0065	Washer	TGT2522	Click Gear Assembly	TGT2570	C-lock
TGT0312	Screw	TGT2523	Slide Plate	TGT2571	Click Spring
TGT0506	Screw	TGT2524	Right Side Plate Assembly	TGT2572	Pinion Gear B
TGT0661	Screw	TGT2525	Pre-program Dial Assembly	TGT2573	Drag Washer
TGT0783	Dial Spring	TGT2527	Washer	TGT2574	Waterproof Ring
TGT0784	Body O Seal	TGT2528	Washer	TGT2575	O Ring
TGT0786	Lever Shaft Body	TGT2529	Handle Shank Assembly	TGT2576	Anti Reverse Pawl
TGT0797	Pressure Spring	TGT2530	Handle Assembly	TGT2577	Slide Plate Spring
TGT0826	Cross Pin	TGT2533	Click Button	TGT2579	Drive Gear A
TGT0828	Washer	TGT2534	Anti Reverse Pawl Keeper	TGT2580	Drive Gear B
TGT0894	Pressure Release Spring	TGT2538	Pinion Gear A	TGT2581	Drive Gear Bushing
TGT0990	Drive Gear Washer C	TGT2539	Pinion Guard	TGT2582	Drag Control Lever
TGT0993	Gear Select Cross Bar	TGT2540	Pinion Gear Collar	TGT2583	Bolt Shield
TGT0994	Cross Bar Stop	TGT2541	Cooling Shield	TGT2584	Set Plate Sticker
TGT0995	Drive Shaft Spring B	TGT2544	Anti Reverse Pawl Pin	TGT2586	Frame Assembly
TGT0996	Drive Shaft Spring	TGT2545	Bearing Waterproof Seal	TGT2588	Spool
TGT0997	Drive Gear Washer A	TGT2548	Click Plate	TGT2589	Spool Shaft
TGT1572	Drive Shaft Screw	TGT2549	Lever Thrust Washer	TGT2590	Washer
TGT1576	Anti Reverse Ratchet	TGT2551	Drive Shaft Bushing	TGT2591	Washer
TGT1577	Screw	TGT2552	Strike Stop	TGT2592	Screw
TGT1581	Drag Plate	TGT2555	Drive Shaft		
TGT1583	Ball Bearing	TGT2556	Handle Nut Plate	TGT2526	Drag Control Lever Mono Assembly
TGT1700	Handle Knob Bushing	TGT2557	Handle Bolt		
TGT1734	Click Spring	TGT2558	Click Plate Retainer	TGT2090	Rod Clamp Bolt (Accessory)
TGT2061	Lever Click	TGT2559	Drive Shaft Shield	TGT2129	Rod Clamp Nut B (Accessory)
TGT2086	Click Spring Washer	TGT2560	Push Low Button Shaft	TGT2091	Rod Clamp (Accessory)
TGT2126	Screw	TGT2563	Push Button Shield	TGT2092	Rod Clamp Nut A (Accessory)
TGT2154	Handle Knob Bushing A	TGT2564	Ball Bearing	TGT2214	Rod Clamp Bolt (Accessory)
TGT2218	Handle Knob Seal	TGT2565	Ball Bearing		
TGT2219	Screw	TGT2566	Screw		
TGT2220	Washer	TGT2567	Screw	TGT1547	Wrench