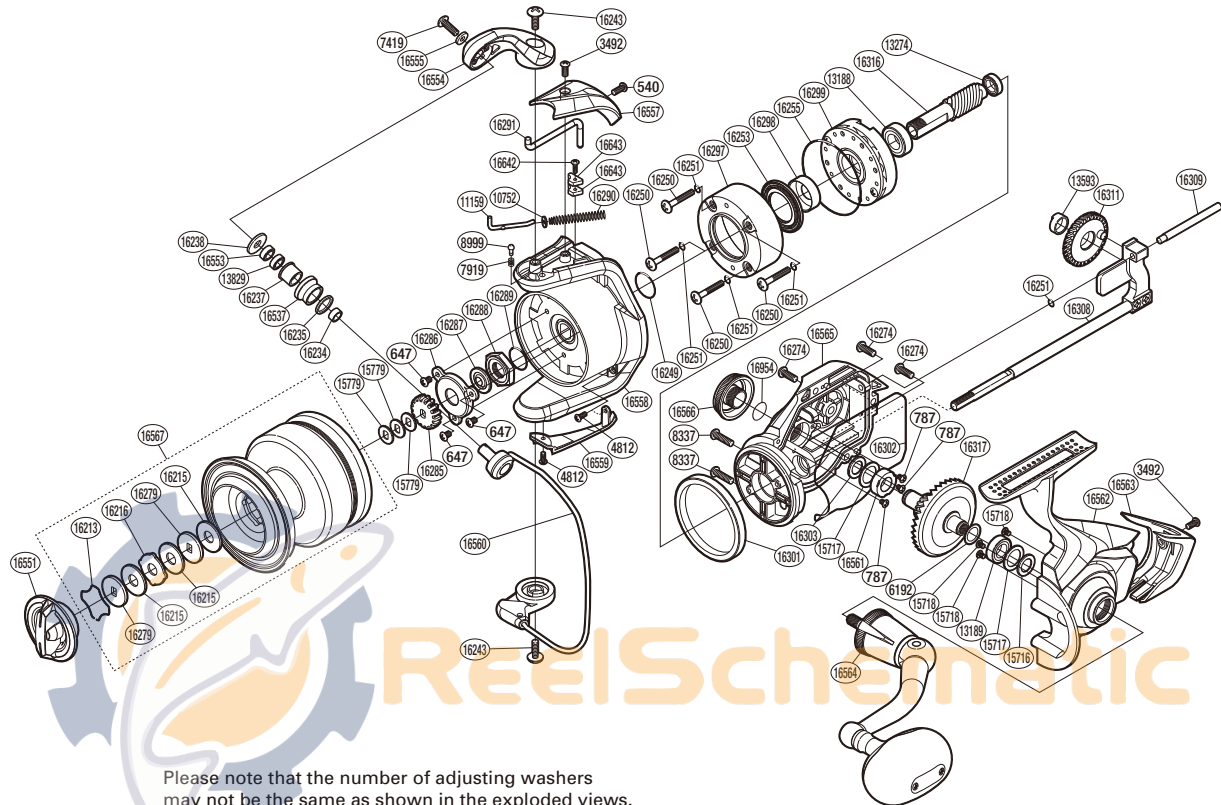


SHIMANO

SPHEROS A-RB

14SP10000SW



Please note that the number of adjusting washers may not be the same as shown in the exploded views. (Adjustment will vary with each individual product.)

(51SD958504G)

Part No.	Description	Part No.	Description	Part No.	Description
RD 0540	Screw	RD16235	Line Roller Spacer	RD16309	Oscillating Guide
RD 0647	Screw	RD16237	Line Roller Bushing	RD16311	Oscillating Gear
RD 0787	Screw	RD16238	Line Roller Washer	RD16316	Pinion Gear
RD 3492	Screw	RD16243	O Ring	RD16317	Drive Gear
RD 4812	Screw	RD16249	O Ring	RD16537	Line Roller
RD 6192	Washer	RD16250	Screw	RD16551	Drag Knob
RD 7419	Screw	RD16251	O Ring	RD16553	Line Roller Collar B
RD 7919	Click Spring	RD16253	Roller Clutch Water Proof	RD16554	Bail Arm
RD 8337	Screw	RD16255	O Ring	RD16555	Counter Weight
RD 8999	Click Pin	RD16274	Screw	RD16557	Bail Spring Cover
RD10752	Spring Guide A Support	RD16279	Key Washer	RD16558	Rotor
RD11159	Bail Spring Guide A	RD16285	Spool Support	RD16559	Bail Hold Support Guard
RD13188	Ball Bearing	RD16286	Nut Lock Plate	RD16560	Bail Assembly
RD13189	Ball Bearing	RD16287	Bearing Water Proof	RD16561	Drive Gear Bushing
RD13274	Ball Bearing	RD16288	Rotor Nut	RD16562	Side Cover
RD13593	Oscillating Gear Bushing	RD16289	O Ring	RD16563	Rear Protector
RD13829	Ball Bearing	RD16290	Bail Spring	RD16564	Handle Assembly
RD15716	Bearing Water Proof	RD16291	Bail Trip Lever	RD16565	Body
RD15717	Washer	RD16297	Roller Clutch Water Proof Cover	RD16566	Handle Screw Cap
RD15718	Screw	RD16298	Rotor Ring	RD16567	Spool Assembly
RD15779	Spool Washer	RD16299	Roller Clutch Assembly	RD16642	Screw
RD16213	Drag Washers Retainer	RD16301	Friction Ring	RD16643	Counter Weight B
RD16215	Drag Washer	RD16302	Body Seal	RD16954	O Ring
RD16216	Eared Washer	RD16303	Bearing Water Proof		
RD16234	Line Roller Collar	RD16308	Main Shaft Assembly		