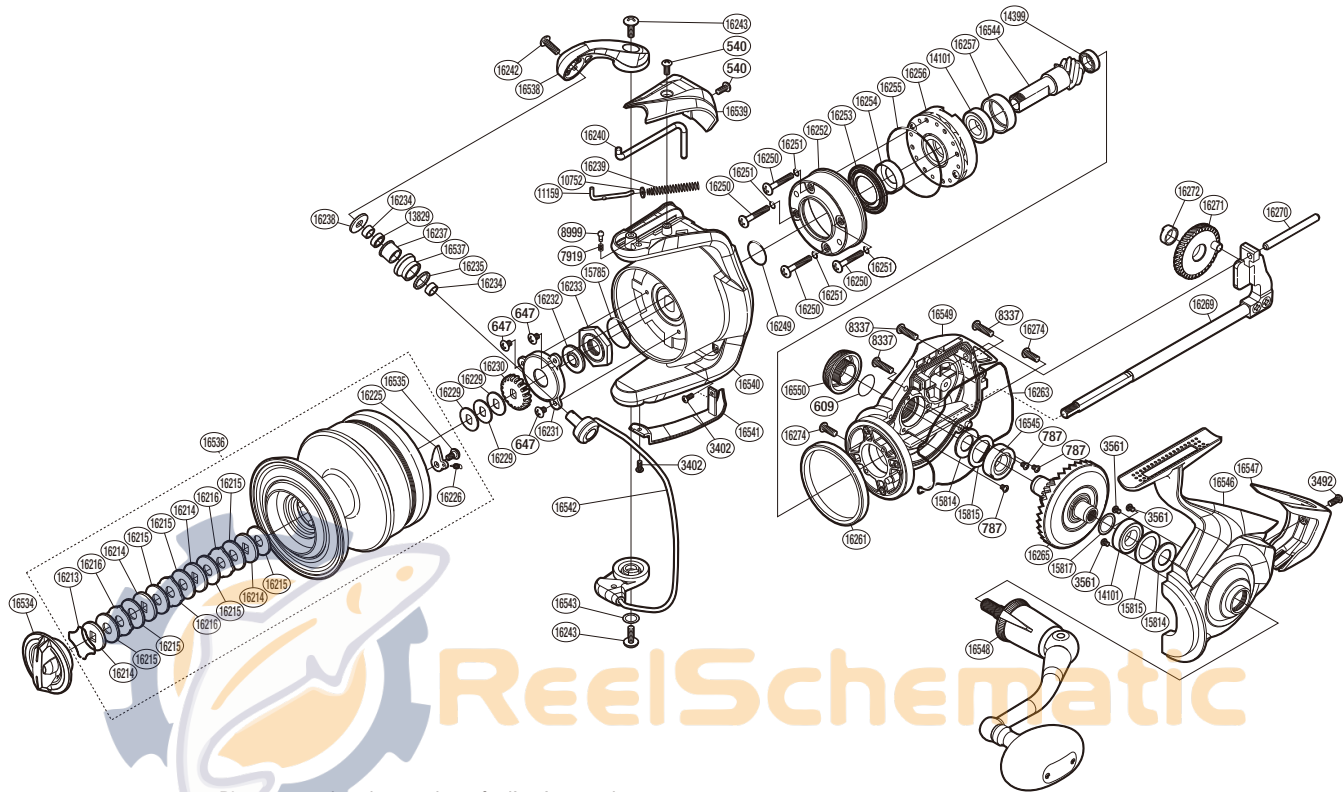


SHIMANO

SPHEROS S A-RB

14SP20000SW



Please note that the number of adjusting washers may not be the same as shown in the exploded views. (Adjustment will vary with each individual product.)

(51SD959904G)

Part No.	Description	Part No.	Description	Part No.	Description
RD 0540	Screw	RD16226	Drag Click Spring	RD16263	Body Seal
RD 0609	O Ring	RD16229	Spool Support Washer	RD16265	Drive Gear
RD 0647	Screw	RD16230	Spool Support	RD16269	Main Shaft Assembly
RD 0787	Screw	RD16231	Nut Lock Plate	RD16270	Oscillating Guide
RD 3402	Screw	RD16232	Bearing Water Proof	RD16271	Oscillating Gear
RD 3492	Screw	RD16233	Rotor Nut	RD16272	Oscillating Gear Bushing
RD 3561	Screw	RD16234	Line Roller Collar	RD16274	Screw
RD 7919	Click Spring	RD16235	Line Roller Spacer	RD16534	Drag Knob
RD 8337	Screw	RD16237	Line Roller Bushing	RD16535	Screw
RD 8999	Click Pin	RD16238	Line Roller Washer	RD16536	Spool Assembly
RD10752	Spring Guide A Support	RD16239	Bail Spring	RD16537	Line Roller
RD11159	Bail Spring Guide A	RD16240	Bail Trip Lever	RD16538	Bail Arm
RD13829	Ball Bearing	RD16242	Screw	RD16539	Bail Spring Cover
RD14101	Ball Bearing	RD16243	Screw	RD16540	Rotor
RD14399	Ball Bearing	RD16249	O Ring	RD16541	Bail Hold Support Guard
RD15785	O Ring	RD16250	Screw	RD16542	Bail Assembly
RD15814	Bearing Water Proof	RD16251	O Ring	RD16543	Washer
RD15815	Washer	RD16252	Roller Clutch Water Proof Cover	RD16544	Pinion Gear
RD15817	Washer	RD16253	Roller Clutch Water Proof	RD16545	Drive Gear Bushing
RD16213	Drag Washers Retainer	RD16254	Rotor Ring	RD16546	Side Cover
RD16214	Key Washer	RD16255	O Ring	RD16547	Rear Protector
RD16215	Drag Washer	RD16256	Roller Clutch Assembly	RD16548	Handle Assembly
RD16216	Eared Washer	RD16257	Bearing Housing	RD16549	Body
RD16225	Drag Click	RD16261	Friction Ring	RD16550	Handle Screw Cap