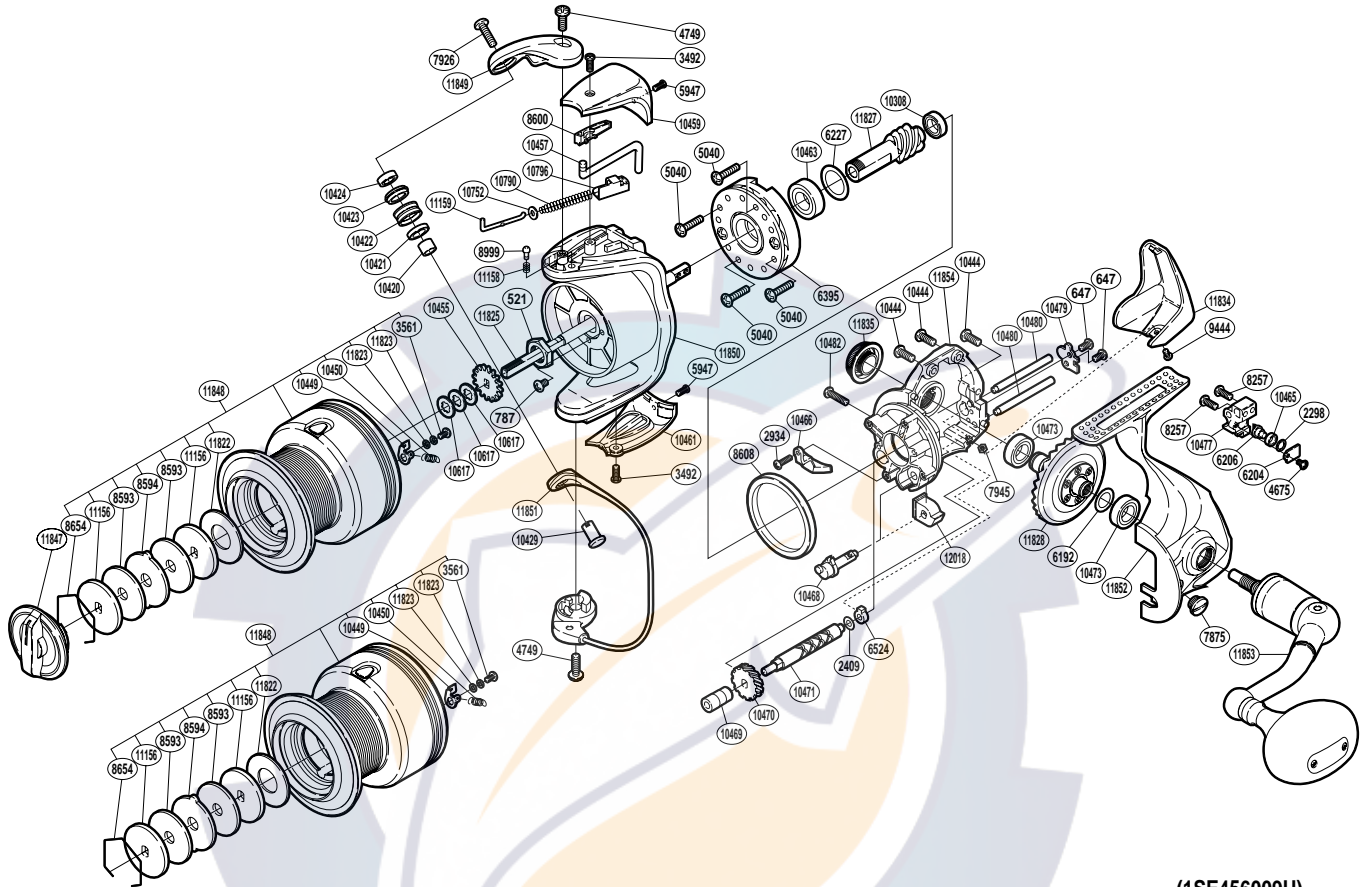


# SHIMANO

STRADIC 

ST-6000FI



(1SE456009U)

| Part No. | Description            | Part No. | Description                | Part No. | Description              |
|----------|------------------------|----------|----------------------------|----------|--------------------------|
| RD 0521  | Rotor Nut              | RD 8654  | Drag Washers Retainer      | RD10479  | Worm Shaft Retainer      |
| RD 0647  | Screw                  | RD 8999  | Click Pin                  | RD10480  | Oscillating Guide        |
| RD 0787  | Screw                  | RD 9444  | Screw                      | RD10482  | Screw                    |
| RD 2298  | Spacer                 | RD10308  | Ball Bearing               | RD10617  | Spool Washer             |
| RD 2409  | Spacer                 | RD10420  | Bearing Spacer             | RD10752  | Spring Guide A Support   |
| RD 2934  | Screw                  | RD10421  | Line Roller Collar         | RD10790  | Bail Spring              |
| RD 3492  | Screw                  | RD10422  | Line Roller                | RD10796  | Bail Spring Seat         |
| RD 3561  | Screw                  | RD10423  | Line Roller Bushing        | RD11156  | Key Washer               |
| RD 4675  | Screw                  | RD10424  | Ball Bearing               | RD11158  | Click Spring             |
| RD 4749  | Screw                  | RD10429  | Line Roller Support        | RD11159  | Bail Spring Guide A      |
| RD 5040  | Screw                  | RD10444  | Screw                      | RD11822  | Drag Washer              |
| RD 5947  | Screw                  | RD10449  | Drag Click                 | RD11823  | Drag Click Collar        |
| RD 6192  | Washer                 | RD10450  | Click Spring               | RD11825  | Main Shaft               |
| RD 6204  | Oscillating Pawl Cover | RD10455  | Spool Support              | RD11827  | Pinion Gear              |
| RD 6206  | Oscillating Pawl       | RD10457  | Bail Trip Lever            | RD11828  | Drive Gear               |
| RD 6227  | Washer                 | RD10459  | Bail Spring Cover          | RD11834  | Rear Protector           |
| RD 6395  | Roller Clutch Assembly | RD10461  | Rotor Side Cover           | RD11835  | Handle Screw Cap         |
| RD 6524  | Worm Bushing (rear)    | RD10463  | Ball Bearing               | RD11847  | Drag Knob                |
| RD 7875  | Oil Cap                | RD10465  | Oscillating Slider Bushing | RD11848  | Spool Assembly           |
| RD 7926  | Screw                  | RD10466  | Bail Trip Strike           | RD11849  | Bail Arm                 |
| RD 7945  | Nut                    | RD10468  | Anti-Reverse Cam           | RD11850  | Rotor                    |
| RD 8257  | Screw                  | RD10469  | Worm Bushing (front)       | RD11851  | Bail Assembly            |
| RD 8593  | Drag Washer            | RD10470  | Idle Gear                  | RD11852  | Side Cover               |
| RD 8594  | Eared Washer           | RD10471  | Worm Shaft                 | RD11853  | Handle Assembly          |
| RD 8600  | Bail Trip Cover        | RD10473  | Ball Bearing               | RD11854  | Body                     |
| RD 8608  | Friction Ring          | RD10477  | Oscillating Slider         | RD12018  | Anti-Reverse Lever Cover |

(190720)