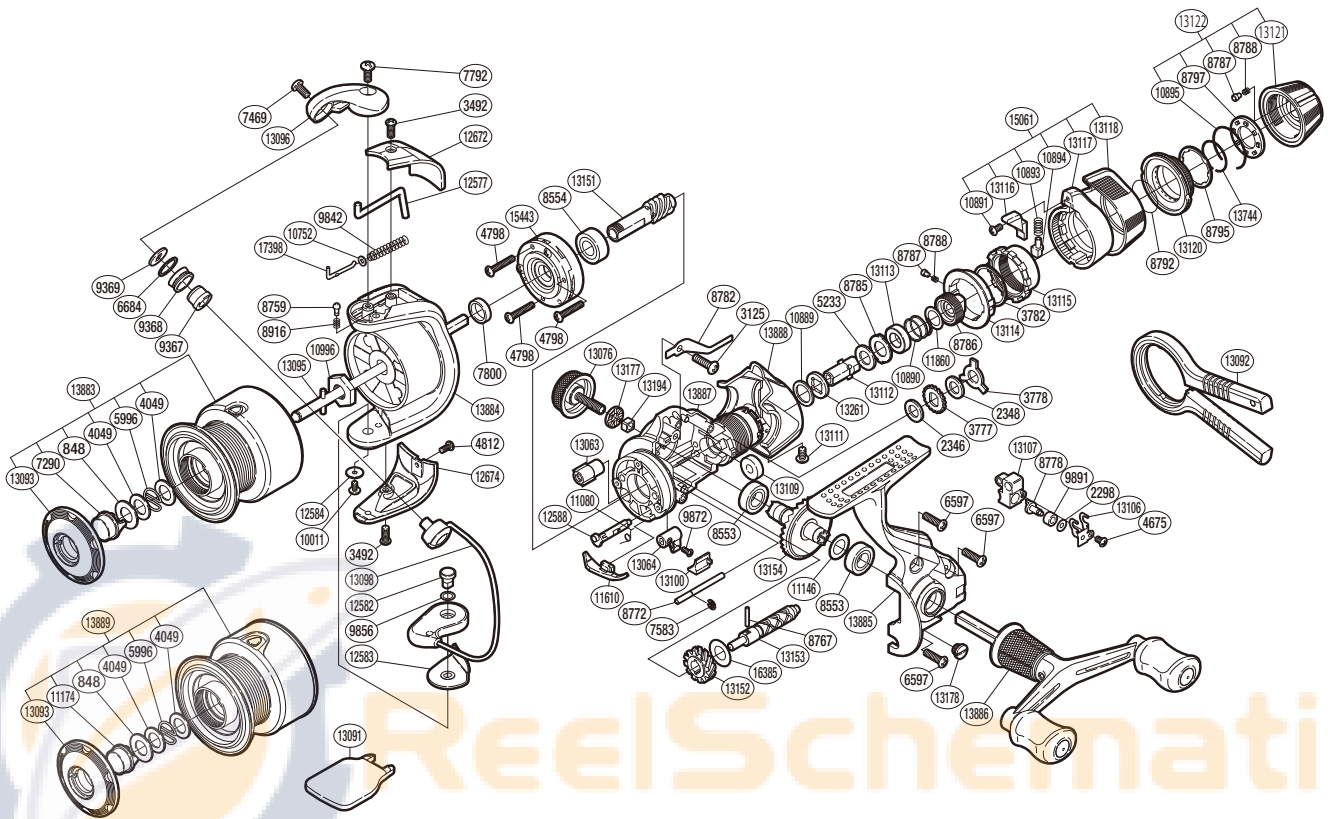


SHIMANO

SUPER

SUP-2500GTMRC



(51SG472503G)

Please note that the number of adjusting washers may not be the same as shown in the exploded views. (Adjustment will vary with each individual product.)

| Part No. | Description | Part No. | Description | Part No. | Description |
|----------|--------------------------------|----------|-----------------------------|----------|-------------------------------|
| RD 0848 | Washer | RD 9367 | Line Roller Bushing | RD13109 | Drag Shaft C |
| RD 2298 | Spacer | RD 9368 | Line Roller | RD13111 | Screw |
| RD 2346 | Drag Washer | RD 9369 | Line Roller Washer | RD13112 | Drag Shaft A |
| RD 2348 | Drag Washer | RD 9842 | Bail Spring | RD13113 | Drag Collar |
| RD 3125 | Screw | RD 9856 | Washer | RD13114 | Lever Click Gear |
| RD 3492 | Screw | RD 9872 | Screw | RD13115 | Fightin' Pressure Screw |
| RD 3777 | Click Gear | RD 9891 | Oscillating Slider Bushing | RD13116 | Fightin' Lever Inner B |
| RD 3778 | Eared Washer | RD10011 | Screw | RD13117 | Fightin' Lever Inner A |
| RD 3782 | Fightin' Pressure Screw Washer | RD10752 | Spring Guide A Support | RD13118 | Fightin' Lever Outer |
| RD 4049 | Washer | RD10889 | Drag Washer | RD13120 | Drag Programmer B |
| RD 4675 | Screw | RD10890 | Drag Coil Spring | RD13121 | Drag Programmer A |
| RD 4798 | Screw | RD10891 | Screw | RD13122 | Drag Programmer Assembly |
| RD 4812 | Screw | RD10893 | Position Pin Spring | RD13151 | Pinion Gear |
| RD 5233 | Drag Washer | RD10894 | Lever Position Pin | RD13152 | Idle Gear |
| RD 5996 | Locking Spring | RD10895 | Click Plate Retainer | RD13153 | Worm Shaft |
| RD 6597 | Screw | RD10996 | Rotor Nut | RD13154 | Drive Gear |
| RD 6684 | Line Roller Spacer | RD11080 | Anti-Reverse Cam Spring | RD13177 | Handle Screw Cap Spacer |
| RD 7290 | Push Button | RD11146 | Washer | RD13178 | Oil Cap |
| RD 7469 | Screw | RD11610 | Bail Trip Strike | RD13194 | Handle Screw Lock |
| RD 7583 | E Lock | RD11860 | Washer | RD13261 | Drag Shaft B |
| RD 7792 | Screw | RD12577 | Bail Trip Lever | RD13744 | Drag Knob Retainer |
| RD 7800 | Rotor Ring | RD12582 | Bail Hold Support Shaft | RD13883 | Spool Assembly |
| RD 8553 | Ball Bearing | RD12583 | Bail Hold Support Spacer | RD13884 | Rotor |
| RD 8554 | Ball Bearing | RD12584 | Washer | RD13885 | Side Cover |
| RD 8759 | Click Pin | RD12588 | Anti-Reverse Cam | RD13886 | Double Paddle Handle Assembly |
| RD 8767 | Worm Shaft Pin | RD12672 | Bail Spring Cover | RD13887 | Body |
| RD 8772 | Oscillating Guide | RD12674 | Bail Hold Support Guard | RD13888 | Rear Protector |
| RD 8778 | Oscillating Pawl | RD13063 | Worm Bushing | RD15061 | Fightin' Lever Assembly |
| RD 8782 | Drag Click | RD13064 | Anti-Reverse Lever | RD15443 | Roller Clutch Assembly |
| RD 8785 | Eared Washer | RD13076 | Handle Screw Cap | RD16385 | Washer |
| RD 8786 | Pressure Screw | RD13093 | Push Button Collar | RD17398 | Bail Spring Guide A |
| RD 8787 | Click Pin | RD13095 | Main Shaft | | |
| RD 8788 | Click Spring | RD13096 | Bail Arm | RD11174 | Push Button |
| RD 8792 | Drag Knob Friction Ring | RD13098 | Bail Assembly | RD13889 | Spare Spool Assembly |
| RD 8795 | Drag Knob Washer | RD13100 | Anti-Reverse Lever Cover | | |
| RD 8797 | Click Plate | RD13106 | Oscillating Slider Retainer | RD13091 | Spool Wrench (accessory) |
| RD 8916 | Click Spring | RD13107 | Oscillating Slider | RD13092 | Knob Wrench (accessory) |