

**SHIMANO**

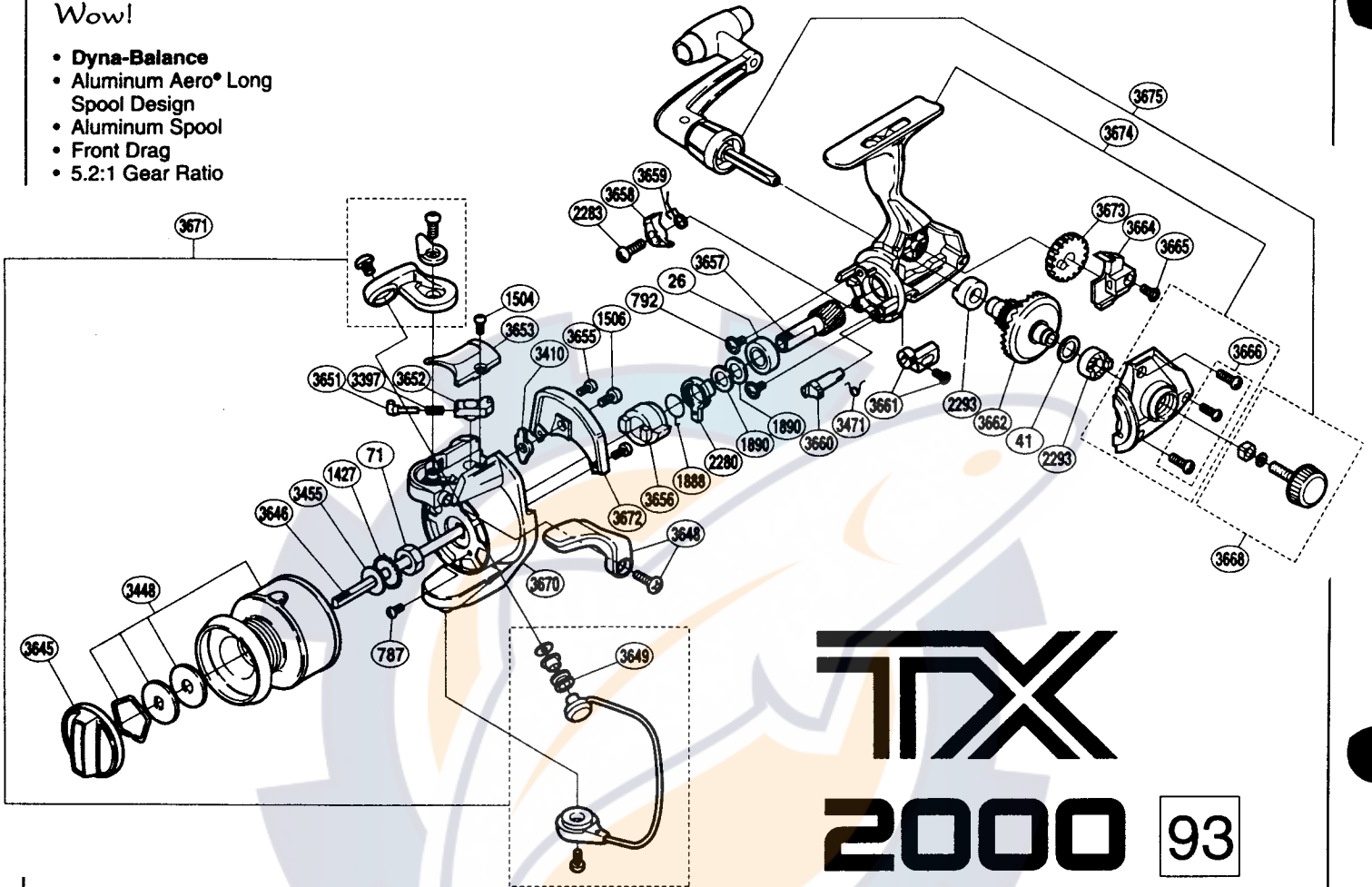
**TTS**  
TOTAL TECHNICAL SUPPORT

1993 SUPPLEMENT

TX Spinning Reels

Wow!

- Dyna-Balance
- Aluminum Aero® Long Spool Design
- Aluminum Spool
- Front Drag
- 5.2:1 Gear Ratio



# TX

## 2000

93

**EXPLODED PARTS VIEW**

MODEL NO	LINE / CAPACITY	GEAR RATIO	WT (OZ)	BEARINGS
TX-2000F	6/170,8/120,10/100	5.2:1	9.0	1

Sometimes something just seems to be too good to be true. This is certainly the case with the TX. TX is our lowest priced DynaBalance™ reel. As if this alone were not enough, TX is also built with a die-cast aluminum spool, one stainless steel ball bearing, QuickFire II® self-centering bail, the No-Fail Bail® spring, an oversized line guide roller, and a smooth oil impregnated felt front drag. The TX is a dream come true. Never before has such a fine piece of equipment been available at such an incredible price!

