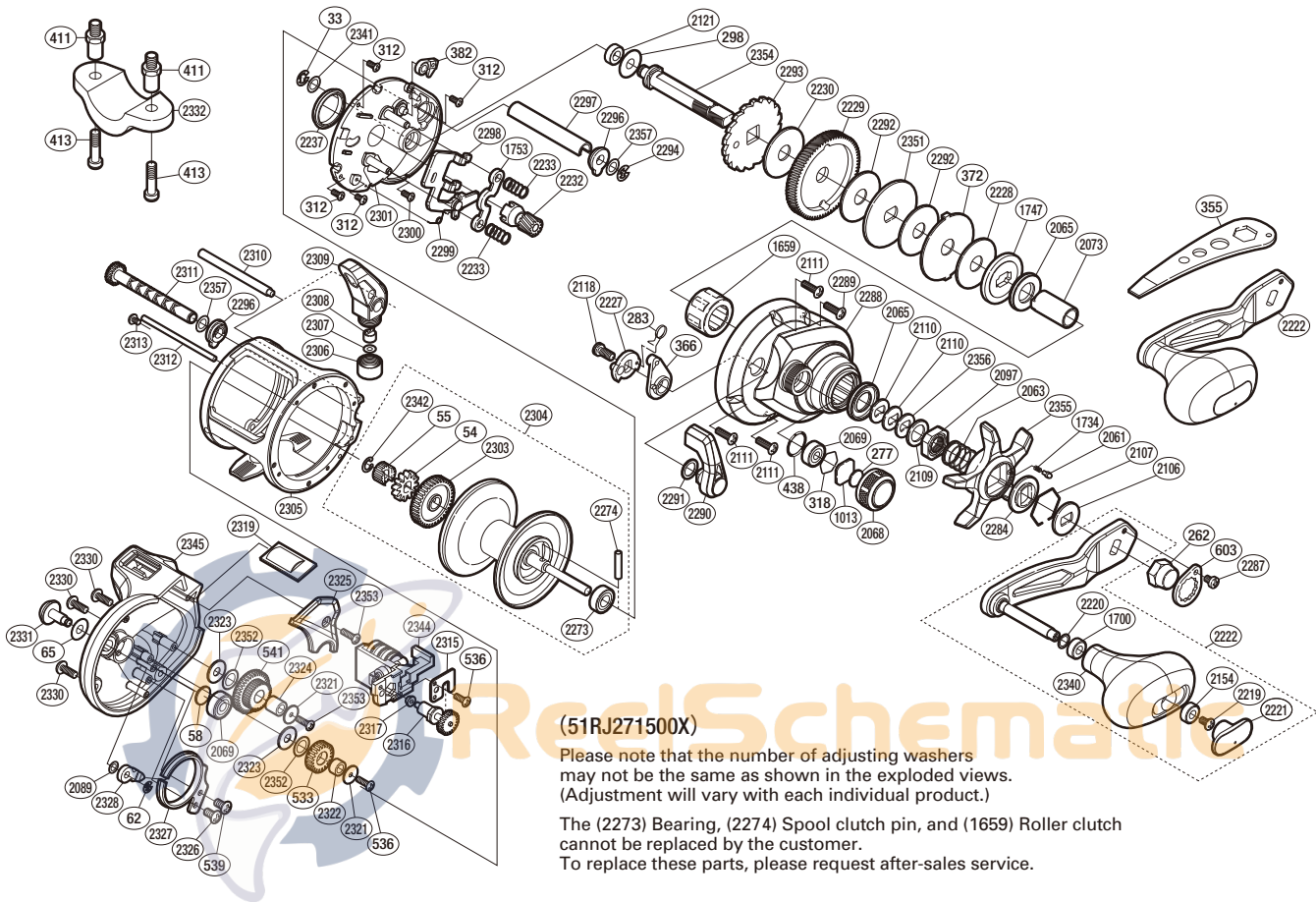


SHIMANO

TEKOTA S A-RB

TEK500HGLCA



(51RJ271500X)

Please note that the number of adjusting washers may not be the same as shown in the exploded views. (Adjustment will vary with each individual product.)

The (2273) Bearing, (2274) Spool clutch pin, and (1659) Roller clutch cannot be replaced by the customer. To replace these parts, please request after-sales service.

Part No.	Description	Part No.	Description	Part No.	Description
TGT0033	E Lock	TGT2110	Coned Disc Spring (8h)	TGT2308	Line Guide Pawl
TGT0054	Click Gear	TGT2111	Screw	TGT2309	Line Guide Pawl Holder Assembly
TGT0055	Idle Gear A	TGT2118	Screw	TGT2310	Stabilizer Bar A
TGT0058	Spacer B	TGT2121	Drive Shaft Bushing	TGT2311	Worm Shaft Unit
TGT0062	E Lock	TGT2154	Handle Knob Bushing A	TGT2312	Stabilizer Bar B
TGT0065	Spacer A	TGT2219	Screw	TGT2313	Screw
TGT0262	Handle Nut	TGT2220	Washer	TGT2315	Counter Frame Plate
TGT0277	Cast Control Spacer	TGT2221	Handle Knob Seal	TGT2316	Counter Gear Assembly
TGT0283	Clutch Spring	TGT2222	Handle Assembly	TGT2317	Bushing
TGT0298	Washer	TGT2227	Clutch Cam Assembly	TGT2319	Counter Lens Assembly
TGT0312	Screw	TGT2228	Drag Washer D	TGT2321	Idle Gear B Spacer B
TGT0318	Bearing Retainer	TGT2229	Drive Gear	TGT2322	Idle Gear B Support
TGT0366	Eccentric Cam Bushing	TGT2230	Drag Washer A	TGT2323	Idle Gear B Spacer A
TGT0372	Eared Washer (E)	TGT2232	Pinion Gear	TGT2324	Idle Gear D Support
TGT0382	Anti-Reverse Pawl	TGT2233	Yoke Spring	TGT2325	Left Side Plate Seal
TGT0438	O Ring	TGT2237	Frame Center Seal	TGT2326	Screw
TGT0533	Idle Gear B	TGT2273	Ball Bearing	TGT2327	Click Spring
TGT0536	Screw	TGT2274	Spool Clutch Pin	TGT2328	Click Pawl
TGT0539	Screw	TGT2284	Star Drag Click Plate	TGT2330	Screw
TGT0541	Idle Gear D	TGT2287	Screw	TGT2331	Click Button
TGT0603	Handle Nut Plate	TGT2288	Right Side Plate Assembly	TGT2340	Handle Knob
TGT1013	Spool Tension Spacer	TGT2289	Screw	TGT2341	Washer
TGT1659	Roller Clutch Bearing	TGT2290	Clutch Lever Unit	TGT2342	Idle Gear Retainer
TGT1700	Handle Knob Bushing	TGT2291	Smoother	TGT2344	Counter Unit Assembly
TGT1734	Click Spring	TGT2292	Drag Washer (B)	TGT2345	Left Side Plate
TGT1747	Pressure Plate	TGT2293	Anti-Reverse Ratchet	TGT2351	Key Washer (C)
TGT1753	Yoke	TGT2294	E Lock	TGT2352	Washer
TGT2061	Click Pin (B)	TGT2296	Worm Bushing A	TGT2353	Screw
TGT2063	Star Drag Spring	TGT2297	Level Wind Guard	TGT2354	Drive Shaft
TGT2065	Roller Clutch Water Proof	TGT2298	Clutch Plate Assembly	TGT2355	Star Drag
TGT2068	Cast Control Cap	TGT2299	Clutch Pawl Spring	TGT2356	Washer
TGT2069	Ball Bearing	TGT2300	Screw	TGT2357	Washer
TGT2073	Roller Clutch Inner Tube	TGT2301	Right Side Plate Set Assembly		
TGT2089	Washer	TGT2303	Counter Gear A	TGT0411	Rod Clamp Nut (Accessory)
TGT2097	Star Drag Nut	TGT2304	Spool Assembly	TGT0413	Rod Clamp Bolt (Accessory)
TGT2106	Drive Shaft Shield	TGT2305	Frame	TGT2332	Rod Clamp (Accessory)
TGT2107	Click Plate Retainer	TGT2306	Pawl Cap		
TGT2109	Star Drag Spacer	TGT2307	Washer	TGT0355	Wrench (Accessory)