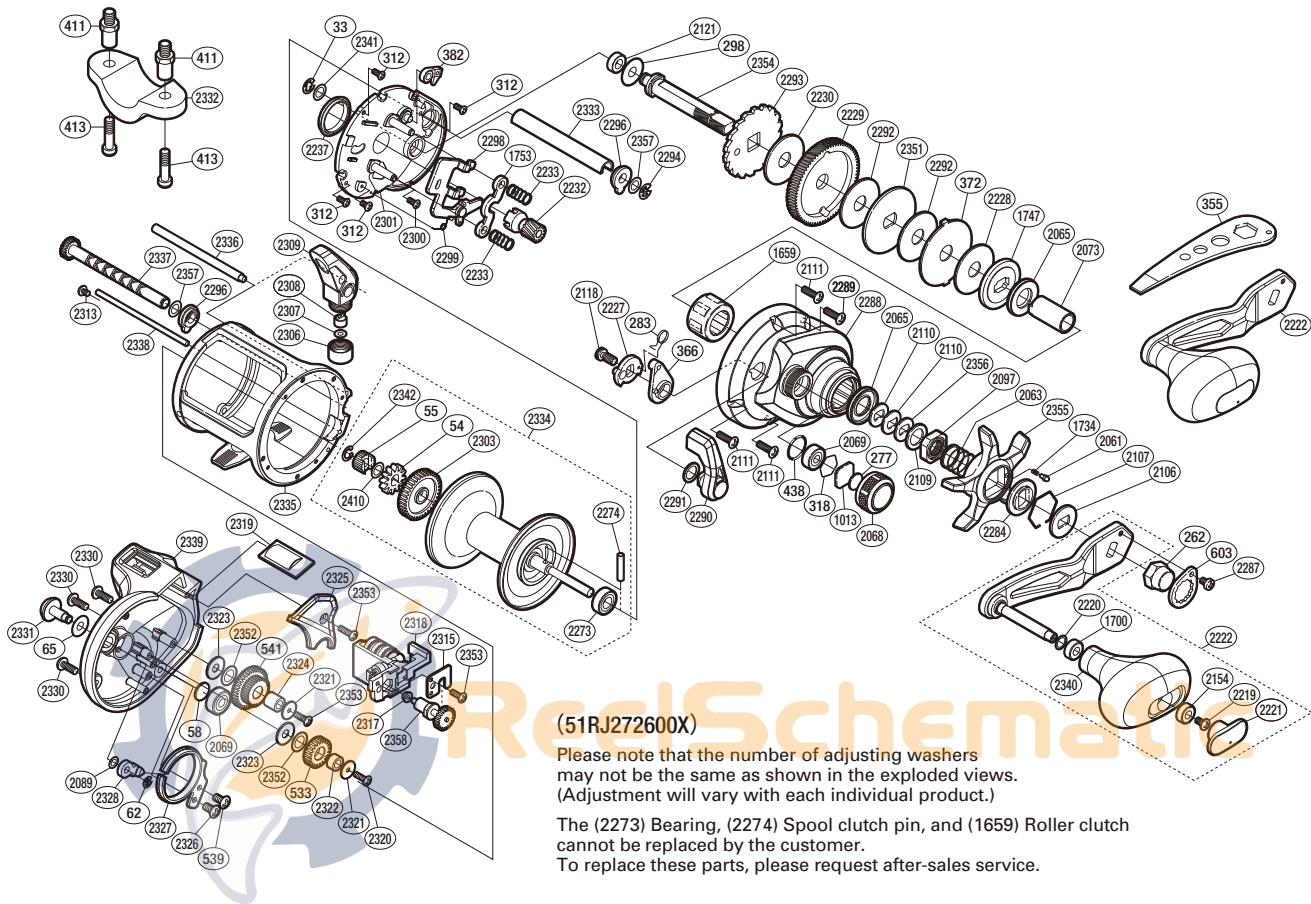


SHIMANO

TEKOTA SA-RB

TEK600HGLCMA



(51RJ272600X)

Please note that the number of adjusting washers may not be the same as shown in the exploded views. (Adjustment will vary with each individual product.)

The (2273) Bearing, (2274) Spool clutch pin, and (1659) Roller clutch cannot be replaced by the customer. To replace these parts, please request after-sales service.

Part No.	Description	Part No.	Description	Part No.	Description
TGT0033	E Lock	TGT2118	Screw	TGT2319	Counter Lens Assembly
TGT0054	Click Gear	TGT2121	Drive Shaft Bushing	TGT2320	Screw
TGT0055	Idle Gear A	TGT2154	Handle Knob Bushing A	TGT2321	Idle Gear B Spacer B
TGT0058	Spacer B	TGT2219	Screw	TGT2322	Idle Gear B Support
TGT0062	E Lock	TGT2220	Washer	TGT2323	Idle Gear B Spacer A
TGT0065	Spacer A	TGT2221	Handle Knob Seal	TGT2324	Idle Gear D Support
TGT0262	Handle Nut	TGT2222	Handle Assembly	TGT2325	Left Side Plate Seal
TGT0277	Cast Control Spacer	TGT2227	Clutch Cam Assembly	TGT2326	Screw
TGT0283	Clutch Spring	TGT2228	Drag Washer D	TGT2327	Click Spring
TGT0298	Washer	TGT2229	Drive Gear	TGT2328	Click Pawl
TGT0312	Screw	TGT2230	Drag Washer A	TGT2330	Screw
TGT0318	Bearing Retainer	TGT2232	Pinion Gear	TGT2331	Click Button
TGT0366	Eccentric Cam Bushing	TGT2233	Yoke Spring	TGT2333	Level Wind Guard
TGT0372	Eared Washer (E)	TGT2237	Frame Center Seal	TGT2334	Spool Assembly
TGT0382	Anti-Reverse Pawl	TGT2273	Ball Bearing	TGT2335	Frame
TGT0438	O Ring	TGT2274	Spool Clutch Pin	TGT2336	Stabilizer Bar A
TGT0533	Idle Gear B	TGT2284	Star Drag Click Plate	TGT2337	Worm Shaft Unit
TGT0539	Screw	TGT2287	Screw	TGT2338	Stabilizer Bar B
TGT0541	Idle Gear D	TGT2288	Right Side Plate Assembly	TGT2339	Left Side Plate
TGT0603	Handle Nut Plate	TGT2289	Screw	TGT2340	Handle Knob
TGT1013	Spool Tension Spacer	TGT2290	Clutch Lever Unit	TGT2341	Washer
TGT1659	Roller Clutch Bearing	TGT2291	Smoother	TGT2342	Idle Gear Retainer
TGT1700	Handle Knob Bushing	TGT2292	Drag Washer (B)	TGT2351	Key Washer (C)
TGT1734	Click Spring	TGT2293	Anti-Reverse Ratchet	TGT2352	Washer
TGT1747	Pressure Plate	TGT2294	E Lock	TGT2353	Screw
TGT1753	Yoke	TGT2296	Worm Bushing A	TGT2354	Drive Shaft
TGT2061	Click Pin (B)	TGT2298	Clutch Plate Assembly	TGT2355	Star Drag
TGT2063	Star Drag Spring	TGT2299	Clutch Pawl Spring	TGT2356	Washer
TGT2065	Roller Clutch Water Proof	TGT2300	Screw	TGT2357	Washer
TGT2068	Cast Control Cap	TGT2301	Right Side Plate Set Assembly	TGT2358	Counter Gear Assembly
TGT2069	Ball Bearing	TGT2303	Counter Gear A	TGT2410	Washer
TGT2073	Roller Clutch Inner Tube	TGT2306	Pawl Cap		
TGT2089	Washer	TGT2307	Washer	TGT0411	Rod Clamp Nut (Accessory)
TGT2097	Star Drag Nut	TGT2308	Line Guide Pawl	TGT0413	Rod Clamp Bolt (Accessory)
TGT2106	Drive Shaft Shield	TGT2309	Line Guide Pawl Holder Assembly	TGT2332	Rod Clamp (Accessory)
TGT2107	Click Plate Retainer	TGT2313	Screw		
TGT2109	Star Drag Spacer	TGT2315	Counter Frame Plate		
TGT2110	Coned Disc Spring (8h)	TGT2317	Bushing		
TGT2111	Screw	TGT2318	Counter Unit Assembly	TGT0355	Wrench (Accessory)