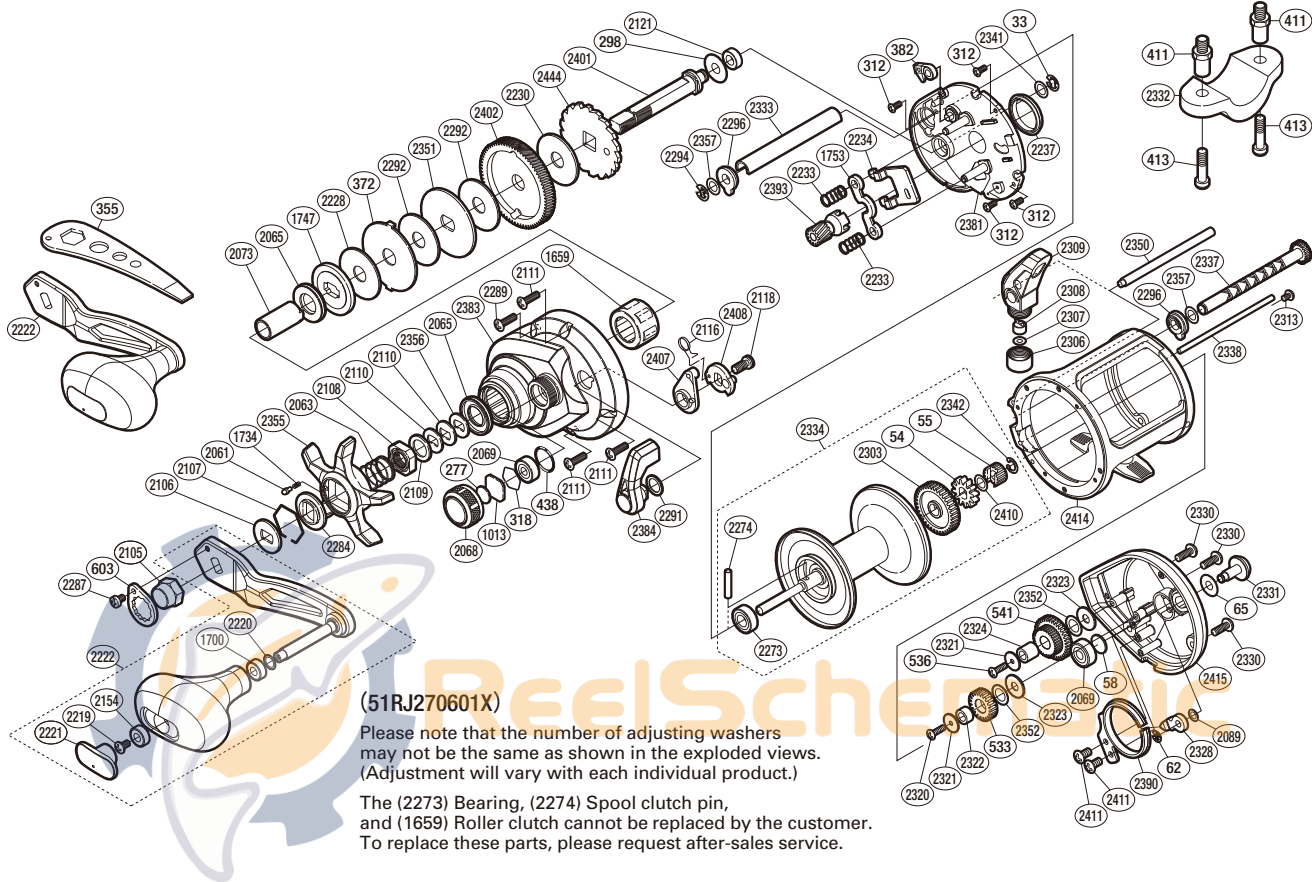


SHIMANO

TEKOTA SA-RB

TEK601HGA



Part No.	Description	Part No.	Description	Part No.	Description
TGT0033	E Lock	TGT2110	Coned Disc Spring 8h	TGT2328	Click Pawl
TGT0054	Click Gear	TGT2111	Screw	TGT2330	Screw
TGT0055	Idle Gear A	TGT2116	Clutch Spring	TGT2331	Click Button
TGT0058	Spacer B	TGT2118	Screw	TGT2333	Level Wind Guard
TGT0062	E Lock	TGT2121	Drive Shaft Bushing	TGT2334	Spool Assembly
TGT0065	Spacer A	TGT2154	Handle Knob Bushing A	TGT2337	Worm Shaft Unit
TGT0277	Cast Control Spacer	TGT2219	Screw	TGT2338	Stabilizer Bar B
TGT0298	Washer	TGT2220	Washer	TGT2341	Washer
TGT0312	Screw	TGT2221	Handle Knob Seal	TGT2342	Idle Gear Retainer
TGT0318	Bearing Retainer	TGT2222	Handle Assembly	TGT2350	Stabilizer Bar A
TGT0372	Eared Washer E	TGT2228	Drag Washer D	TGT2351	Key Washer C
TGT0382	Anti-Reverse Pawl	TGT2230	Drag Washer A	TGT2352	Washer
TGT0438	O Ring	TGT2233	Yoke Spring	TGT2355	Star Drag
TGT0533	Idle Gear B	TGT2234	Yoke Plate	TGT2356	Washer
TGT0536	Screw	TGT2237	Frame Center Seal	TGT2357	Washer
TGT0541	Idle Gear D	TGT2273	Ball Bearing	TGT2381	Left Side Plate Set Assembly
TGT0603	Handle Nut Plate	TGT2274	Spool Clutch Pin	TGT2383	Left Side Plate Assembly
TGT1013	Spool Tension Spacer	TGT2284	Star Drag Click Plate	TGT2384	Clutch Lever Unit
TGT1659	Roller Clutch Bearing	TGT2287	Screw	TGT2390	Click Spring
TGT1700	Handle Knob Bushing	TGT2289	Screw	TGT2393	Pinion Gear
TGT1734	Click Spring	TGT2291	Smoother	TGT2401	Drive Shaft
TGT1747	Pressure Plate	TGT2292	Drag Washer B	TGT2402	Drive Gear
TGT1753	Yoke	TGT2294	E Lock	TGT2407	Eccentric Cam Bushing
TGT2061	Click Pin B	TGT2296	Worm Bushing A	TGT2408	Clutch Cam Assembly
TGT2063	Star Drag Spring	TGT2303	Counter Gear A	TGT2410	Washer
TGT2065	Roller Clutch Water Proof	TGT2306	Pawl Cap	TGT2411	Screw
TGT2068	Cast Control Cap	TGT2307	Washer	TGT2414	Frame
TGT2069	Ball Bearing	TGT2308	Line Guide Pawl	TGT2415	Right Side Plate
TGT2073	Roller Clutch Inner Tube	TGT2309	Line Guide Pawl Holder Assembly	TGT2444	Anti-Reverse Ratchet
TGT2089	Washer	TGT2313	Screw		
TGT2105	Handle Nut	TGT2320	Screw	TGT0411	Rod Clamp Nut (Accessory)
TGT2106	Drive Shaft Shield	TGT2321	Idle Gear B Spacer B	TGT0413	Rod Clamp Bolt (Accessory)
TGT2107	Click Plate Retainer	TGT2322	Idle Gear B Support	TGT2332	Rod Clamp (Accessory)
TGT2108	Star Drag Nut	TGT2323	Idle Gear B Spacer A		
TGT2109	Star Drag Spacer	TGT2324	Idle Gear D Support	TGT0355	Wrench (Accessory)