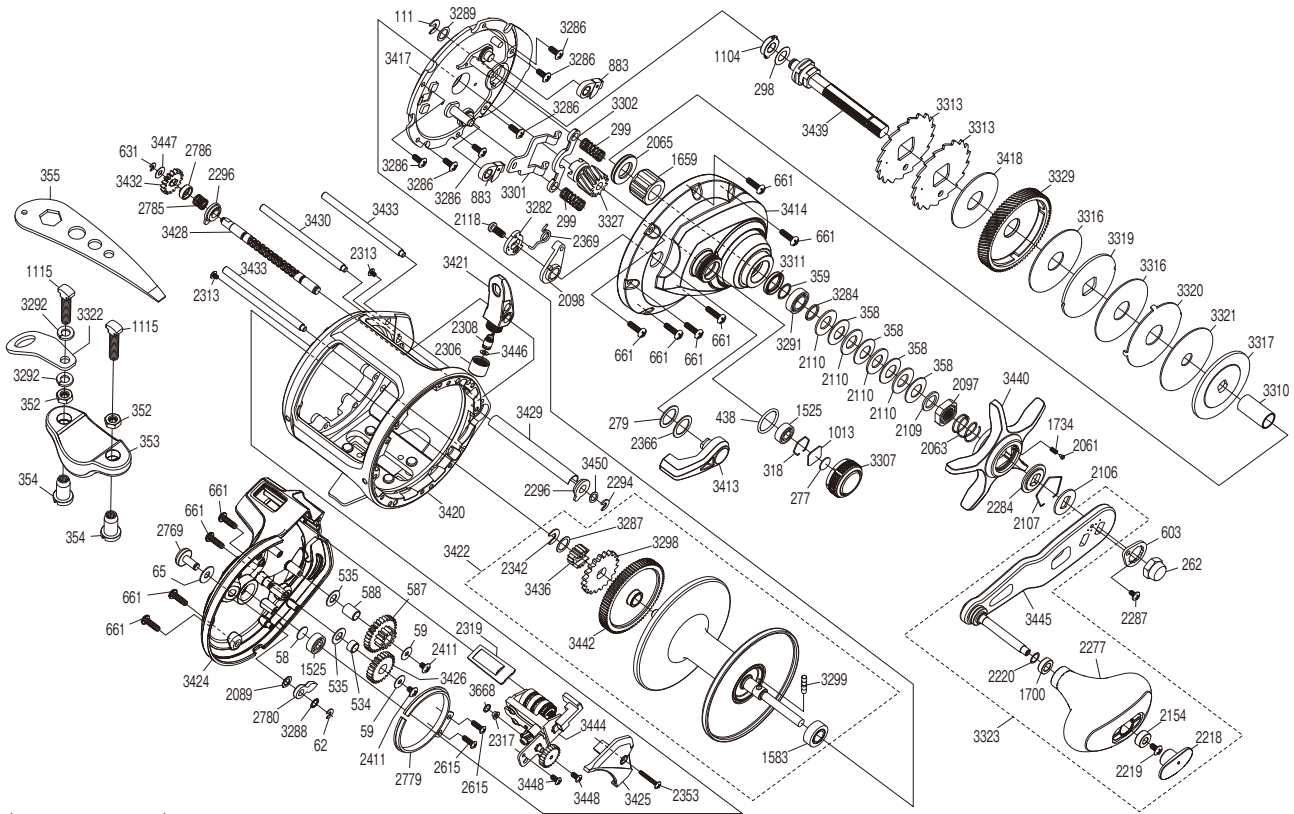


SHIMANO

TEKOTA SA-RB

TEK800PGLCA



(51RJ302800X)

Please note that the number of adjusting washers may not be the same as shown in the exploded views.
(Adjustment will vary with each individual product.)

Part No.	Description	Part No.	Description	Part No.	Description
TGT0058	Spacer	TGT2218	Handle Knob Seal	TGT3319	Drag Washer
TGT0059	Washer	TGT2219	Screw	TGT3320	Eared Washer
TGT0062	E Lock	TGT2220	Washer	TGT3321	Drag Washer
TGT0065	Washer	TGT2277	Handle Knob	TGT3323	Handle Assembly
TGT0111	E Lock	TGT2284	Star Drag Click Plate	TGT3327	Pinion Gear
TGT0262	Handle Nut	TGT2287	Screw	TGT3329	Drive Gear
TGT0277	Cast Control Spacer	TGT2294	E Lock	TGT3413	Clutch Lever Unit
TGT0279	Washer	TGT2296	Worm Bushing A	TGT3414	Right Side Plate Assembly
TGT0298	Washer	TGT2306	Pawl Cap	TGT3417	Right Side Set Plate
TGT0299	Yoke Spring	TGT2308	Line Guide Pawl	TGT3418	Drag Washer
TGT0318	Bearing Retainer	TGT2313	Screw	TGT3420	Frame Assembly
TGT0358	Drag Spring Washer	TGT2317	Worm Gear Bushing A	TGT3421	Line Guide Pawl Holder Assembly
TGT0359	Washer	TGT2319	Counter Lens Assembly	TGT3422	Spool Assembly
TGT0438	O Ring	TGT2342	Idle Gear A Retainer	TGT3424	Left Side Plate
TGT0534	Idle Gear B Support	TGT2353	Screw	TGT3425	Left Side Plate Seal
TGT0535	Washer	TGT2366	Washer	TGT3426	Idle Gear B
TGT0587	Idle Gear D	TGT2369	Clutch Spring	TGT3428	Worm Shaft
TGT0588	Idle Gear D Support	TGT2411	Screw	TGT3429	Level Wind Guard
TGT0603	Handle Nut Plate	TGT2615	Screw	TGT3430	Stabilizer Bar A
TGT0631	E Lock	TGT2769	Click Button	TGT3432	Idle Gear C
TGT0661	Screw	TGT2779	Click Spring	TGT3433	Stabilizer Bar B
TGT0883	Anti-Reverse Pawl	TGT2780	Click Pawl	TGT3436	Idle Gear A
TGT1013	Spool Tension Spacer	TGT2785	Worm Shaft Spring B	TGT3439	Drive Shaft
TGT1104	Drive Shaft Bushing	TGT2786	Worm Shaft Cam	TGT3440	Star Drag
TGT1525	Ball Bearing	TGT3282	Clutch Cam Unit	TGT3442	Counter Gear A
TGT1583	Ball Bearing	TGT3284	Ball Bearing	TGT3444	Counter Unit Assembly
TGT1659	Roller Clutch Bearing	TGT3286	Screw	TGT3445	Handle Shank Assembly
TGT1700	Bushing B	TGT3287	Washer	TGT3446	Spacer
TGT1734	Click Spring	TGT3288	Washer	TGT3447	Washer
TGT2061	Click Pin	TGT3289	Washer	TGT3448	Screw
TGT2063	Star Drag Spring	TGT3291	Washer	TGT3450	Washer
TGT2065	Roller Clutch Water Proof	TGT3298	Click Gear	TGT3668	Washer
TGT2089	Washer	TGT3299	Spool Clutch Pin		
TGT2097	Star Drag Nut	TGT3301	Yoke Plate	TGT0352	Rod Clamp Nut B
TGT2098	Eccentric Cam Bushing	TGT3302	Yoke	TGT0353	Rod Clamp
TGT2106	Drive Shaft Shield	TGT3307	Cast Control Cap	TGT0354	Rod Clamp Nut A
TGT2107	Click Plate Retainer	TGT3310	Roller Clutch Inner Tube	TGT1115	Screw
TGT2109	Star Drag Spacer	TGT3311	Roller Clutch Water Proof	TGT3292	Washer
TGT2110	Drag Spring Washer	TGT3313	Anti-Reverse Ratchet	TGT3322	Hook Keeper
TGT2118	Screw	TGT3316	Drag Washer		
TGT2154	Bushing A	TGT3317	Key Washer	TGT0355	Wrench (Accessory)