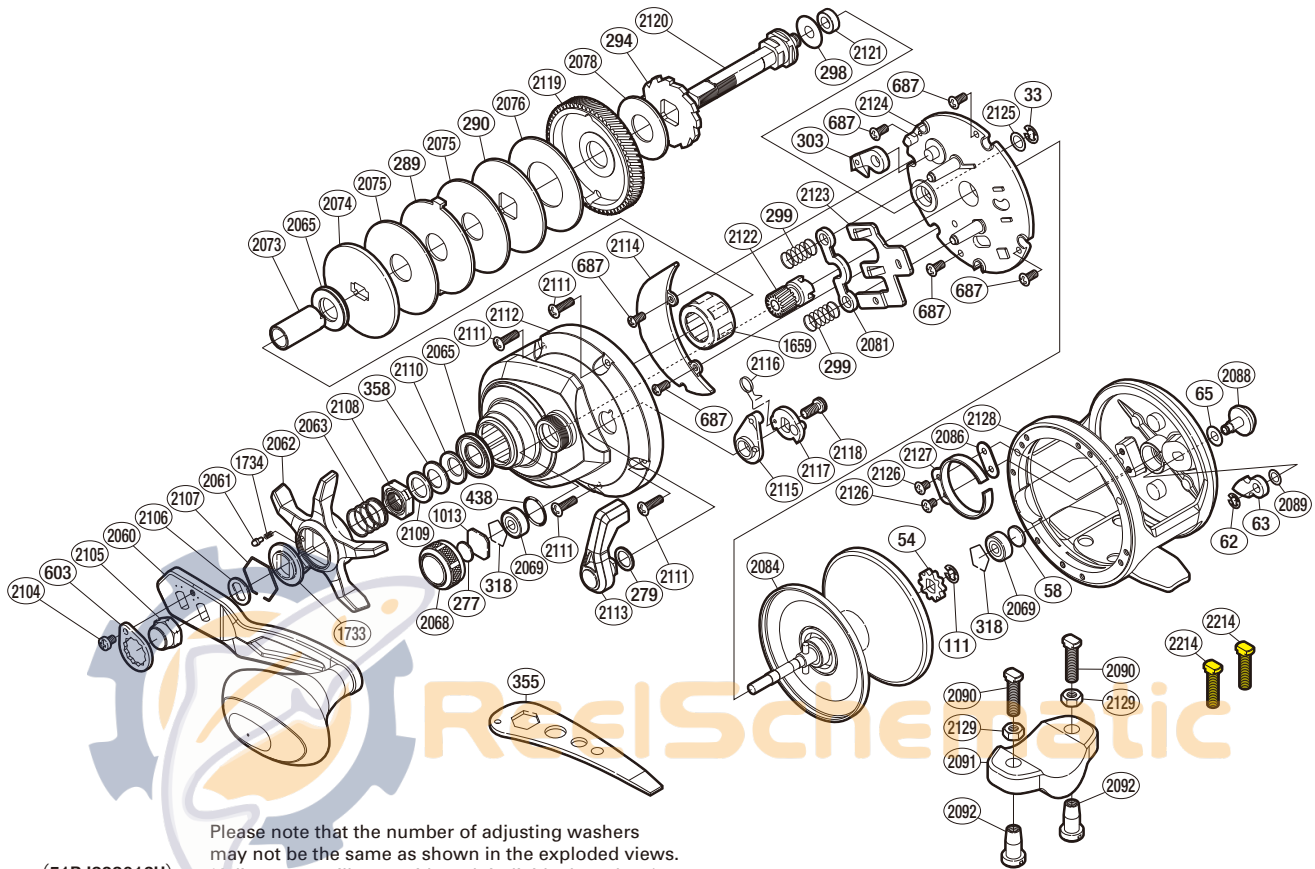


SHIMANO

TORIUM SA-RB

TOR-16HGALH



Please note that the number of adjusting washers may not be the same as shown in the exploded views. (Adjustment will vary with each individual product.)

(51RJ232016U)

Part No.	Description	Part No.	Description	Part No.	Description
TGT0033	Drive Shaft Retainer	TGT2061	Click Pin (B)	TGT2113	Clutch Lever
TGT0054	Click Gear	TGT2062	Star Drag	TGT2114	Set Plate Sticker
TGT0058	Spacer B	TGT2063	Star Drag Spring	TGT2115	Eccentric Cam Bushing
TGT0062	E Lock	TGT2065	Roller Clutch Water Proof	TGT2116	Clutch Spring
TGT0063	Click Pawl	TGT2068	Cast Control Cap	TGT2117	Clutch Cam
TGT0065	Spacer A	TGT2069	Ball Bearing	TGT2118	Screw
TGT0111	E Lock	TGT2073	Roller Clutch Inner Tube	TGT2119	Drive Gear
TGT0277	Cast Control Spacer	TGT2074	Key Washer	TGT2120	Drive Shaft
TGT0279	Smoother	TGT2075	Drag Washer D	TGT2121	Drive Shaft Bushing
TGT0289	Eared Washer (E)	TGT2076	Drag Washer B	TGT2122	Pinion Gear
TGT0290	Key Washer (C)	TGT2078	Drag Washer A	TGT2123	Yoke Plate
TGT0294	Anti-Reverse Ratchet	TGT2081	Yoke	TGT2124	A Side Plate Set
TGT0298	Washer	TGT2084	Spool Assembly	TGT2125	Washer
TGT0299	Yoke Spring	TGT2086	Click Spring Washer	TGT2126	Screw
TGT0303	Anti-Reverse Pawl	TGT2088	Click Button	TGT2127	Click Spring
TGT0318	Bearing Retainer	TGT2089	Washer	TGT2128	Frame
TGT0358	Coned Disc Spring (8l)	TGT2104	Screw		
TGT0438	O Ring	TGT2105	Handle Nut	TGT2090	Rod Clamp Bolt (accessory)
TGT0603	Handle Nut Plate	TGT2106	Drive Shaft Shield	TGT2091	Rod Clamp (accessory)
TGT0687	Screw	TGT2107	Click Plate Retainer	TGT2092	Rod Clamp Nut A (accessory)
TGT1013	Spool Tension Spacer	TGT2108	Star Drag Nut	TGT2129	Rod Clamp Nut B (accessory)
TGT1659	Roller Clutch Bearing	TGT2109	Star Drag Spacer	TGT2214	Rod Clamp Bolt (accessory)
TGT1733	Star Drag Click Plate	TGT2110	Coned Disc Spring (8h)		
TGT1734	Click Spring	TGT2111	Screw		
TGT2060	Handle Assembly	TGT2112	A Side Plate	TGT0355	Wrench (accessory)