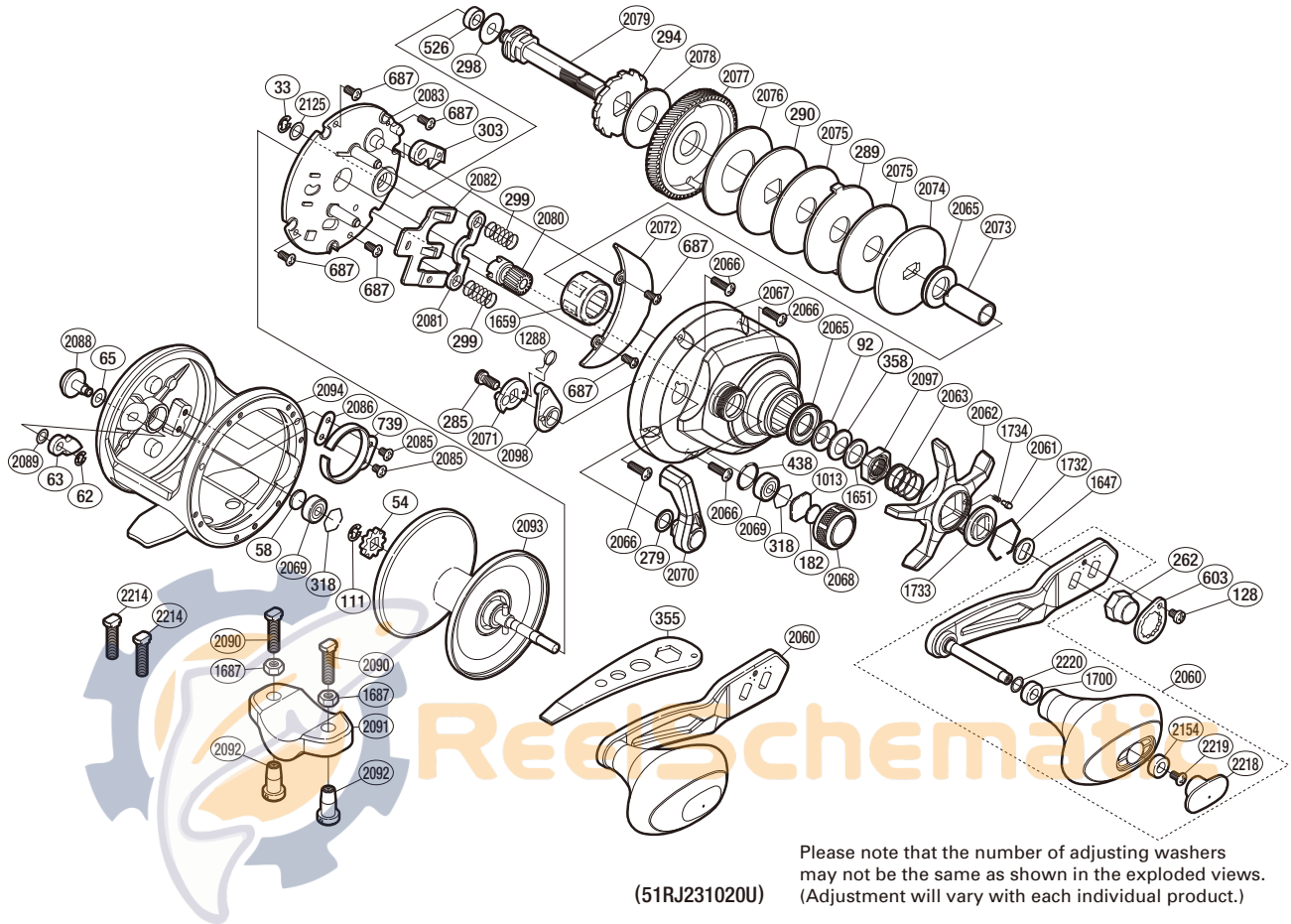


SHIMANO

TORIUM SA-RB

TOR-20HGA



Please note that the number of adjusting washers may not be the same as shown in the exploded views. (Adjustment will vary with each individual product.)

(51RJ231020U)

| Part No. | Description | Part No. | Description | Part No. | Description |
|----------|------------------------|----------|---------------------------|----------|-----------------------------|
| TGT0033 | Drive Shaft Retainer | TGT1288 | Clutch Spring | TGT2080 | Pinion Gear |
| TGT0054 | Click Gear | TGT1647 | Drive Shaft Shield | TGT2081 | Yoke |
| TGT0058 | Spacer B | TGT1651 | Star Drag Spacer | TGT2082 | Yoke Plate |
| TGT0062 | E Lock | TGT1659 | Roller Clutch Bearing | TGT2083 | A Side Plate Set |
| TGT0063 | Click Pawl | TGT1700 | Handle Knob Bushing B | TGT2085 | Screw |
| TGT0065 | Spacer A | TGT1732 | Click Plate Retainer | TGT2086 | Click Spring Washer |
| TGT0092 | Coned Disc Spring (8h) | TGT1733 | Star Drag Click Plate | TGT2088 | Click Button |
| TGT0111 | E Lock | TGT1734 | Click Spring | TGT2089 | Washer |
| TGT0128 | Screw | TGT2060 | Handle Assembly | TGT2093 | Spool Assembly |
| TGT0182 | Cast Control Spacer | TGT2061 | Click Pin (B) | TGT2094 | One-piece Frame |
| TGT0262 | Handle Nut | TGT2062 | Star Drag | TGT2097 | Star Drag Nut |
| TGT0279 | Smoother | TGT2063 | Star Drag Spring | TGT2098 | Eccentric Cam Bushing |
| TGT0285 | Screw | TGT2065 | Roller Clutch Water Proof | TGT2125 | Washer |
| TGT0289 | Eared Washer (E) | TGT2066 | Screw | TGT2154 | Handle Knob Bushing A |
| TGT0290 | Key Washer (C) | TGT2067 | A Side Plate | TGT2218 | Handle Knob Seal |
| TGT0294 | Anti-reverse Ratchet | TGT2068 | Cast Control Cap | TGT2219 | Screw |
| TGT0298 | Washer | TGT2069 | Ball Bearing | TGT2220 | Washer |
| TGT0299 | Yoke Spring | TGT2070 | Clutch Lever | | |
| TGT0303 | Anti-reverse Pawl | TGT2071 | Clutch Cam | TGT2090 | Rod Clamp Bolt (Accessory) |
| TGT0318 | Bearing Retainer | TGT2072 | Set Plate Sticker | TGT1687 | Rod Clamp Nut B (Accessory) |
| TGT0358 | Coned Disc Spring (8l) | TGT2073 | Roller Clutch Inner Tube | TGT2091 | Rod Clamp (Accessory) |
| TGT0438 | O Ring | TGT2074 | Key Washer | TGT2092 | Rod Clamp Nut A (Accessory) |
| TGT0526 | Drive Shaft Bushing | TGT2075 | Drag Washer D | TGT2214 | Rod Clamp Bolt (Accessory) |
| TGT0603 | Handle Nut Plate | TGT2076 | Drag Washer B | | |
| TGT0687 | Screw | TGT2077 | Drive Gear | | |
| TGT0739 | Click Spring | TGT2078 | Drag Washer A | | |
| TGT1013 | Spool Tension Spacer | TGT2079 | Drive Shaft | TGT0355 | Wrench (Accessory) |