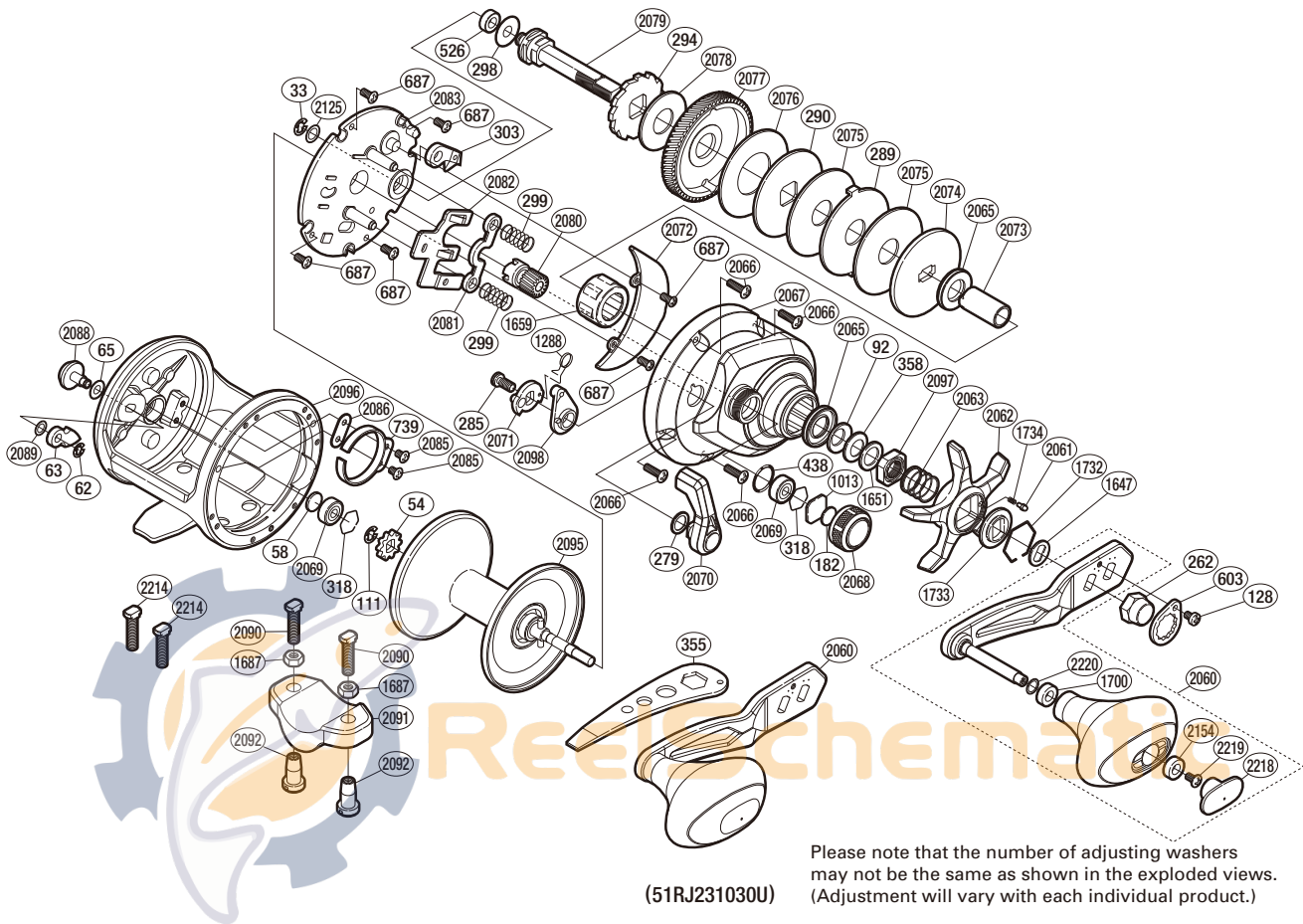


# SHIMANO

## TORIUM SA-RB

## TOR-30HGA



Part No.	Description	Part No.	Description	Part No.	Description
TGT0033	Drive Shaft Retainer	TGT1288	Clutch Spring	TGT2080	Pinion Gear
TGT0054	Click Gear	TGT1647	Drive Shaft Shield	TGT2081	Yoke
TGT0058	Spacer B	TGT1651	Star Drag Spacer	TGT2082	Yoke Plate
TGT0062	E Lock	TGT1659	Roller Clutch Bearing	TGT2083	A Side Plate Set
TGT0063	Click Pawl	TGT1700	Handle Knob Bushing B	TGT2085	Screw
TGT0065	Spacer A	TGT1732	Click Plate Retainer	TGT2086	Click Spring Washer
TGT0092	Coned Disc Spring (8h)	TGT1733	Star Drag Click Plate	TGT2088	Click Button
TGT0111	E Lock	TGT1734	Click Spring	TGT2089	Washer
TGT0128	Screw	TGT2060	Handle Assembly	TGT2095	Spool Assembly
TGT0182	Cast Control Spacer	TGT2061	Click Pin (B)	TGT2096	One-piece Frame
TGT0262	Handle Nut	TGT2062	Star Drag	TGT2097	Star Drag Nut
TGT0279	Smoother	TGT2063	Star Drag Spring	TGT2098	Eccentric Cam Bushing
TGT0285	Screw	TGT2065	Roller Clutch Water Proof	TGT2125	Washer
TGT0289	Eared Washer (E)	TGT2066	Screw	TGT2154	Handle Knob Bushing A
TGT0290	Key Washer (C)	TGT2067	A Side Plate	TGT2218	Handle Knob Seal
TGT0294	Anti-reverse Ratchet	TGT2068	Cast Control Cap	TGT2219	Screw
TGT0298	Washer	TGT2069	Ball Bearing	TGT2220	Washer
TGT0299	Yoke Spring	TGT2070	Clutch Lever		
TGT0303	Anti-reverse Pawl	TGT2071	Clutch Cam	TGT2090	Rod Clamp Bolt (Accessory)
TGT0318	Bearing Retainer	TGT2072	Set Plate Sticker	TGT1687	Rod Clamp Nut B (Accessory)
TGT0358	Coned Disc Spring (8l)	TGT2073	Roller Clutch Inner Tube	TGT2091	Rod Clamp (Accessory)
TGT0438	O Ring	TGT2074	Key Washer	TGT2092	Rod Clamp Nut A (Accessory)
TGT0526	Drive Shaft Bushing	TGT2075	Drag Washer D	TGT2214	Rod Clamp Bolt (Accessory)
TGT0603	Handle Nut Plate	TGT2076	Drag Washer B		
TGT0687	Screw	TGT2077	Drive Gear		
TGT0739	Click Spring	TGT2078	Drag Washer A		
TGT1013	Spool Tension Spacer	TGT2079	Drive Shaft	TGT0355	Wrench (Accessory)