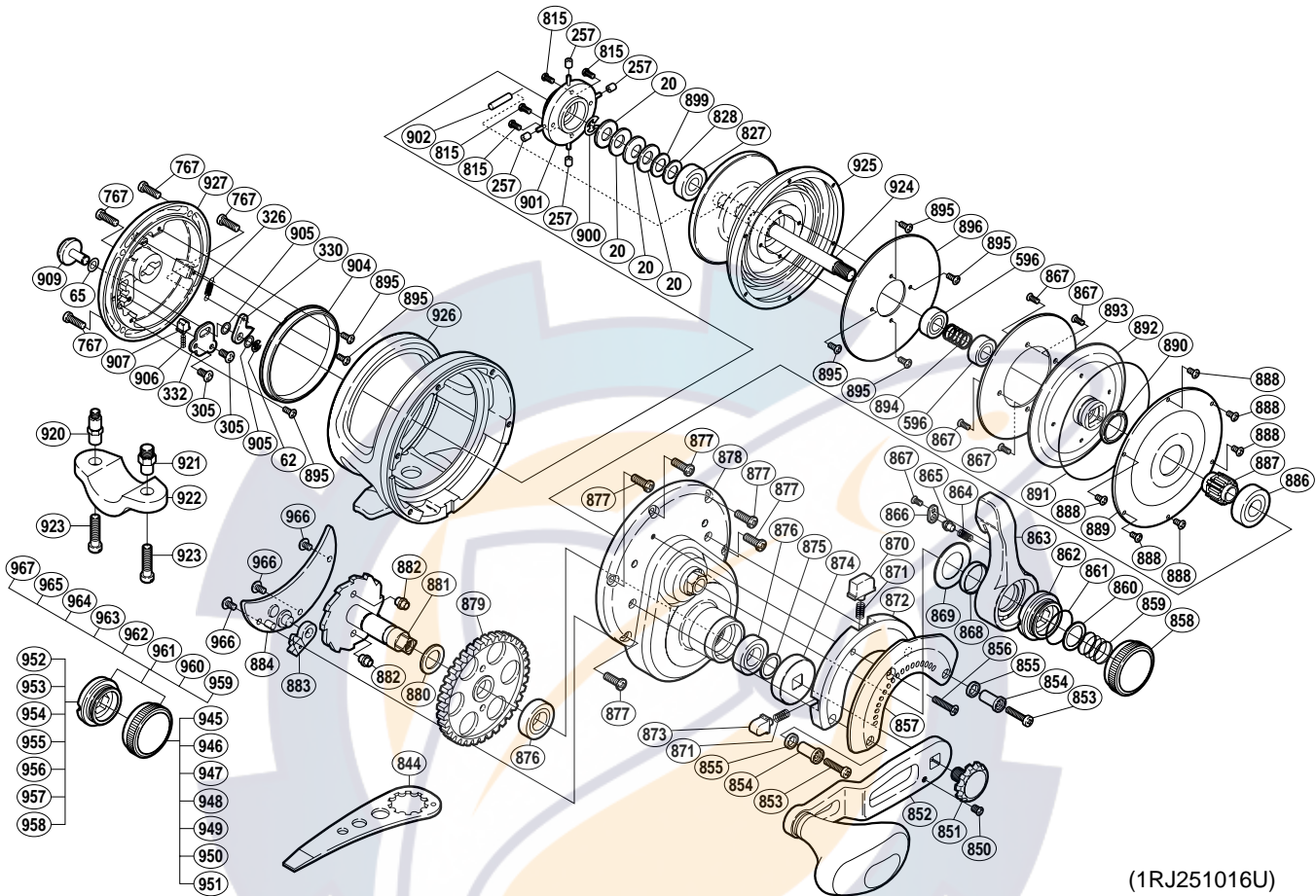


# SHIMANO®

## TORSA A-RB

## TS-16N



(1RJ251016U)

Part No.	Description	Part No.	Description	Part No.	Description
TGT0020	Coned Disc Spring	TGT0872	Right Side Plate B	TGT0926	One-Piece Frame
TGT0062	E Lock	TGT0873	Free Spool Detent	TGT0927	Left Side Plate
TGT0065	Spacer	TGT0874	Gear Shaft Shield	TGT0966	Screw
TGT0257	Brake Collar (blue)	TGT0875	Washer		
TGT0305	Screw	TGT0876	Ball Bearing	TGT0920	Rod Clamp Nut A (accessory)
TGT0326	Click Pawl Spring	TGT0877	Screw	TGT0921	Rod Clamp Nut B (accessory)
TGT0330	Click Pawl	TGT0878	Right Side Plate	TGT0922	Rod Clamp (accessory)
TGT0332	Click Spring Retainer	TGT0879	Drive Gear	TGT0923	Rod Clamp Bolt (accessory)
TGT0596	Ball Bearing	TGT0880	Washer	TGT0844	Wrench (accessory)
TGT0767	Screw	TGT0881	Anti-Reverse Ratchet		
TGT0815	Screw	TGT0882	Anti-Reverse Ratchet Pin		
TGT0827	Ball Bearing	TGT0883	Anti-Reverse Pawl	TGT0945	Pre-Program Dial (LLS 6) (accessory)
TGT0828	Bearing Thrust Washer	TGT0884	Set Plate	TGT0946	Pre-Program Dial (LLS12) (accessory)
TGT0850	Screw	TGT0886	Ball Bearing	TGT0947	Pre-Program Dial (BFS20) (accessory)
TGT0851	Handle Bolt	TGT0887	Pinion Gear	TGT0948	Pre-Program Dial (BFS50) (accessory)
TGT0852	Handle	TGT0888	Screw	TGT0949	Pre-Program Dial (WMS) (accessory)
TGT0853	Screw	TGT0889	Cooling Shield	TGT0950	Pre-Program Dial (KFS) (accessory)
TGT0854	Screw Shield	TGT0890	Waterproof Ring	TGT0951	Pre-Program Dial (CFS) (accessory)
TGT0855	Quadrant Support	TGT0891	O Ring		
TGT0856	Screw	TGT0892	Pinion Guard	TGT0952	Lever Shaft Body (LLS 6) (accessory)
TGT0857	Lever Quadrant	TGT0893	Drag Plate	TGT0953	Lever Shaft Body (LLS12) (accessory)
TGT0858	Pre-Program Dial (LRS)	TGT0894	Pressure Release Spring	TGT0954	Lever Shaft Body (BFS20) (accessory)
TGT0859	Dial Spring	TGT0895	Screw	TGT0955	Lever Shaft Body (BFS50) (accessory)
TGT0860	Washer	TGT0896	Drag Washer	TGT0956	Lever Shaft Body (WMS) (accessory)
TGT0861	O Ring	TGT0899	Washer	TGT0957	Lever Shaft Body (KFS) (accessory)
TGT0862	Lever Shaft Body (LRS)	TGT0900	E Lock	TGT0958	Lever Shaft Body (CFS) (accessory)
TGT0863	Drag Control Lever	TGT0901	Click Gear Support		
TGT0864	Yoke Spring	TGT0902	Cross Pin	TGT0959	Quick Change Cam Assembly (LLS 6) (accessory)
TGT0865	Lever Click	TGT0904	Brake Ring	TGT0960	Quick Change Cam Assembly (LLS12) (accessory)
TGT0866	Lever Click Cover	TGT0905	Spacer	TGT0961	Quick Change Cam Assembly (BFS20) (accessory)
TGT0867	Screw	TGT0906	Click Spring	TGT0962	Quick Change Cam Assembly (BFS50) (accessory)
TGT0868	Lever Thrust Ring	TGT0907	Click Spring Holder	TGT0963	Quick Change Cam Assembly (WMS) (accessory)
TGT0869	Washer	TGT0909	Click Button	TGT0964	Quick Change Cam Assembly (KFS) (accessory)
TGT0870	Strike Stop	TGT0924	Main Shaft	TGT0965	Quick Change Cam Assembly (CFS) (accessory)
TGT0871	Pressure Spring	TGT0925	Spool	TGT0967	Quick Change Cam Assembly (LRS) (accessory)