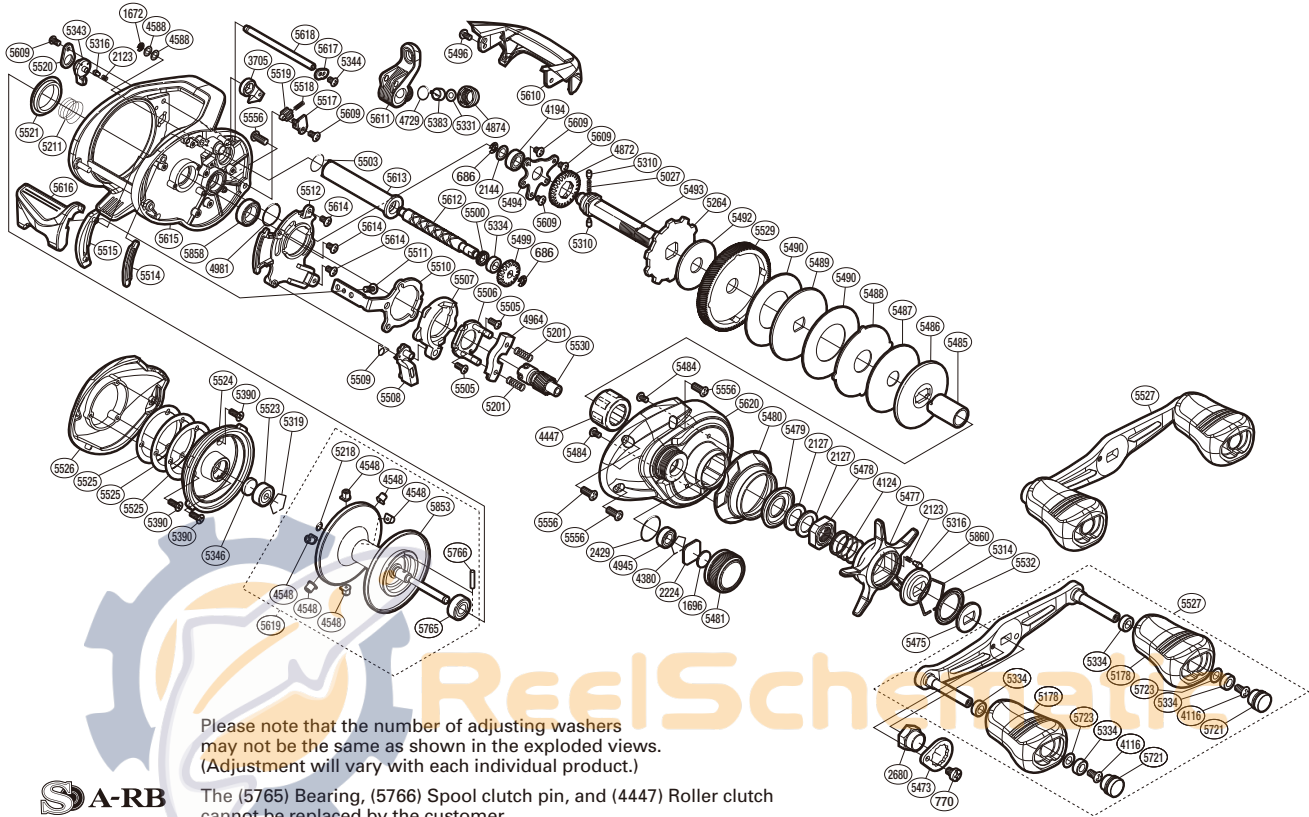


# SHIMANO

## TRAX

## TRX-400



Please note that the number of adjusting washers may not be the same as shown in the exploded views. (Adjustment will vary with each individual product.)

**S A-RB**  
(51RH612400X)

The (5765) Bearing, (5766) Spool clutch pin, and (4447) Roller clutch cannot be replaced by the customer. To replace these parts, please request after-sales service.

Part No.	Description	Part No.	Description	Part No.	Description
BNT0686	E Lock	BNT5343	Side Plate Cam Lever	BNT5517	Retention Spring Retainer
BNT0770	Screw	BNT5344	Screw	BNT5518	Clutch Retention Spring
BNT1672	E Lock	BNT5346	Spacer B	BNT5519	Clutch Retention Pin
BNT1696	Cast Control Spacer (B)	BNT5383	Line Guide Pawl	BNT5520	Cam Lever Retainer
BNT2123	Click Spring	BNT5390	Screw	BNT5521	Frame Center Seal
BNT2127	Star Drag Spacer	BNT5473	Handle Nut Plate	BNT5523	Ball Bearing
BNT2144	Drive Shaft Washer	BNT5475	Drive Shaft Shield	BNT5524	Dial Case
BNT2224	Spool Tension Spacer (A)	BNT5477	Star Drag	BNT5525	Washer
BNT2429	O Ring	BNT5478	Star Drag Nut	BNT5526	Left Side Plate
BNT2680	Handle Nut	BNT5479	Roller Clutch Water Proof	BNT5527	Handle Assembly
BNT3705	Anti-Reverse Pawl	BNT5480	Clutch Button Attachment	BNT5529	Drive Gear
BNT4116	Screw	BNT5481	Cast Control Cap	BNT5530	Pinion Gear
BNT4124	Star Drag Spring	BNT5484	Screw	BNT5532	Star Drag Seal
BNT4194	Ball Bearing	BNT5485	Roller Clutch Inner Tube	BNT5556	Screw
BNT4380	Retainer	BNT5486	Key Washer	BNT5609	Screw
BNT4447	Roller Clutch Bearing	BNT5487	Drag Washer	BNT5610	Level Wind Protector
BNT4548	Brake Collar	BNT5488	Eared Washer	BNT5611	Line Guide
BNT4588	Washer	BNT5489	Key Washer	BNT5612	Worm Shaft
BNT4729	O Ring	BNT5490	Drag Washer	BNT5613	Level Wind Guard
BNT4872	Idle Gear	BNT5492	Drag Washer	BNT5614	Screw
BNT4874	Pawl Cap	BNT5493	Drive Shaft	BNT5615	Frame
BNT4945	Ball Bearing	BNT5494	Drive Shaft Retainer	BNT5616	Clutch Lever
BNT4964	Yoke	BNT5496	Screw	BNT5617	Stabilizer Bar Retainer
BNT4981	O Ring	BNT5499	Idle Gear	BNT5618	Stabilizer Bar
BNT5027	Idle Gear Spring	BNT5500	Worm Shaft Seal	BNT5619	Spool Assembly
BNT5178	Handle Knob	BNT5503	O Ring	BNT5620	Right Side Plate
BNT5201	Yoke Spring	BNT5505	Screw	BNT5721	Handle Knob Seal
BNT5211	Bearing Pressure Spring	BNT5506	Clutch Cam Retainer	BNT5723	Washer
BNT5218	O Ring	BNT5507	Clutch Cam	BNT5765	Ball Bearing
BNT5264	Anti-Reverse Ratchet	BNT5508	Clutch Pawl	BNT5766	Spool Clutch Pin
BNT5310	Idle Gear Pin	BNT5509	Clutch Pawl Spring	BNT5853	Spool
BNT5314	Click Plate Retainer	BNT5510	Clutch Plate	BNT5858	Ball Bearing
BNT5316	Click Pin	BNT5511	Screw	BNT5860	Star Drag Click Plate
BNT5319	Bearing Retainer	BNT5512	Clutch Guard		
BNT5331	Spacer	BNT5514	Clutch Button Seal		
BNT5334	Bushing	BNT5515	Clutch Bar Guide	BNT4692	B-100 Oil (Accessory)