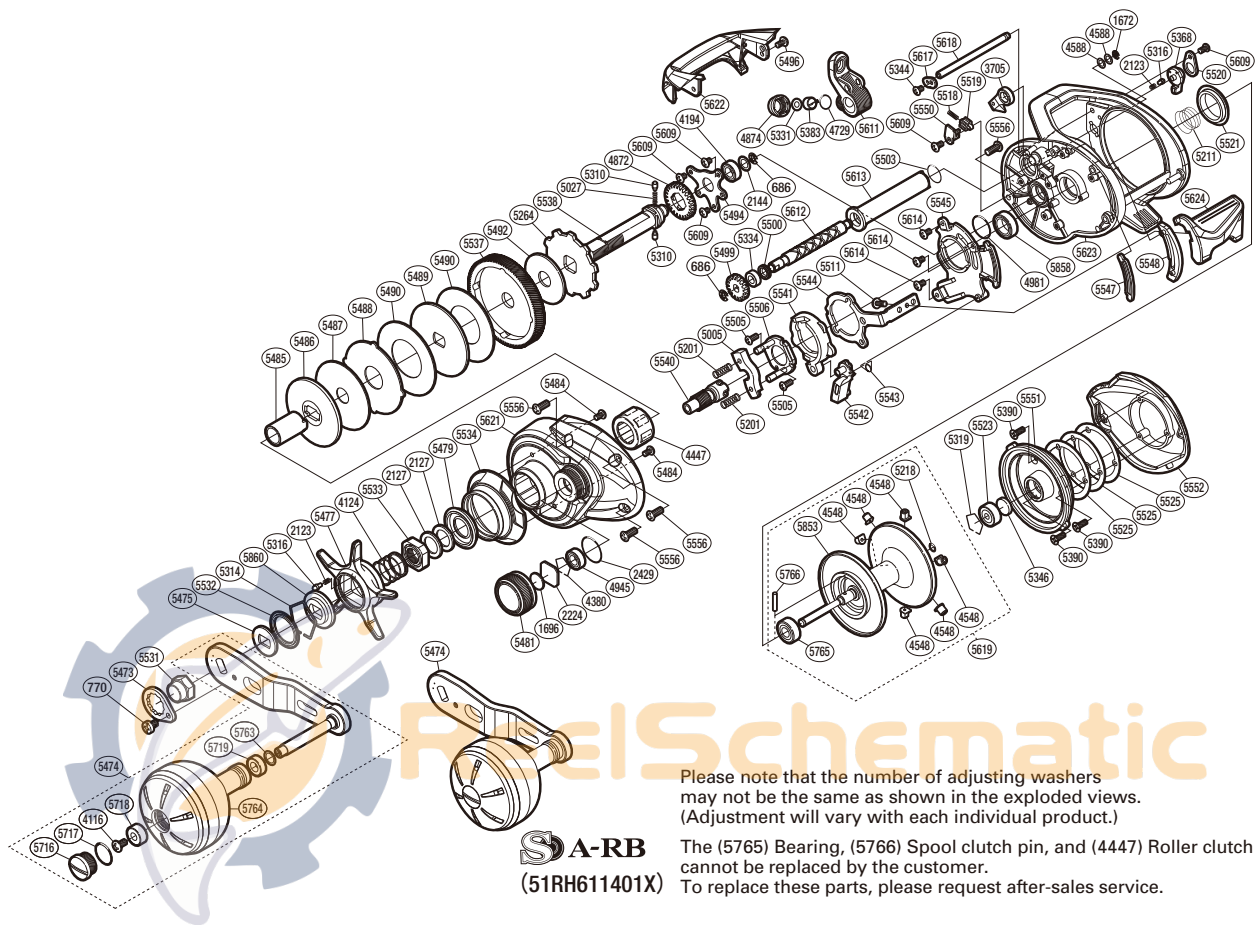


SHIMANO

TRAX

TRX-401HG



Part No.	Description	Part No.	Description	Part No.	Description
BNT0686	E Lock	BNT5383	Line Guide Pawl	BNT5541	Clutch Cam
BNT0770	Screw	BNT5390	Screw	BNT5542	Clutch Pawl
BNT1672	E Lock	BNT5473	Handle Nut Plate	BNT5543	Clutch Pawl Spring
BNT1696	Cast Control Spacer (B)	BNT5474	Handle Assembly	BNT5544	Clutch Plate
BNT2123	Click Spring	BNT5475	Drive Shaft Shield	BNT5545	Clutch Guard
BNT2127	Star Drag Spacer	BNT5477	Star Drag	BNT5547	Clutch Button Seal
BNT2144	Drive Shaft Washer	BNT5479	Roller Clutch Water Proof	BNT5548	Clutch Bar Guide
BNT2224	Spool Tension Spacer (A)	BNT5481	Cast Control Cap	BNT5550	Retention Spring Retainer
BNT2429	O Ring	BNT5484	Screw	BNT5551	Dial Case
BNT3705	Anti-Reverse Pawl	BNT5485	Roller Clutch Inner Tube	BNT5552	Right Side Plate
BNT4116	Screw	BNT5486	Key Washer	BNT5556	Screw
BNT4124	Star Drag Spring	BNT5487	Drag Washer	BNT5609	Screw
BNT4194	Ball Bearing	BNT5488	Eared Washer	BNT5611	Line Guide
BNT4380	Retainer	BNT5489	Key Washer	BNT5612	Worm Shaft
BNT4447	Roller Clutch Bearing	BNT5490	Drag Washer	BNT5613	Level Wind Guard
BNT4548	Brake Collar	BNT5492	Drag Washer	BNT5614	Screw
BNT4588	Washer	BNT5494	Drive Shaft Retainer	BNT5617	Stabilizer Bar Retainer
BNT4729	O Ring	BNT5496	Screw	BNT5618	Stabilizer Bar
BNT4872	Idle Gear	BNT5499	Idle Gear	BNT5619	Spool Assembly
BNT4874	Pawl Cap	BNT5500	Worm Shaft Seal	BNT5621	Left Side Plate
BNT4945	Ball Bearing	BNT5503	O Ring	BNT5622	Level Wind Protector
BNT4981	O Ring	BNT5505	Screw	BNT5623	Frame
BNT5005	Yoke	BNT5506	Clutch Cam Retainer	BNT5624	Clutch Lever
BNT5027	Idle Gear Spring	BNT5511	Screw	BNT5716	Handle Knob Seal
BNT5201	Yoke Spring	BNT5518	Clutch Retention Spring	BNT5717	O Ring
BNT5211	Bearing Pressure Spring	BNT5519	Clutch Retention Pin	BNT5718	Handle Knob Bushing A
BNT5218	O Ring	BNT5520	Cam Lever Retainer	BNT5719	Handle Knob Bushing
BNT5264	Anti-Reverse Ratchet	BNT5521	Frame Center Seal	BNT5763	Washer
BNT5310	Idle Gear Pin	BNT5523	Ball Bearing	BNT5764	Handle Knob
BNT5314	Click Plate Retainer	BNT5525	Washer	BNT5765	Ball Bearing
BNT5316	Click Pin	BNT5531	Handle Nut	BNT5766	Spool Clutch Pin
BNT5319	Bearing Retainer	BNT5532	Star Drag Seal	BNT5853	Spool
BNT5331	Spacer	BNT5533	Star Drag Nut	BNT5858	Ball Bearing
BNT5334	Bushing	BNT5534	Clutch Button Attachment	BNT5860	Star Drag Click Plate
BNT5344	Screw	BNT5537	Drive Gear		
BNT5346	Spacer B	BNT5538	Drive Shaft		
BNT5368	Side Plate Cam Lever	BNT5540	Pinion Gear	BNT4692	B-100 Oil (Accessory)