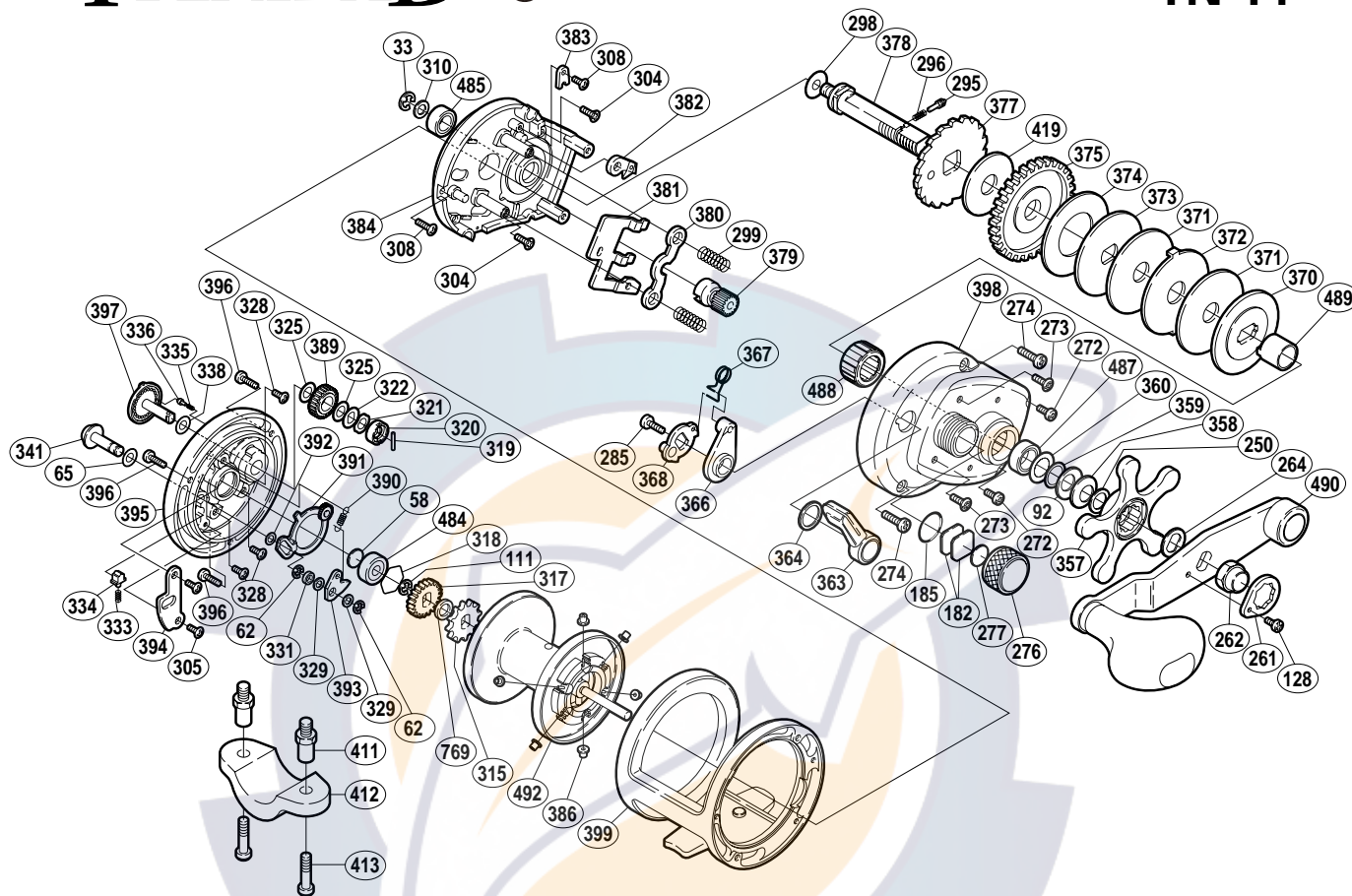


SHIMANO®

TRINIDAD ⚙️ A-RB

TN-14



| Part No. | Description | Part No. | Description | Part No. | Description |
|----------|-----------------------------|----------|-------------------------|----------|----------------------------|
| TGT0033 | Drive Shaft Retainer | TGT0320 | "BR" Cam | TGT0380 | Yoke |
| TGT0058 | Spacer "B" | TGT0321 | "BR" Friction Washer | TGT0381 | Yoke Plate |
| TGT0062 | Click Pawl Retainer | TGT0322 | "BR" Washer (C) | TGT0382 | Anti-Reverse Pawl |
| TGT0065 | Spacer (A) | TGT0325 | "BR" Washer (B) | TGT0383 | Anti-Reverse Pawl Keeper |
| TGT0092 | Drag Spring Washer (8H) | TGT0328 | "BR" Set Plate Screw | TGT0384 | Set Plate |
| TGT0111 | Click Gear Retainer | TGT0329 | Spacer (B) | TGT0386 | Brake Collar |
| TGT0128 | Handle Nut Plate Screw | TGT0331 | Click Pawl Spacer | TGT0389 | "BR" Gear (C) |
| TGT0182 | Cast Control Spacer (A) | TGT0333 | Click Spring | TGT0390 | Click Pawl Spring |
| TGT0185 | "O" Ring | TGT0334 | Click Spring Holder | TGT0391 | "BR" Set Plate |
| TGT0250 | Star Drag Washer | TGT0335 | "BR" Click Spring | TGT0392 | Spacer (D) |
| TGT0261 | Handle Nut Plate | TGT0336 | "BR" Click Pin | TGT0393 | Click Pawl |
| TGT0262 | Handle Nut | TGT0338 | "BR" Washer (D) | TGT0394 | Click Spring Retainer |
| TGT0264 | Drive Shaft Shield | TGT0341 | Click Button | TGT0395 | Left Side Plate |
| TGT0272 | Right Side Plate Screw (D) | TGT0357 | Star Drag | TGT0396 | Left Side Plate Screw |
| TGT0273 | Right Side Plate Screw (C) | TGT0358 | Drag Spring Washer (8L) | TGT0397 | "BR" Dial |
| TGT0274 | Right Side Plate Screw (A) | TGT0359 | Bearing Thrust Washer | TGT0398 | Right Side Plate |
| TGT0276 | Cast Control Cap | TGT0360 | Bearing Seal | TGT0399 | One-Piece Frame |
| TGT0277 | Cast Control Spacer (B) | TGT0363 | Clutch Lever | TGT0419 | Drag Washer (A) |
| TGT0285 | Clutch Lever Screw | TGT0364 | Smoother | TGT0484 | Ball Bearing |
| TGT0295 | Click Pin | TGT0366 | Eccentric Cam Bushing | TGT0485 | Ball Bearing |
| TGT0296 | Click Spring | TGT0367 | Clutch Spring | TGT0487 | Ball Bearing |
| TGT0298 | Drive Shaft Washer (B) | TGT0368 | Clutch Cam | TGT0488 | Roller Clutch Bearing |
| TGT0299 | Yoke Spring | TGT0370 | Key Washer | TGT0489 | Roller Clutch Inner Tube |
| TGT0304 | Set Plate Screw (B) | TGT0371 | Drag Washer (D) | TGT0490 | Handle Assembly |
| TGT0305 | Click Spring Retainer Screw | TGT0372 | Eared Washer (E) | TGT0492 | Spool Assembly |
| TGT0308 | Multi-Purpose Screw | TGT0373 | Key Washer (C) | TGT0769 | Spool Shaft Spacer |
| TGT0310 | Drive Shaft Washer (A) | TGT0374 | Drag Washer (B) | | |
| TGT0315 | Click Gear | TGT0375 | Drive Gear | | |
| TGT0317 | "BR" Gear (A) | TGT0377 | Anti-Reverse Ratchet | TGT0411 | Rod Clamp Nut (accessory) |
| TGT0318 | Bearing Retainer | TGT0378 | Drive Shaft | TGT0412 | Rod Clamp (accessory) |
| TGT0319 | "BR" Cam Pin | TGT0379 | Pinion Gear | TGT0413 | Rod Clamp Bolt (accessory) |