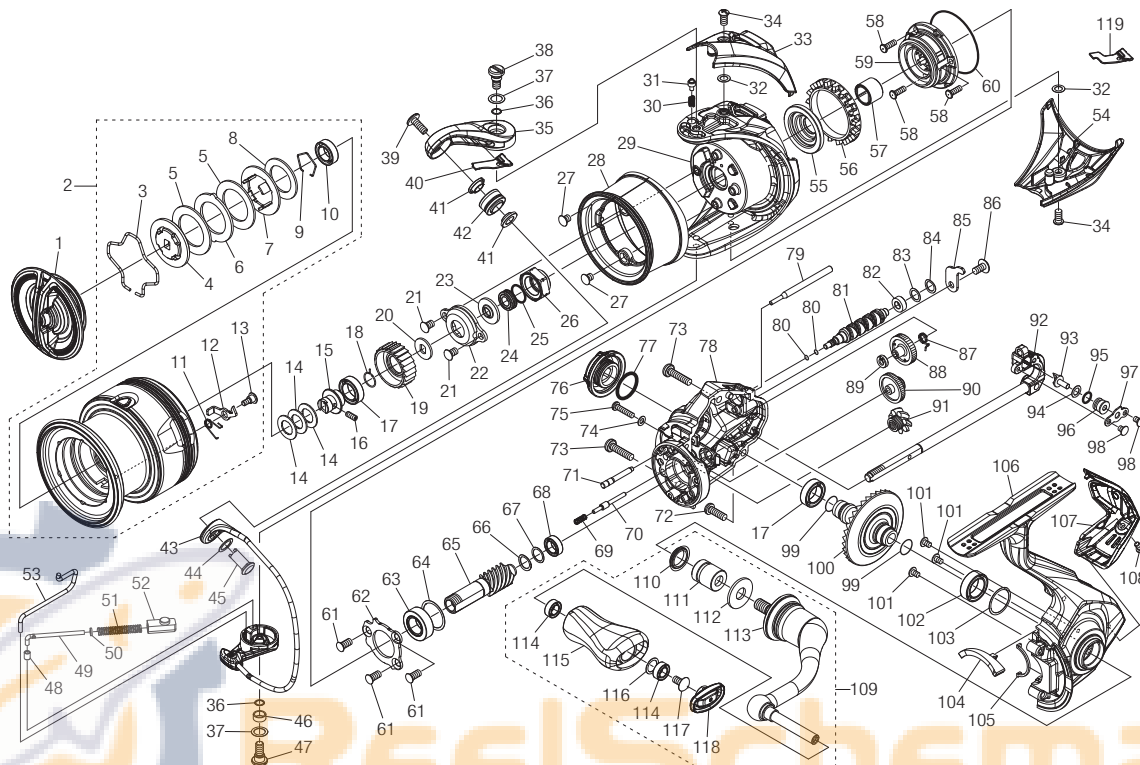


# SHIMANO

## TWIN POWER

TP-2500



(51SF804E25X)

Please note that the number of adjusting washers may not be the same as shown in the exploded views. (Adjustment will vary with each individual product.)

#	Part No.	Description	#	Part No.	Description	#	Part No.	Description
1	145NP	Drag Knob Assembly	44	1002S	Washer	87	10R5N	Idle Gear Spring
2	145NQ	Spool Assembly	45	13ZML	Line Roller Support	88	10R5L	Idle Gear
3	145QR	Retainer	46	101D0	Bushing	89	13Z11	Bushing
4	10TJV	Key Washer B	47	13Z1K	Screw	90	10R4Q	Idle Gear C
5	10R5H	Drag Washer A	48	10DKC	Bail Spring Guide A Bush	91	10R4R	Idle Gear (Large)
6	102XW	Eared Washer	49	10SAN	Bail Spring Guide A	92	13XDZ	Main Shaft Assembly
7	10BBQ	Key Washer A	50	101D9	Spring Guide A Support Collar	93	106VL	Oscillating Pawl
8	10R4W	Drag Washer B	51	10R2P	Bail Spring	94	100CV	Washer
9	10GEW	Bearing Retainer	52	10R2E	Bail Spring Guide B	95	108W9	O Ring
10	104JT	Ball Bearing	53	1463K	Bail Trip Lever	96	101BY	Oscillating Slider Bushing
11	10BQE	Drag Click Spring	54	10R4Z	Bail Hold Support Guard	97	10HAG	Oscillating Pawl Cover
12	10TNV	Drag Click	55	101D5	Rotor Ring	98	10R4V	Screw
13	10A6F	Screw	56	10DK7	Friction Ring	99	1009S	O Ring
14	10DHG	Spool Washer	57	10DJY	Roller Clutch Inner	100	13XE0	Drive Gear
15	10DKF	Spool Bearing Bushing	58	101LH	Screw	101	1055G	Screw
16	10PN2	Set Screw	59	10S2L	Roller Clutch Assembly	102	10EX8	Ball Bearing
17	104PP	Ball Bearing	60	10DKD	O Ring	103	1022D	Washer
18	107V2	Ratchet Spring	61	10TGX	Screw	104	10R4Y	Bail Trip Strike
19	10SYS	Drag Click Ratchet	62	10R53	Bearing Retainer	105	10DKA	Flange Water Proof
20	103PE	Spool Support	63	10R77	Ball Bearing	106	145NT	Side Cover Assembly
21	103LB	Screw	64	10RYR	Washer	107	13ZMK	Rear Protector
22	1076N	Nut Lock Plate	65	10R54	Pinion Gear	108	10EF0	Screw
23	1004T	Bearing Water Proof	66	10DJ1	Washer	109	145NU	Handle Assembly
24	13Z0W	Main Shaft Collar	67	143BL	Spacer	110	10PXU	Handle Shaft Seal
25	108WQ	O Ring	68	10RKR	Ball Bearing	111	10TJW	Handle Shaft Cover B
26	13Z0V	Rotor Nut	69	10R5T	Idle Gear Spring	112	10FJ6	Handle Washer
27	101C6	Screw	70	10R5K	Idle Gear Shaft	113	145NV	Handle Shank Assembly
28	10R4P	Rotor Brim	71	13XDV	Idle Gear C Shaft	114	104VX	Ball Bearing
29	145NR	Rotor Assembly	72	10M2A	Screw	115	1004X	Handle Knob
30	10CGZ	Click Spring	73	100YN	Screw	116	104FH	Washer
31	106UX	Click Pin	74	10GD4	Washer	117	103E9	Screw
32	105A2	Washer	75	1017M	Screw	118	10SML	Handle Knob Seal
33	10R4X	Bail Spring Cover	76	13Z13	Handle Screw Cap			
34	10RP9	Screw	77	108WH	O Ring			
35	13Z0U	Bail Arm	78	13Z0Z	Body			
36	10192	Washer	79	10R4U	Oscillating Guide			
37	10G6C	Washer	80	10092	O Ring			
38	13Z1M	Screw	81	10R55	Worm Shaft			
39	10K40	Screw	82	10TH6	Bushing			
40	10R52	Bail Arm Fin	83	100XZ	Washer			
41	1020L	Bearing Spacer	84	10TK0	Washer			
42	101KE	Line Roller Set	85	13XDY	Worm Shaft Retainer			
43	145NS	Bail Assembly	86	10QG5	Screw	119	10TD4	Bail Arm Fin (accessory)

(230811)\_002