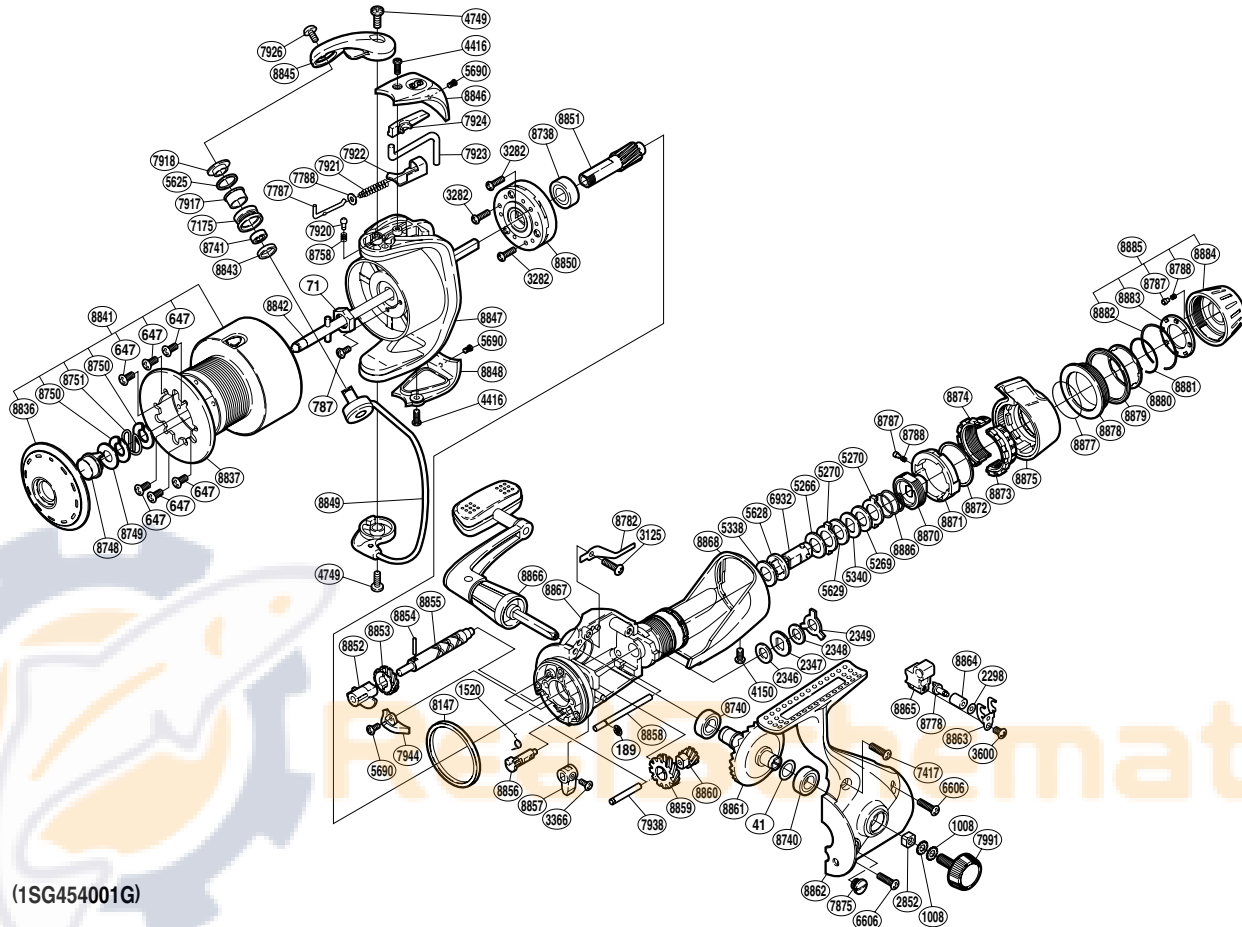


# SHIMANO®

## TWIN POWER

## TP-4000XTRA



(1SG454001G)

Part No.	Description	Part No.	Description	Part No.	Description
RD 0041	Drive Gear Washer	RD 7917	Line Roller Bushing	RD 8851	Pinion Gear
RD 0071	Rotor Nut	RD 7918	Line Roller Washer	RD 8852	Worm Bushing (front)
RD 0189	"E" Lock	RD 7920	Click Pin (A)	RD 8853	Idle Gear
RD 0647	Spool Insert Screw	RD 7921	Bail Spring	RD 8854	Worm Shaft Pin
RD 0787	Nut Lock Screw	RD 7922	Bail Spring Seat	RD 8855	Worm Shaft
RD 1008	Handle Lock Washer	RD 7923	Bail Trip Lever	RD 8856	Anti-Reverse Cam
RD 1520	Anti-Reverse Cam Spring	RD 7924	Bail Trip Cover	RD 8857	Anti-Reverse Lever
RD 2298	Spacer	RD 7926	Line Roller Screw	RD 8858	Oscillating Guide
RD 2346	Drag Washer "C" (cloth)	RD 7938	Idle Gear (B) Shaft	RD 8859	Idle Gear (B) Large
RD 2347	Click Gear	RD 7944	Bail Trip Strike	RD 8860	Idle Gear (B) Small
RD 2348	Drag Washer "C" (blue)	RD 7991	Handle Screw Cap	RD 8861	Drive Gear
RD 2349	Eared Washer "Bf"	RD 8147	Friction Ring	RD 8862	Side Cover
RD 2852	Handle Screw Lock	RD 8738	Ball Bearing	RD 8863	Oscillating Slider Retainer
RD 3125	Drag Click Screw	RD 8740	Ball Bearing	RD 8864	Oscillating Slider Bushing
RD 3282	Roller Clutch Screw	RD 8741	Ball Bearing	RD 8865	Oscillating Slider
RD 3366	Anti-Reverse Lever Screw	RD 8748	Push Button	RD 8866	Handle Assembly
RD 3600	Slider Retainer Screw	RD 8749	Small Hole Washer	RD 8867	Body
RD 4150	Rear Protector Screw	RD 8750	Large Hole Washer	RD 8868	Rear Protector
RD 4416	Protector Screw (A)	RD 8751	Locking Spring	RD 8870	Pressure Screw
RD 4749	Multi-Purpose Screw	RD 8758	Click Spring (A)	RD 8871	Lever Click Gear
RD 5266	Drag Washer "H" (cloth)	RD 8778	Oscillating Pawl	RD 8872	Fightin' Pressure Screw Washer
RD 5268	Drag Shaft (B)	RD 8782	Drag Click	RD 8873	Fightin' Pressure Screw
RD 5269	Drag Washer "H" (blue)	RD 8787	Click Pin (B)	RD 8874	Fightin' Pressure Screw (B)
RD 5270	Eared Washer "B"	RD 8788	Click Spring (B)	RD 8875	Fightin' Lever
RD 5338	Drag Washer "C" (cloth)	RD 8836	Push Button Collar	RD 8877	Drag Knob Friction Ring
RD 5340	Key Washer "A"	RD 8837	Spool Ring	RD 8878	Drag Programmer (B)
RD 5625	Line Roller Spacer	RD 8841	Spool Assembly	RD 8879	Drag Programmer (B) Ring
RD 5690	Multi-Purpose Screw	RD 8842	Main Shaft	RD 8880	Drag Knob Washer
RD 6606	Side Cover Screw (long)	RD 8843	Bearing Spacer	RD 8881	Drag Knob Retainer
RD 6932	Drag Shaft (A)	RD 8845	Bail Arm	RD 8882	Click Plate Retainer
RD 7175	Line Roller	RD 8846	Bail Spring Cover	RD 8883	Click Plate
RD 7417	Side Cover Screw (short)	RD 8847	Rotor	RD 8884	Drag Programmer (A)
RD 7787	Bail Spring Guide (A)	RD 8848	Bail Hold Support Guard	RD 8885	Drag Programmer Assembly
RD 7788	Spring Guide (A) Support	RD 8849	Bail Assembly	RD 8886	Drag Coil Spring
RD 7875	Oil Cap	RD 8850	Roller Clutch Assembly		