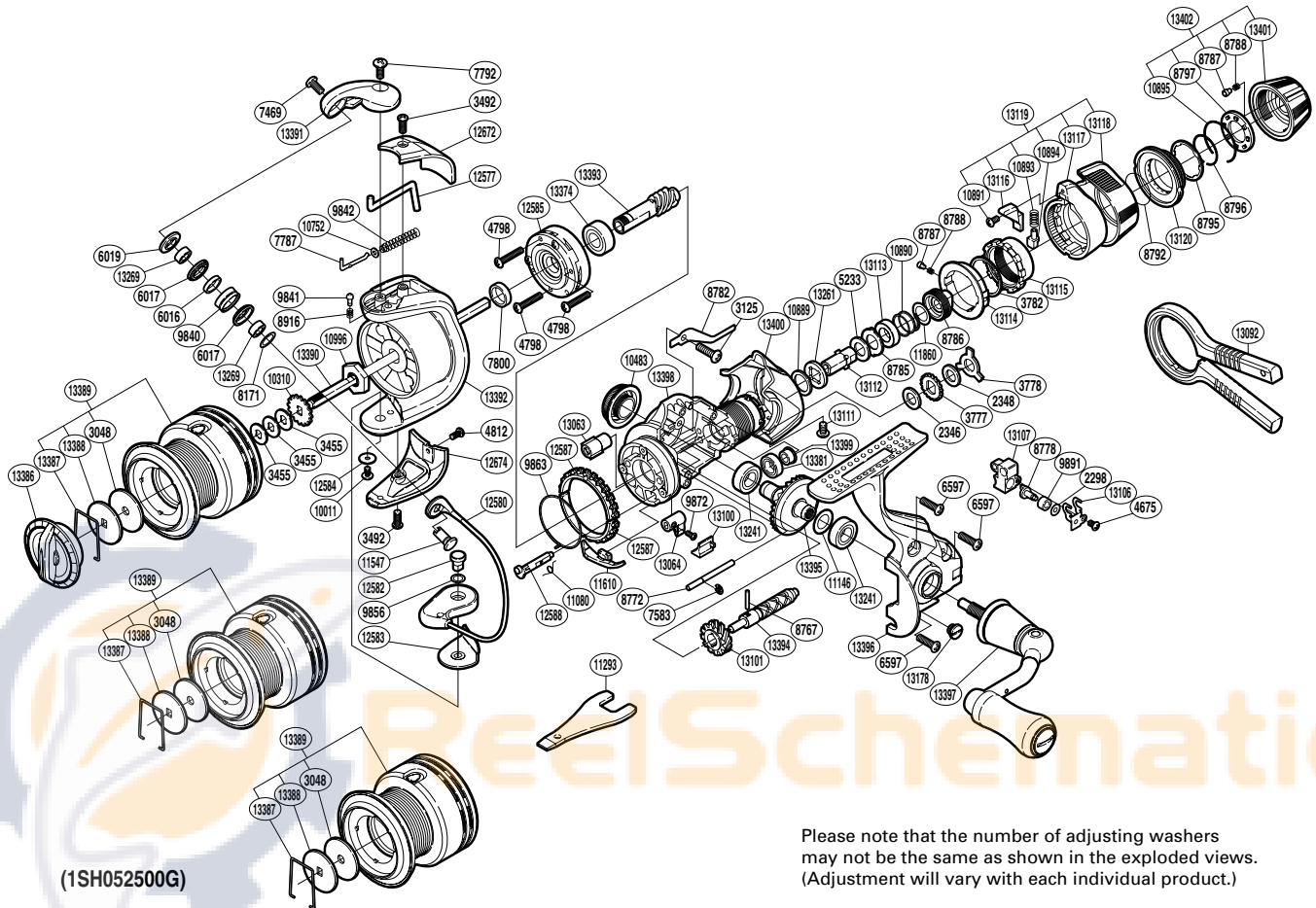


SHIMANO

TWIN POWER C14 SA-RB

TPCI4-2500RA



Please note that the number of adjusting washers may not be the same as shown in the exploded views. (Adjustment will vary with each individual product.)

Part No.	Description	Part No.	Description	Part No.	Description
RD 2298	Spacer	RD 9841	Click Pin	RD13111	Screw
RD 2346	Drag Washer	RD 9842	Bail Spring	RD13112	Drag Shaft A
RD 2348	Drag Washer	RD 9856	Washer	RD13113	Drag Collar
RD 3048	Drag Washer	RD 9863	Friction Spring	RD13114	Lever Click Gear
RD 3125	Screw	RD 9872	Screw	RD13115	Fightin' Pressure Screw
RD 3455	Spool Washer	RD 9891	Oscillating Slider Bushing	RD13116	Fightin' Lever Inner B
RD 3492	Screw	RD10011	Screw	RD13117	Fightin' Lever Inner A
RD 3777	Click Gear	RD10310	Spool Support	RD13118	Fightin' Lever Outer
RD 3778	Eared Washer	RD10483	Handle Screw Cap	RD13119	Fightin' Lever Assembly
RD 3782	Fightin' Pressure Screw Washer	RD10752	Spring Guide A Support	RD13120	Drag Programmer B
RD 4675	Screw	RD10889	Drag Washer	RD13178	Oil Cap
RD 4798	Screw	RD10890	Drag Coil Spring	RD13241	Ball Bearing
RD 4812	Screw	RD10891	Screw	RD13261	Drag Shaft B
RD 5233	Drag Washer	RD10893	Position Pin Spring	RD13269	Ball Bearing
RD 6016	Bearing Spacer	RD10894	Lever Position Pin	RD13374	Ball Bearing
RD 6017	Line Roller Bushing	RD10895	Click Plate Retainer	RD13381	Ball Bearing
RD 6019	Line Roller Plate	RD10996	Rotor Nut	RD13386	Drag Knob
RD 6597	Screw	RD11080	Anti-Reverse Cam Spring	RD13387	Drag Washers Retainer
RD 7469	Screw	RD11146	Washer	RD13388	Key Washer
RD 7583	E Lock	RD11547	Line Roller Support	RD13389	Spool Assembly
RD 7787	Bail Spring Guide A	RD11610	Bail Trip Strike	RD13390	Main Shaft
RD 7792	Screw	RD11860	Washer	RD13391	Bail Arm
RD 7800	Rotor Ring	RD12577	Bail Trip Lever	RD13392	Rotor
RD 8171	Washer	RD12580	Bail Assembly	RD13393	Pinion Gear
RD 8767	Worm Shaft Pin	RD12582	Bail Hold Support Shaft	RD13394	Worm Shaft
RD 8772	Oscillating Guide	RD12583	Bail Hold Support Spacer	RD13395	Drive Gear
RD 8778	Oscillating Pawl	RD12584	Washer	RD13396	Side Cover
RD 8782	Drag Click	RD12585	Roller Clutch Assembly	RD13397	Handle Assembly
RD 8785	Eared Washer	RD12587	Friction Ring	RD13398	Body
RD 8786	Pressure Screw	RD12588	Anti-Reverse Cam	RD13399	Drag Shaft C
RD 8787	Click Pin	RD12672	Bail Spring Cover	RD13400	Rear Protector
RD 8788	Click Spring	RD12674	Bail Hold Support Guard	RD13401	Drag Programmer A
RD 8792	Drag Knob Friction Ring	RD13063	Worm Bushing	RD13402	Drag Programmer Assembly
RD 8795	Drag Knob Washer	RD13064	Anti-Reverse Lever		
RD 8796	Drag Knob Retainer	RD13100	Anti-Reverse Lever Cover		
RD 8797	Click Plate	RD13101	Idle Gear		
RD 8916	Click Spring	RD13106	Oscillating Slider Retainer	RD11293	Wrench (accessory)
RD 9840	Line Roller	RD13107	Oscillating Slider	RD13092	Knob Wrench (accessory)