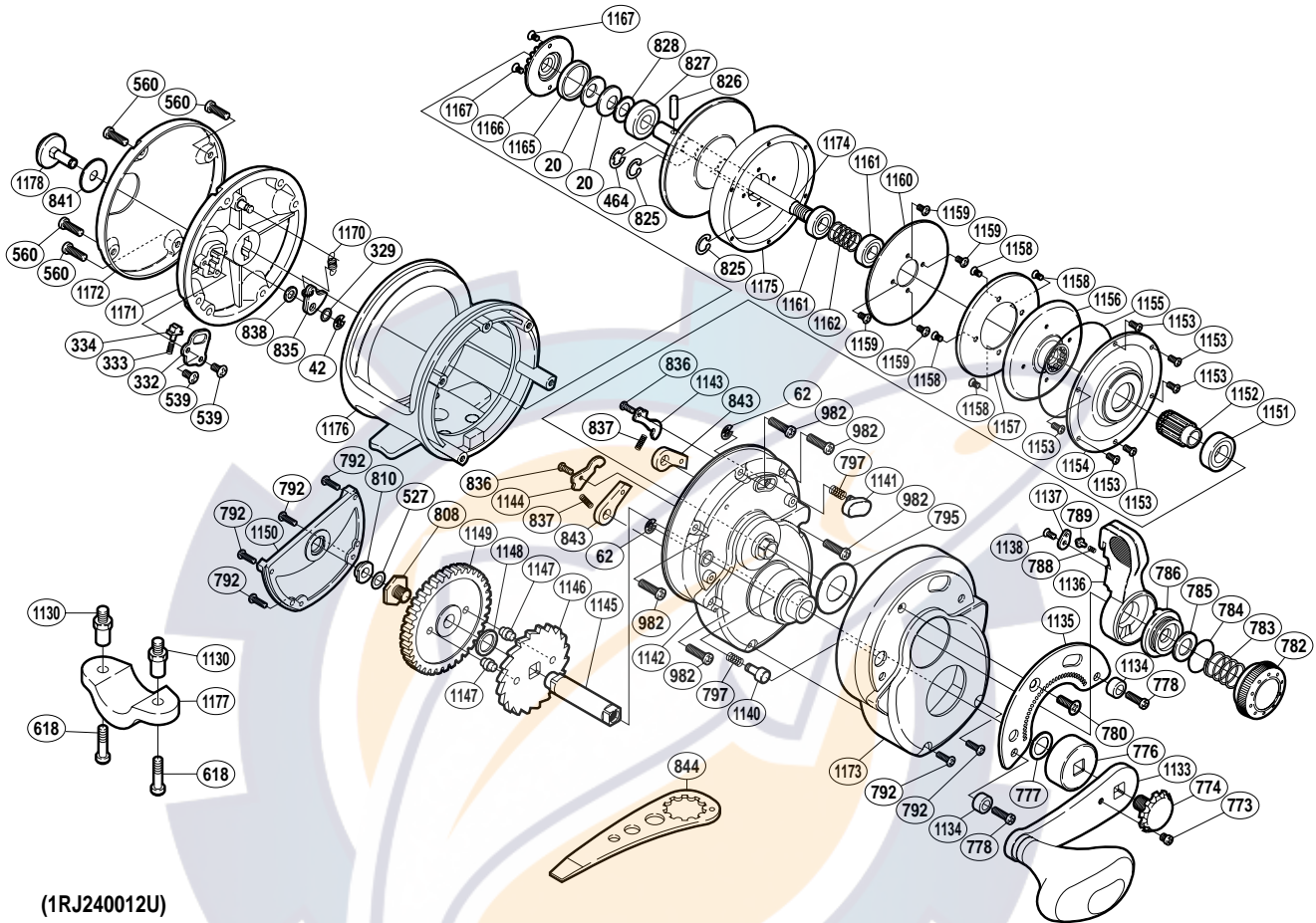


SHIMANO

TYRNOS A-RB

TYR-12



(1RJ240012U)

Part No.	Description	Part No.	Description	Part No.	Description
TGT0020	Coned Disc Spring	TGT0825	C Lock	TGT1152	Pinion Gear
TGT0042	E Lock	TGT0826	Cross Pin	TGT1153	Screw
TGT0062	E Lock	TGT0827	Ball Bearing	TGT1154	Cooling Shield
TGT0329	Spacer	TGT0828	Bearing Thrust Washer	TGT1155	O Ring
TGT0332	Click Spring Retainer	TGT0835	Click Pawl	TGT1156	Pinion Guard
TGT0333	Click Spring	TGT0836	Screw	TGT1157	Drag Plate
TGT0334	Click Spring Holder	TGT0837	Anti-Reverse Pawl Spring	TGT1158	Screw
TGT0464	E Lock	TGT0838	Spacer	TGT1159	Screw
TGT0527	Spacer	TGT0841	Click Button Spacer	TGT1160	Drag Washer
TGT0539	Screw	TGT0843	Anti-Reverse Pawl	TGT1161	Ball Bearing
TGT0560	Screw	TGT0982	Screw	TGT1162	Pressure Release Spring
TGT0773	Screw	TGT1133	Handle	TGT1165	Click Gear Spacer
TGT0774	Handle Bolt	TGT1134	Screw Shield	TGT1166	Click Gear
TGT0776	Gear Shaft Shield	TGT1135	Lever Quadrant	TGT1167	Screw
TGT0777	Gear Shaft Thrust Washer	TGT1136	Drag Control Lever	TGT1170	Click Pawl Spring
TGT0778	Screw	TGT1137	Lever Click Cover	TGT1171	Left Side Plate
TGT0780	Screw	TGT1138	Screw	TGT1172	Left Side Plate Cover
TGT0782	Pre-Program Dial	TGT1140	Free Spool Detent	TGT1173	Right Side Plate Cover
TGT0783	Dial Spring	TGT1141	Strike Stop	TGT1174	Spool Shaft
TGT0784	O Ring	TGT1142	Right Side Plate	TGT1175	Spool
TGT0785	Drag Cam Washer	TGT1143	Anti-Reverse Pawl Keeper A	TGT1176	One-Piece Frame
TGT0786	Lever Shaft Body	TGT1144	Anti-Reverse Pawl Keeper B	TGT1178	Click Button
TGT0788	Lever Click Shoe	TGT1145	Drive Shaft		
TGT0789	Lever Click	TGT1146	Anti-Reverse Ratchet		
TGT0792	Screw	TGT1147	Anti-Reverse Ratchet Pin	TGT0618	Rod Clamp Bolt (accessory)
TGT0795	Lever Thrust Ring	TGT1148	Anti-Reverse Ratchet Spacer	TGT1130	Rod Clamp Nut (accessory)
TGT0797	Pressure Spring	TGT1149	Drive Gear	TGT1177	Rod Clamp (accessory)
TGT0808	Drive Shaft Screw	TGT1150	Right Side Seal		
TGT0810	Drive Shaft Bushing	TGT1151	Ball Bearing	TGT0844	Wrench (accessory)