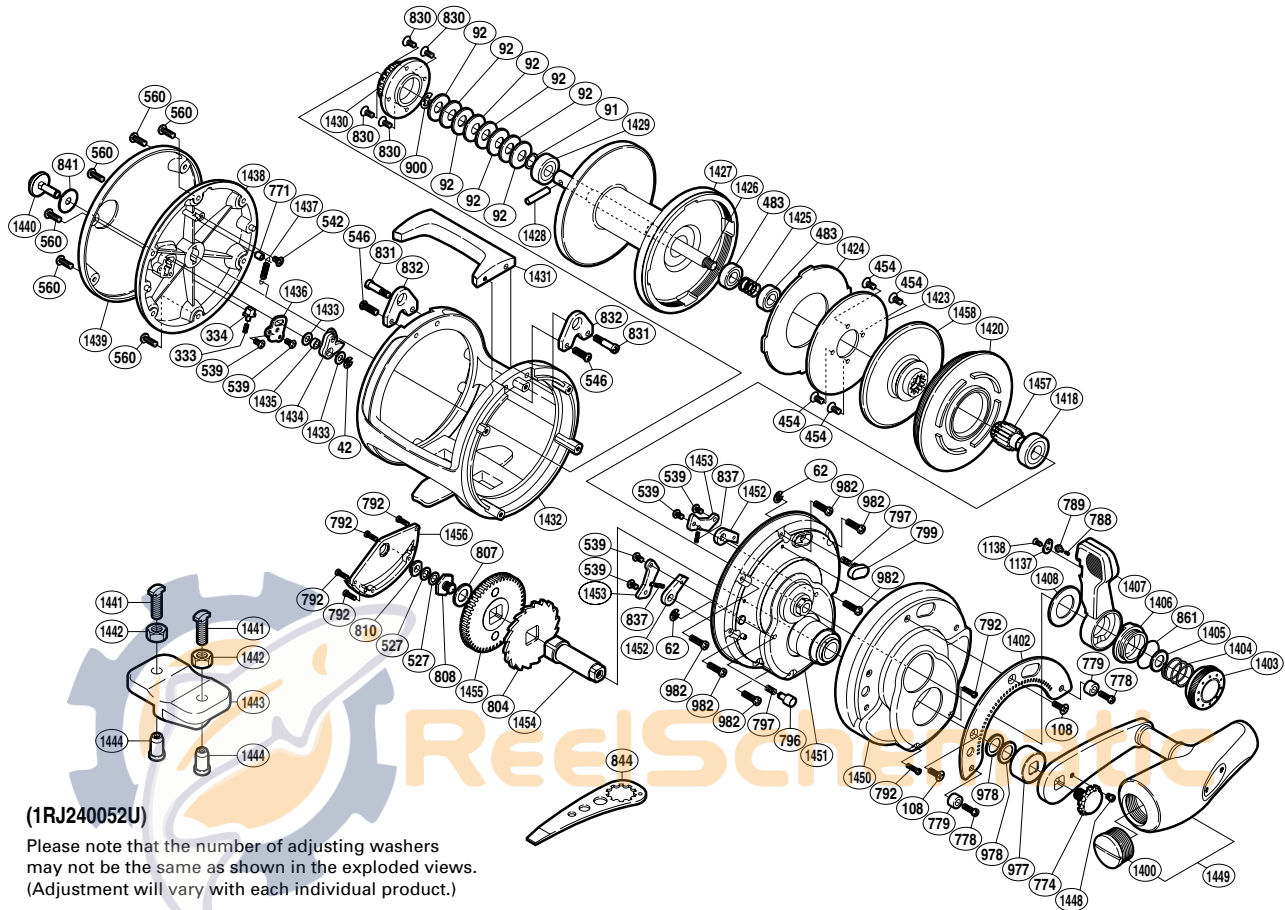


SHIMANO

TYRNOS A-RB

TYR-50LRS



(1RJ240052U)

Please note that the number of adjusting washers may not be the same as shown in the exploded views. (Adjustment will vary with each individual product.)

Part No.	Description	Part No.	Description	Part No.	Description
TGT0042	E Lock	TGT0831	Harness Lug Screw	TGT1431	Cross Bar
TGT0062	E Lock	TGT0832	Harness Lug	TGT1432	One-Piece Frame
TGT0091	Bearing Thrust Washer	TGT0837	Anti-Reverse Pawl Spring	TGT1433	Spacer
TGT0092	Coned Disc Spring	TGT0841	Click Button Spacer	TGT1434	Click Pawl
TGT0108	Screw	TGT0861	O Ring	TGT1435	Click Pawl Bushing
TGT0333	Click Spring	TGT0900	E Lock	TGT1436	Click Spring Retainer
TGT0334	Click Spring Holder	TGT0977	Drive Shaft Shield	TGT1437	Click Pawl Spring
TGT0454	Screw	TGT0978	Washer	TGT1438	Left Side Plate
TGT0483	Ball Bearing	TGT0982	Screw	TGT1439	Left Side Plate Cover
TGT0527	Spacer	TGT1137	Lever Click Cover	TGT1440	Click Button
TGT0539	Screw	TGT1138	Screw	TGT1448	Screw
TGT0542	Screw	TGT1400	Handle Knob Bushing	TGT1449	Handle Assembly
TGT0546	Screw	TGT1402	Lever Quadrant	TGT1450	Right Side Plate Cover
TGT0560	Screw	TGT1403	Pre-Program Dial	TGT1451	Right Side Plate
TGT0771	Click Pawl Spring Boss Ring	TGT1404	Dial Spring	TGT1452	Anti-Reverse Pawl
TGT0774	Handle Bolt	TGT1405	Washer	TGT1453	Anti-Reverse Pawl Keeper
TGT0778	Screw	TGT1406	Lever Shaft Body	TGT1454	Drive Shaft
TGT0779	Screw Shield	TGT1407	Drag Control Lever	TGT1455	Drive Gear
TGT0788	Lever Click Shoe	TGT1408	Lever Thrust Washer	TGT1456	Right Side Seal
TGT0789	Lever Click	TGT1418	Ball Bearing	TGT1457	Pinion Gear
TGT0792	Screw	TGT1420	Cooling Shield	TGT1458	Pinion Guard
TGT0796	Free Spool Detent	TGT1423	Drag Plate		
TGT0797	Pressure Spring	TGT1424	Drag Washer		
TGT0799	Strike Stop	TGT1425	Pressure Release Spring	TGT1441	Rod Clamp Bolt (accessory)
TGT0804	Anti-Reverse Ratchet	TGT1426	Main Shaft	TGT1442	Rod Clamp Nut B (accessory)
TGT0807	Drive Gear Spacer	TGT1427	Spool	TGT1443	Rod Clamp (accessory)
TGT0808	Drive Shaft Screw	TGT1428	Cross Pin	TGT1444	Rod Clamp Nut A (accessory)
TGT0810	Drive Shaft Bushing	TGT1429	Ball Bearing		
TGT0830	Screw	TGT1430	Click Gear	TGT0844	Wrench (accessory)