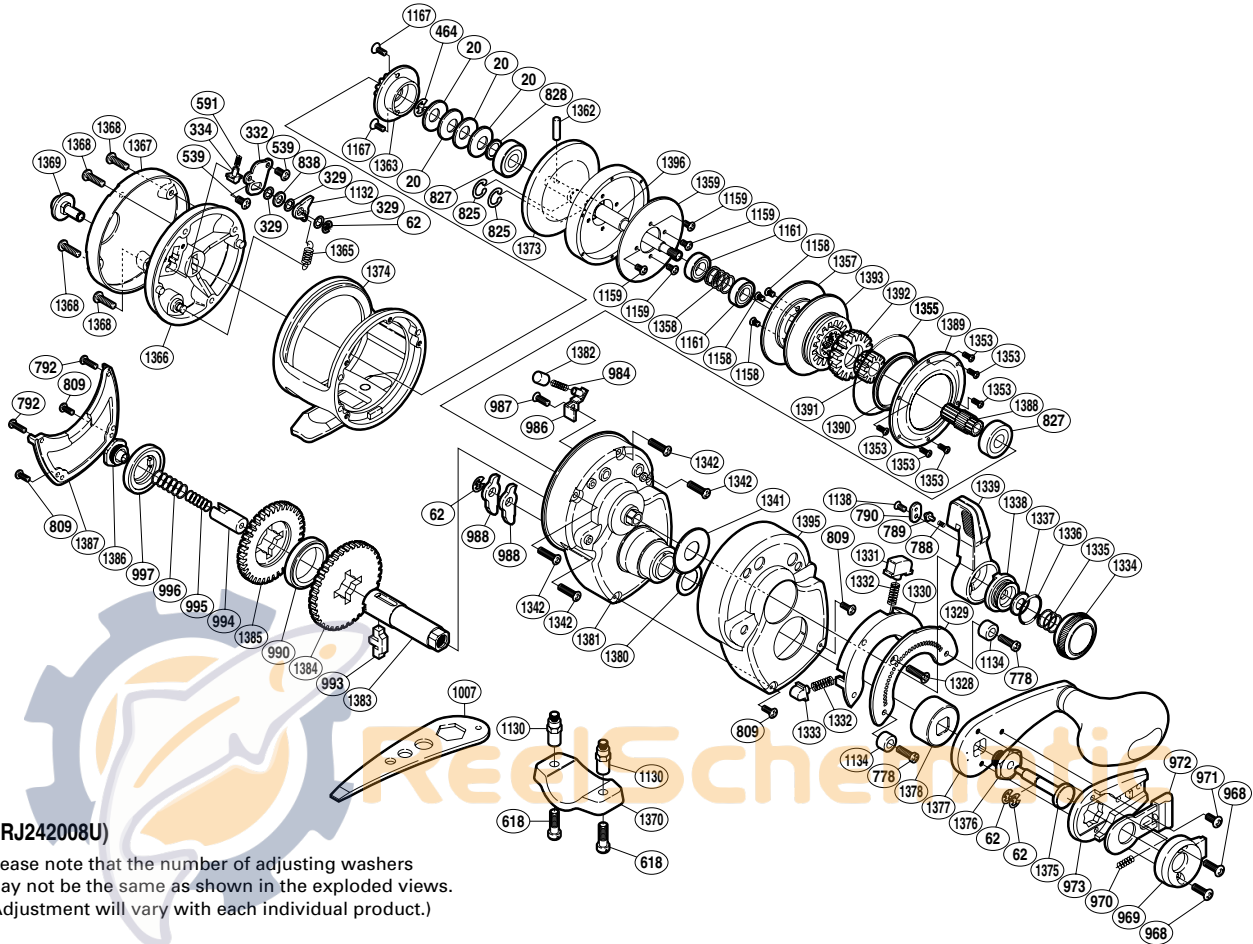


SHIMANO

TYRNOS A-RB

TYR-8II



(1RJ242008U)

Please note that the number of adjusting washers may not be the same as shown in the exploded views. (Adjustment will vary with each individual product.)

Part No.	Description	Part No.	Description	Part No.	Description
TGT0020	Coned Disc Spring	TGT0996	Drive Shaft Spring	TGT1367	Left Side Plate Cover
TGT0062	E Lock	TGT0997	Friction Washer	TGT1368	Screw
TGT0329	Spacer	TGT1132	Click Pawl	TGT1369	Click Button
TGT0332	Click Spring Retainer	TGT1134	Screw Shield	TGT1373	Spool
TGT0334	Click Spring Holder	TGT1138	Screw	TGT1374	One-Piece Frame
TGT0464	E Lock	TGT1158	Screw	TGT1375	Push Low Button Shaft
TGT0539	Screw	TGT1159	Screw	TGT1376	Handle Bolt
TGT0591	Click Spring	TGT1161	Ball Bearing	TGT1377	Handle
TGT0778	Screw	TGT1167	Screw	TGT1378	Drive Shaft Shield
TGT0788	Lever Click Shoe	TGT1328	Screw	TGT1380	Washer
TGT0789	Lever Click	TGT1329	Lever Quadrant	TGT1381	Right Side Plate
TGT0790	Lever Click Cover	TGT1330	Right Side Plate B	TGT1382	Anti-Reverse Pawl Spring Guide
TGT0792	Screw	TGT1331	Screw Shield	TGT1383	Drive Shaft
TGT0809	Screw	TGT1332	Pressure Spring	TGT1384	Drive Gear A
TGT0825	C Lock	TGT1333	Free Spool Detent	TGT1385	Drive Gear B
TGT0827	Ball Bearing	TGT1334	Pre-Program Dial	TGT1386	Drive Shaft Screw
TGT0828	Bearing Thrust Washer	TGT1335	Dial Spring	TGT1387	Right Side Seal
TGT0838	Spacer	TGT1336	O Ring	TGT1388	Pinion Gear A
TGT0968	Screw	TGT1337	Drag Cam Washer	TGT1389	Cooling Shield
TGT0969	Push Button Shield	TGT1338	Lever Shaft Body	TGT1390	Waterproof Ring
TGT0970	Slide Plate Spring	TGT1339	Drag Control Lever	TGT1391	Pinion Gear B
TGT0971	Screw	TGT1341	Lever Thrust Washer	TGT1392	Pinion Gear C
TGT0972	Slide Plate	TGT1342	Screw	TGT1393	Pinion Guard
TGT0973	Handle Bolt Plate	TGT1353	Screw	TGT1395	Right Side Plate Cover
TGT0984	Dog Spring	TGT1355	O Ring	TGT1396	Spool Shaft
TGT0986	Guard Against Dog	TGT1357	Drag Plate		
TGT0987	Screw	TGT1358	Pressure Release Spring		
TGT0988	Dog	TGT1359	Drag Washer	TGT0618	Rod Clamp Bolt (accessory)
TGT0990	Friction Washer	TGT1362	Cross Pin	TGT1130	Rod Clamp Nut (accessory)
TGT0993	Gear Select Cross Bar	TGT1363	Click Gear	TGT1370	Rod Clamp (accessory)
TGT0994	Cross Bar Stop	TGT1365	Click Pawl Spring		
TGT0995	Drive Shaft Spring B	TGT1366	Left Side Plate	TGT1007	Wrench (accessory)