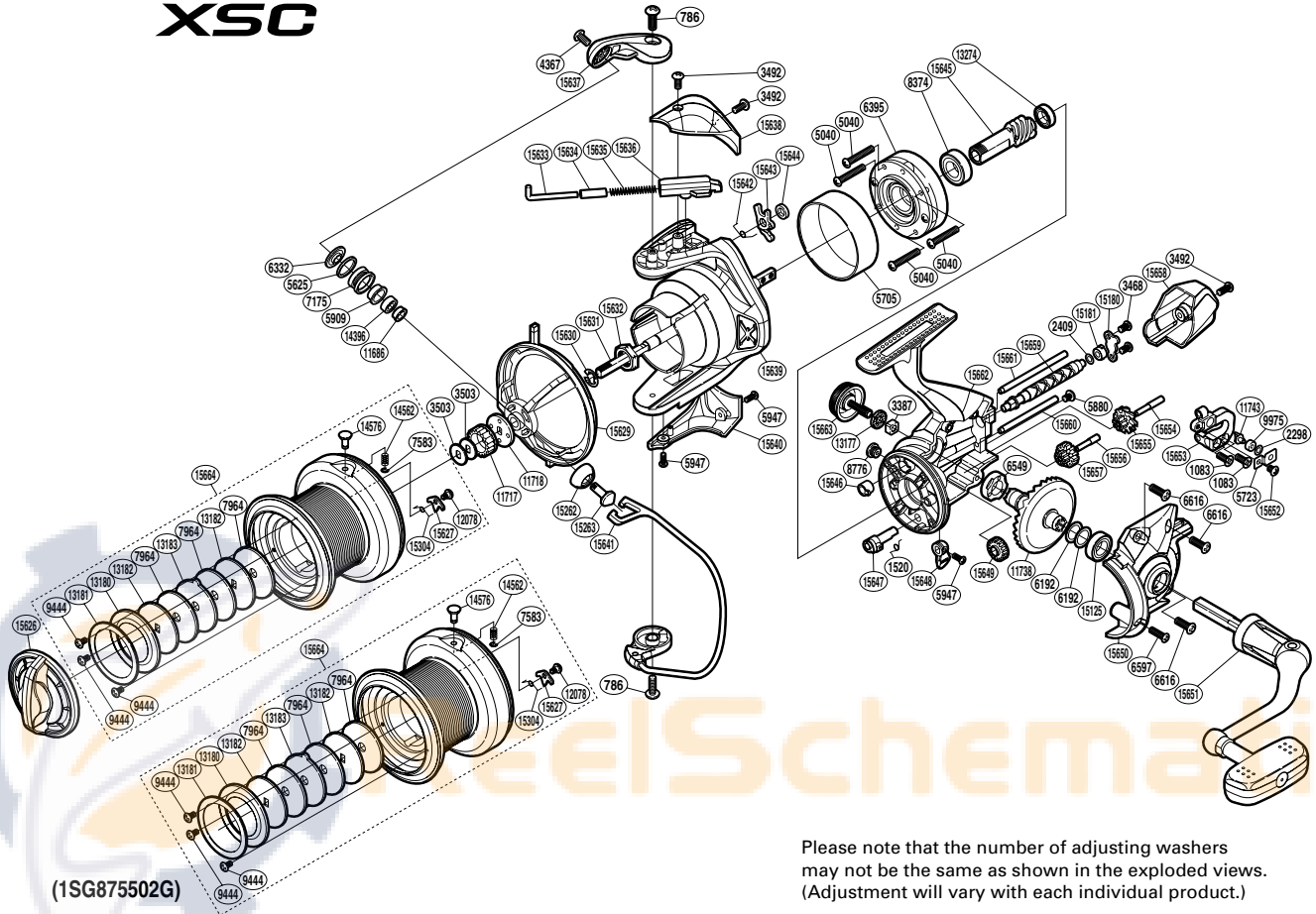


SHIMANO

ULTEGRA XSC



UL-5500XSC



Please note that the number of adjusting washers may not be the same as shown in the exploded views. (Adjustment will vary with each individual product.)

Part No.	Description	Part No.	Description	Part No.	Description
RD 0786	Screw ****	RD11718	Spool Support B	RD15640	Bail Hold Support Guard
RD 1083	Screw	RD11738	Drive Gear **	RD15641	Bail Assembly
RD 1520	Anti-Reverse Cam Spring	RD11743	Oscillating Pawl ***	RD15642	Lever Spring
RD 2298	Spacer ***	RD12078	Screw *****	RD15643	Bail Trip Lever
RD 2409	Spacer ***	RD13177	Handle Screw Cap Spacer	RD15644	Washer
RD 3387	Handle Screw Lock	RD13180	Seal Plate A	RD15645	Pinion Gear **
RD 3468	Screw	RD13181	Seal Plate B	RD15646	Worm Bushing (front) ***
RD 3492	Screw	RD13182	Key Washer	RD15647	Anti-Reverse Cam
RD 3503	Spool Washer	RD13183	Eared Washer	RD15648	Anti-Reverse Lever
RD 4367	Screw *	RD13274	Ball Bearing *****	RD15649	Idle Gear **
RD 5040	Screw	RD14396	Ball Bearing *	RD15650	Side Cover
RD 5625	Line Roller Spacer *	RD14562	Line Clip Spring	RD15651	Handle Assembly
RD 5705	Roller Clutch Ring	RD14576	Line Clip	RD15652	Screw
RD 5723	Oscillating Pawl Cover	RD15125	Ball Bearing *****	RD15653	Oscillating Slider
RD 5880	Screw	RD15180	Worm Shaft Retainer	RD15654	Idle Gear B Shaft
RD 5909	Line Roller Bushing *	RD15181	Worm Bushing (rear) ***	RD15655	Idle Gear B **
RD 5947	Screw	RD15262	Line Roller Support Cover	RD15656	Idle Gear C Shaft
RD 6192	Washer **/*****	RD15263	Line Roller Support *	RD15657	Idle Gear C **
RD 6332	Line Roller Washer *	RD15304	Drag Click Spring *****	RD15658	Rear Protector
RD 6395	Roller Clutch Assembly	RD15626	Drag Knob	RD15659	Worm Shaft ***
RD 6549	Drive Gear Bushing *****	RD15627	Drag Click *****	RD15660	Oscillating Guide A
RD 6597	Screw	RD15629	Line Safety Guard	RD15661	Oscillating Guide B
RD 6616	Screw	RD15630	Bearing Retainer	RD15662	Body
RD 7175	Line Roller *	RD15631	Main Shaft	RD15663	Handle Screw Cap
RD 7583	E Lock	RD15632	Rotor Nut	RD15664	Spool Assembly
RD 7964	Drag Washer	RD15633	Bail Spring Guide A ****		
RD 8374	Ball Bearing *****	RD15634	Bail Spring Guide A Support ****	PK 0118	Line Roller Set *
RD 8776	Oil Cap	RD15635	Bail Spring ****	PK 0148	Gear Set **
RD 9444	Screw	RD15636	Bail Spring Guide B ****	PK 0149	Oscillation Set ***
RD 9975	Oscillating Slider Bushing ***	RD15637	Bail Arm	PK 0150	Bail Spring Set ****
RD11686	Bearing Spacer *	RD15638	Bail Spring Cover	PK 0151	Bearing Set *****
RD11717	Spool Support A	RD15639	Rotor	PK 0152	Drag Clicker Set *****