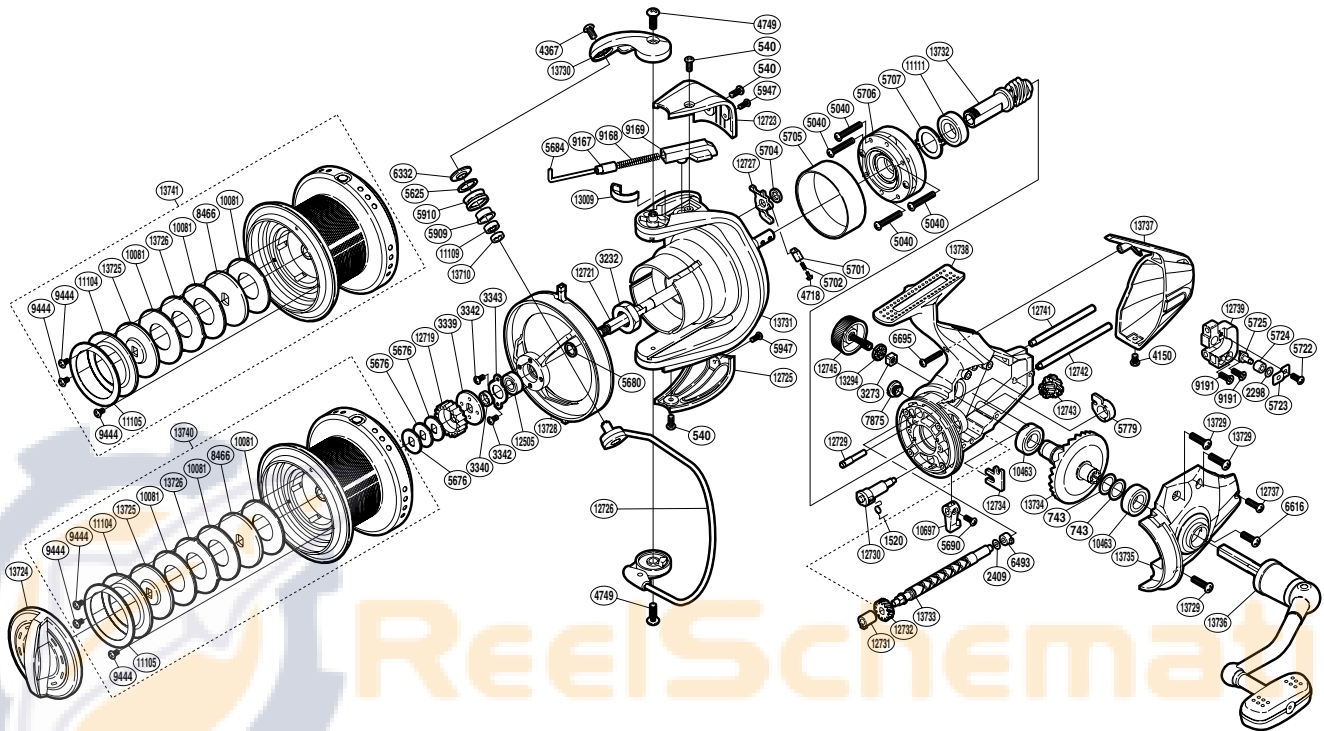


SHIMANO

ULTEGRA CI4 XSA SA-RB

ULCI4-14000XSA



Please note that the number of adjusting washers may not be the same as shown in the exploded views. (Adjustment will vary with each individual product.)

(1SH12900G)

Part No.	Description	Part No.	Description	Part No.	Description
RD 0540	Screw	RD 5779	Bushing	RD12731	Worm Bushing (front)
RD 0743	Washer	RD 5909	Line Roller Bushing	RD12732	Idle Gear
RD 1520	Anti-Reverse Cam Spring	RD 5910	Line Roller	RD12734	Worm Shaft Retainer
RD 2298	Spacer	RD 5947	Screw	RD12737	Screw
RD 2409	Spacer	RD 6332	Line Roller Washer	RD12739	Oscillating Slider
RD 3232	Rotor Nut	RD 6493	Worm Bushing (rear)	RD12741	Oscillating Guide A
RD 3273	Handle Screw Lock	RD 6616	Screw	RD12742	Oscillating Guide B
RD 3339	Spool Support B	RD 6695	Screw	RD12743	Idle Gear B
RD 3340	Line Safety Guard Spacer	RD 7875	Oil Cap	RD12745	Handle Screw Cap
RD 3342	Screw	RD 8466	Key Washer	RD13009	Angle Controller
RD 3343	Bearing Retainer	RD 9167	Bail Spring Guide A Support	RD13294	Handle Screw Lock Washer
RD 4150	Screw	RD 9168	Bail Spring	RD13710	Bearing Spacer
RD 4367	Screw	RD 9169	Bail Spring Guide B	RD13724	Drag Knob
RD 4718	Lever Spring Guide A	RD 9191	Screw	RD13725	Key Washer
RD 4749	Screw	RD 9444	Screw	RD13726	Eared Washer
RD 5040	Screw	RD10081	Drag Washer	RD13728	Line Safety Guard
RD 5625	Line Roller Spacer	RD10463	Ball Bearing	RD13729	Screw
RD 5676	Spool Washer	RD10697	Anti-Reverse Lever	RD13730	Bail Arm
RD 5680	Spacer	RD11104	Seal Plate A	RD13731	Rotor
RD 5684	Bail Spring Guide A	RD11105	Seal Plate B	RD13732	Pinion Gear
RD 5690	Screw	RD11109	Ball Bearing	RD13733	Worm Shaft
RD 5701	Lever Spring Guide B	RD11111	Ball Bearing	RD13734	Drive Gear
RD 5702	Lever Spring	RD12505	Ball Bearing	RD13735	Side Cover
RD 5704	Trip Lever Spacer	RD12719	Spool Support A	RD13736	Handle Assembly
RD 5705	Roller Clutch Ring	RD12721	Main Shaft	RD13737	Rear Protector
RD 5706	Roller Clutch Assembly	RD12723	Bail Spring Cover	RD13738	Body
RD 5707	Bearing Washer	RD12725	Bail Hold Support Guard	RD13740	Spool Assembly
RD 5722	Screw	RD12726	Bail Assembly		
RD 5723	Oscillating Pawl Cover	RD12727	Bail Trip Lever		
RD 5724	Oscillating Slider Bushing	RD12729	Idle Gear B Shaft		
RD 5725	Oscillating Pawl	RD12730	Anti-Reverse Cam	RD13741	Spare Spool Assembly