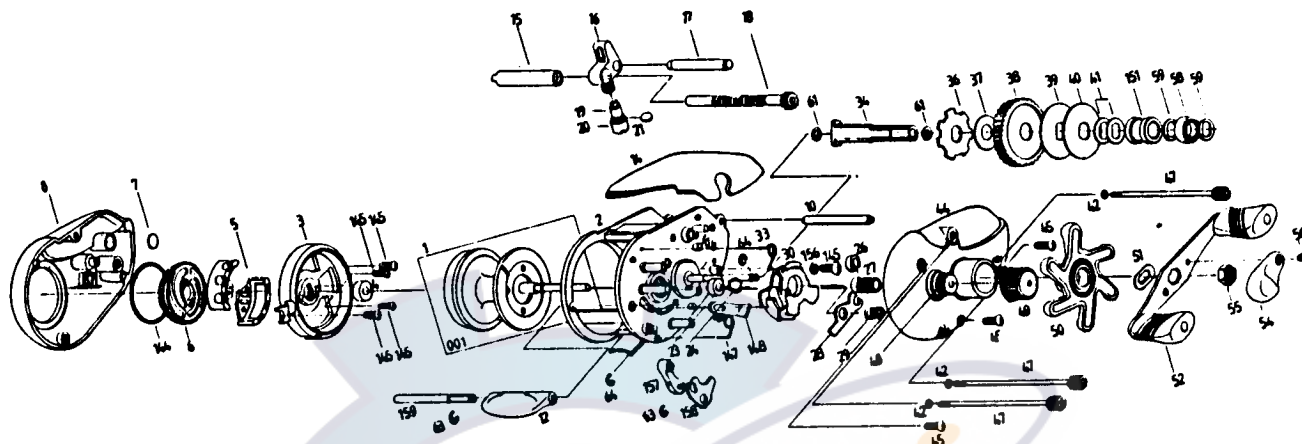


# SILSTAR

EDGE



REF.NO	PART NO.	DESCRIPTION	PRICE	REF. NO.	PART NO.	DESCRIPTION	PRICE
1	001-5129	SPOOL ASSY	\$5.25	36	036-0001	RATCHET	\$0.35
2	002-5129	FRAME	\$4.50	37	037-0001	FIBER W/S	\$0.35
3	003-5129	SPOOL FLANGE	\$0.47	38	038-5129	D-GEAR	\$1.60
4	004-0001	BEARING	\$0.35	39	039-0001	B W/S	\$0.35
5	005-5129	MAG. H/O ASSY	\$3.10	40	040-0001	D W/S	\$0.35
6	006-5129	MAG. ADJ.	\$0.35	41	041-0001	S/P W/S	\$0.35
7	007-0001	CARRIAGE S/C W/S	\$0.35	42	042-5130	STAB. BAR W/S	\$0.35
8	008-5130	LEFT C/O ASSY	\$2.67	44	044-5130	RIGHT C/O ASSY	\$3.75
9	009-5130	SPOOL T/S W/S	\$0.35	45	045-5129	SCREW	\$0.35
10	010-5130	STAB BAR	\$0.35	47	047-5130	STAB. BAR W/S	\$1.95
12	012-5129	PUSH BUTTON	\$0.35	48	048-5130	C-RING	\$0.35
14	014-5130	TOP COVER	\$1.60	49	049-5129	CAST CONTROL CAP	\$0.87
15	015-5130	LEVER WIND GUIDE	\$0.60	50	050-5129	STAR DRAG	\$0.35
16	016-5129	L-G/P H/O ASSY	\$1.10	51	051-0001	FRICTION W/S	\$0.35
17	017-5130	STAB BAR	\$0.35	52	058-5129	HANDLE ASSY	\$2.67
18	018-5129	CARRIAGE S/C ASSY	\$5.85	54	054-5129	H-NUT CAP	\$0.35
19	019-0001	L-G/P	\$0.75	55	055-5129	H-NUT	\$0.35
20	020-0001	PAWL CAP	\$0.35	56	056-0001	SCREW	\$0.35
21	021-0001	PAWL ADJ W/S	\$0.35	58	058-0001	BALL BEARING	\$3.10
24	023-5130	BEARING RETAINER	\$0.35	59	059-0001	D-W/S	\$0.35
26	024-0001	YOKE COLLAR	\$0.35	75	075-5129	SCREW	\$0.35
27	027-5129	PINION ASSY	\$1.45	144	144-5129	T/S W/S	\$0.35
28	028-5129	YOKE	\$0.35	145	145-5129	SCREW	\$0.35
29	029-5129	YOKE PUSH S/P	\$0.35	146	146-5129	SCREW	\$0.35
30	030-5129	CLUTCH ARM	\$0.52	147	147-5129	RETURN PAWL S/P	\$0.35
33	033-0001	CLUTCH ARM S/P	\$0.35	148	148-5129	CLUTCH RETURN PAWL	\$0.35
34	034-0001	DRIVE SHAFT	\$1.80	149	149-5129	SCREW	\$0.35
35	035-0001	A-R-PAWL ASSY	\$0.60	150	150-5129	BEARING	\$0.35
				151	151-5129	BUSH	\$0.35
				152	152-5129	BEARING PLATE	\$0.35
				156	156-5129	WASHER	\$0.35

**PARTS LIST FOR SILSTAR : EDGE**

\* When ordering parts for your Silstar reel, be sure to include the following:

- 1) Complete Model Number and Letter. Example: BT 80 B
- 2) Specify Color for FX, BT,CX,ER,EC series reels.