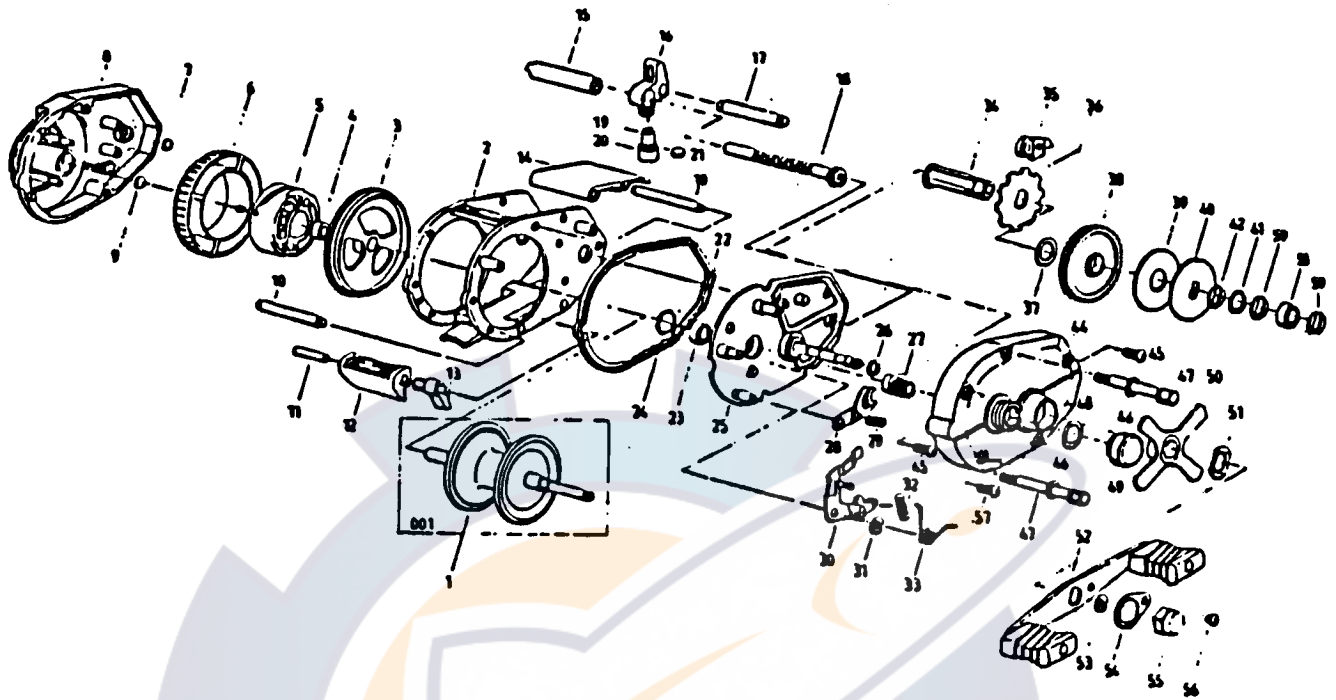


# SILSTAR

## STARLITE I



| REF.NO | PART NO. | DESCRIPTION        | PRICE  | REF. NO. | PART NO. | DESCRIPTION           | PRICE  |
|--------|----------|--------------------|--------|----------|----------|-----------------------|--------|
| 1      | 001-0003 | SPOOL ASSY         | \$3.00 | 30       | 030-0001 | YOKE PLATE ASSY       | \$0.50 |
| 2      | 002-0003 | FRAME              | \$2.25 | 31       | 031-0001 | RETAINER              | \$0.35 |
| 3      | 003-0001 | FRAME COLLAR       | \$0.40 | 32       | 032-0001 | YOKE S/P              | \$0.35 |
| 4      | 004-0001 | BEARING            | \$3.10 | 33       | 033-0001 | YOKE PLATE S/P        | \$0.35 |
| 5      | 005-0001 | MAGNET HOLDER ASSY | \$3.00 | 34       | 034-0001 | DRIVE SHAFT           | \$1.00 |
| 6      | 006-0001 | ADJUST HOLDER      | \$0.35 | 35       | 035-0001 | A-R-PAWL ASSY         | \$0.35 |
| 7      | 007-0001 | CARRIAGE S/C W/S   | \$0.35 | 36       | 036-0001 | RATCHET               | \$0.35 |
| 8      | 008-0005 | L.S. PLATE ASSY    | \$2.00 | 37       | 037-0001 | WASHER                | \$0.35 |
| 9      | 009-0001 | SPOOL TENSION W/S  | \$0.35 | 38       | 038-0002 | DRIVE GEAR            | \$1.00 |
| 10     | 010-0001 | TOP C/O BAR        | \$0.35 | 39       | 039-0001 | WASHER                | \$0.35 |
| 11     | 011-0001 | PUSH LEVER BAR     | \$0.35 | 40       | 040-0001 | DISK D W/S            | \$0.35 |
| 12     | 012-0001 | PUSH LEVER         | \$0.35 | 41       | 041-0001 | WASHER                | \$0.35 |
| 13     | 013-0001 | LEVER HOLDER       | \$0.35 | 42       | 042-0001 | S/P W/S               | \$0.35 |
| 14     | 014-0005 | TOP COVER          | \$0.35 | 44       | 044-0005 | RIGHT SIDE PLATE      | \$2.00 |
| 15     | 015-0001 | LEVER WIDE GUIDE   | \$0.50 | 45       | 045-0001 | SCREW                 | \$0.35 |
| 16     | 016-0001 | L.G. PAWL HOLDER   | \$0.50 | 46       | 046-0001 | STABILIZER BAR W/S    | \$0.35 |
| 17     | 017-0001 | STABILIZER BAR     | \$0.35 | 47       | 047-0001 | STABILIZER BAR        | \$0.35 |
| 18     | 018-0003 | CARRIAGE S/C ASSY  | \$2.10 | 48       | 048-0001 | O RING                | \$0.35 |
| 19     | 019-0001 | L-GUIDE PAWL       | \$0.50 | 49       | 049-0001 | CAST CONTROL CAP ASSY | \$0.40 |
| 20     | 020-0001 | PAWL CAP           | \$0.35 | 50       | 050-0001 | STAR DRAG             | \$0.40 |
| 21     | 021-0001 | WASHER             | \$0.35 | 51       | 051-0001 | FRICTION W/S          | \$0.35 |
| 22     | 022-0001 | SIDE RING          | \$0.35 | 52       | 052-0001 | HANDLE ASSY           | \$1.75 |
| 23     | 023-0001 | BALL BEARING       | \$2.10 | 53       | 053-0001 | RETAINER              | \$0.35 |
| 24     | 024-0001 | RETAINER           | \$0.35 | 54       | 054-0001 | HANDLE NUT RETAINER   | \$0.35 |
| 25     | 025-0001 | SET PLATE ASSY     | \$2.10 | 55       | 055-0001 | HANDLE NUT            | \$0.35 |
| 26     | 026-0001 | WASHER             | \$0.35 | 56       | 056-0001 | RETAINER S/C          | \$0.35 |
| 27     | 027-0001 | PINION ASSY        | \$0.95 | 57       | 057-0002 | SCREW                 | \$0.35 |
| 28     | 028-0001 | YOKE ASSY          | \$0.50 | 58       | 058-0001 | BALL BEARING          | \$2.10 |
| 29     | 029-0001 | YOKE PUSH S/P      | \$0.35 | 59       | 059-0001 | WASHER                | \$0.35 |

**PARTS LIST FOR SILSTAR : STARLITE I**

\* When ordering parts for your Silstar reel, be sure to include the following:

- 1) Complete Model Number and Letter. Example: BT 80 B
- 2) Specify Color for FX, BT,CX,ER,EC series reels.