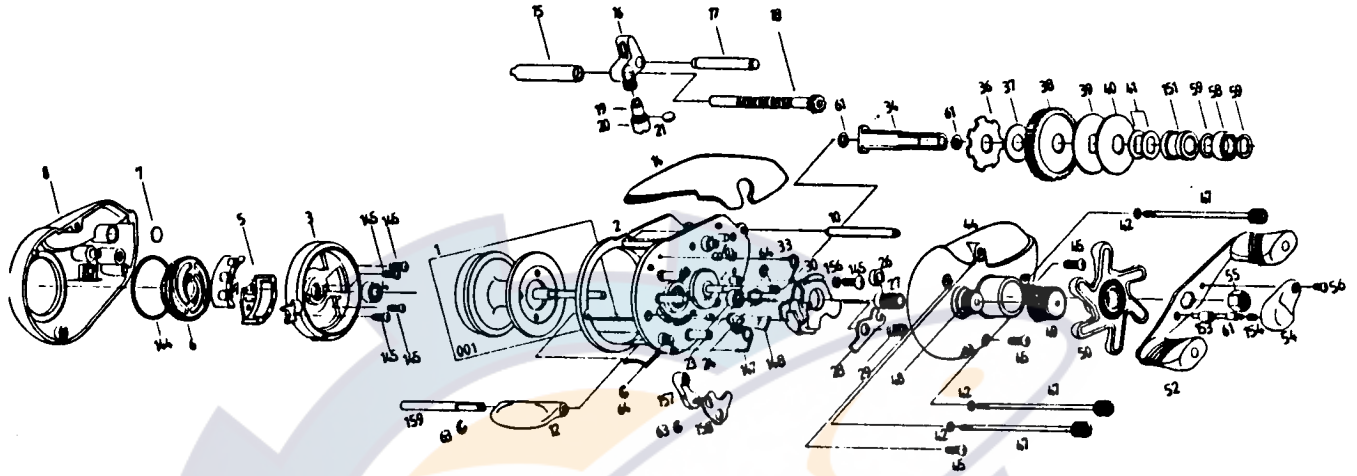


# SILSTAR

## TRISTAR 10



REF.NO	PART NO.	DESCRIPTION	PRICE	REF. NO.	PART NO.	DESCRIPTION	PRICE
1	001-6129	SPOOL	\$6.25	39	039-0001	B W/S	\$0.35
2	002-6129	FRAME	\$4.05	40	040-0001	D W/S	\$0.35
3	003-6129	SPOOL FLANGE	\$0.47	41	041-0001	S/P W/S	\$0.35
4	004-6129	BALL BEARING	\$3.10	44	044-6129	RIGHT C/O ASSY	\$2.60
5	006-6129	MAG. H/O ASSY	\$3.10	45	045-6129	BODY C/O S/C	\$0.45
6	006-6129	MAG. ADJ.	\$0.35	47	047-6129	STAB-BAR	\$1.95
7	007-0001	CARRI S/C W/S	\$0.35	49	049-6129	CONTROL CAP	\$0.87
8	008-6129	LEFT C/O ASSY	\$2.67	50	050-6129	STAB DRAG	\$0.35
10	010-6129	STAB BAR	\$0.35	51	051-6129	CLICK PIN	\$0.35
12	012-6129	PUSH BUTTON	\$0.35	52	052-6129	HANDLE ASSY	\$2.67
14	014-6129	TOP COVER	\$1.57	54	054-6129	H-NUT CAP	\$0.35
15	015-6129	LEVEL WIND GUIDE	\$0.47	55	055-6129	H-NUT	\$0.35
16	016-6129	L-G/P H/O ASSY	\$1.10	56	056-0001	SCREW	\$0.35
17	017-6129	STAB BAR	\$0.35	58	058-0001	BALL BEARING	\$3.72
18	018-6129	CARRI S/C ASSY	\$5.85	59	059-0001	D W/S	\$0.35
19	019-0001	L-G/P	\$0.52	75	075-6129	SCREW	\$0.35
20	020-0001	PAWL CAP	\$0.35	144	144-6129	T/S W/S	\$0.35
21	021-0001	PAWL ADJ. W/S	\$0.35	145	145-6129	SCREW	\$0.35
23	023-0001	BALL BEARING	\$3.65	146	146-6129	SCREW	\$0.35
24	024-0001	BEARING RETAINER	\$0.35	147	147-6129	RETURN PAWL S/P	\$0.35
27	027-6129	PINION ASSY	\$1.45	148	148-6129	CLUTCH RETURN PAWL	\$0.35
28	028-6129	YOKE	\$0.35	149	149-6129	SCREW	\$0.35
29	029-6129	YOKE S/P	\$0.35	150	150-6129	BEARING	\$0.35
30	030-6129	CLUTCH ARM	\$0.52	151	151-6129	BUSH	\$0.35
33	033-0001	CLUTCH ARM S/P	\$0.35	152	152-6129	BEARING PLATE	\$0.35
34	034-0001	GEAR SHAFT	\$1.32	153	153-6129	CLICK PIN GUIDE	\$0.35
35	035-0001	A-R-PAWL ASSY	\$0.47	154	154-6129	CLUTCH S/P	\$0.35
36	036-0001	RATCHET	\$0.35	155	155-6129	SCREW	\$0.35
37	037-0001	D-SHAFT W/S	\$0.35	156	156-6129	WASHER	\$0.35
38	038-6129	D-GEAR	\$1.60				

### PARTS LIST FOR SILSTAR : TRISTAR 10

- \* When ordering parts for your Silstar reel, be sure to include the following:
- 1) Complete Model Number and Letter. Example: BT 80 B
- 2) Specify Color for FX, BT,CX,ER,EC series reels.