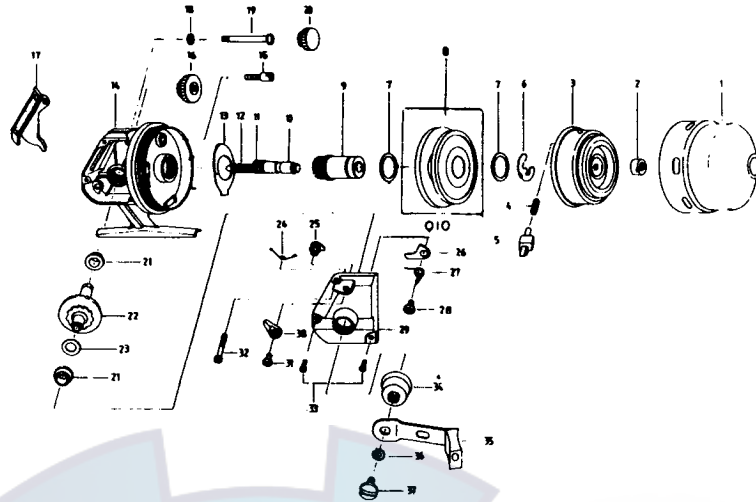


SILSTAR AC-3130



REF. NO.	PART NO.	DESCRIPTION	REF. NO.	PART NO.	DESCRIPTION
1	001-0215	FRONT COVER	21	021-0115	BEARING
2	002-0115	ROTOR NUT	22	022-0115	DRIVE GEAR
3	003-0215	ROTOR A'SSY	23	023-0115	DRIVE GEAR A/D W/S
4	004-0115	SPRING	24	024-0115	SPRING
5	005-0215	PICK UP	25	025-0115	ANTI-R-CAM
6	006-0115	"E" RING	26	026-0115	ANTI-R-CLAW
7	007-0115	WASHER	27	027-0115	SPRING
8	008-0215	SPOOL	28	028-0115	SCREW
9	009-0115	METAL BEARING	29	029-0215	BODY COVER
10	010-0115	MAIN SHAFT	30	030-0115	ANTI-R-LEVER
11	011-0115	PINION	31	031-0115	SCREW
12	012-0115	SPRING	32	032-0115	SCREW
13	013-0215	LEAF SPRING	33	033-0115	BODY COVER SCREW
14	014-0215	BODY	34	034-0115	HANDLE STAND
15	015-0115	DRAG SCREW	35	035-0215	HANDLE A'SSY
16	016-0115	DRAG DIAL	36	036-0115	TOOTH WASHER
17	017-0115	PUSH BUTTON	37	037-0115	SCREW
18	018-0115	WASHER	39	039-0115	WASHER
19	019-0115	SCREW	40	040-0115	WASHER
20	020-0115	HANDLE SCREW CAP			

PARTS LIST FOR 3130 REEL