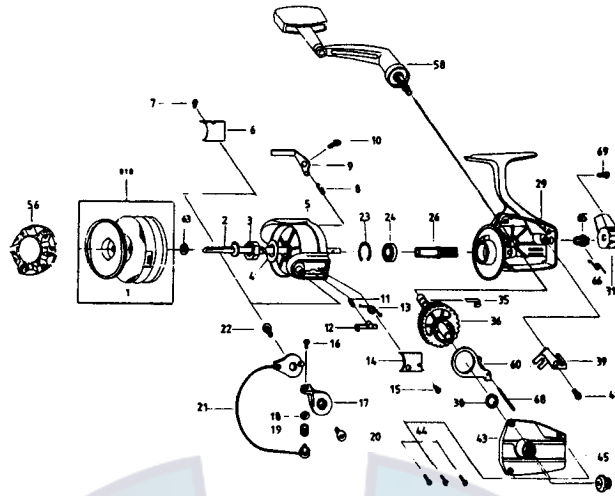


# SILSTAR AT-2550



| REF. NO. | PART NO. | DESCRIPTION         | REF. NO. | PART NO. | DESCRIPTION        |
|----------|----------|---------------------|----------|----------|--------------------|
| 1        | 001-1510 | SPOOL A'SSY         | 23       | 023-0210 | RETAINER RING      |
| 2        | 002-1510 | MAIN SHAFT A'SSY    | 24       | 024-0410 | BEARING            |
| 3        | 003-0210 | ROTOR NUT           | 26       | 026-1510 | PINION             |
| 4        | 004-0810 | ROTOR WASHER        | 29       | 029-1510 | BODY A'SSY         |
| 5        | 005-0310 | ROTOR               | 31       | 031-1410 | ANTI-R-LEVER       |
| 6        | 006-0410 | BAIL HOLDER COVER   | 35       | 035-1510 | ANTI-R-CLAW A/D    |
| 7        | 007-0410 | BAIL HOLDER C/O S/C | 36       | 036-1410 | DRIVE GEAR         |
| 8        | 008-0110 | BAIL KICK LEVER S/P | 38       | 038-0310 | DRIVE GEAR A/D W/S |
| 9        | 009-0310 | BAIL KICK LEVER     | 39       | 039-1510 | ANTI-R-CLAW        |
| 10       | 010-0310 | BAIL KICK LEVER S/C | 41       | 041-0310 | ANTI-R-CLAW S/C    |
| 11       | 011-0310 | BAIL STOPPER S/P    | 43       | 043-1510 | BODY COVER A'SSY   |
| 12       | 012-0410 | BAIL STOPPER        | 44       | 044-0410 | BODY COVER S/C     |
| 13       | 013-0310 | BAIL SPRING         | 45       | 045-0310 | HANDLE SCREW CAP   |
| 14       | 014-0410 | ARM LEVER C/O       | 56       | 056-1510 | DRAG KNOB A'SSY    |
| 15       | 015-0410 | ARM LEVER C/O S/C   | 58       | 058-0410 | HANDLE A'SSY       |
| 16       | 016-0410 | LINE SLIDER S/C     | 60       | 060-1510 | O/S SLIDER         |
| 17       | 017-0310 | ARM LEVER           | 63       | 063-1210 | SPOOL A/D W/S      |
| 18       | 018-0410 | LINE ROLLER COLLAR  | 65       | 065-1510 | ANTI-R-CAM         |
| 19       | 019-0310 | LINE ROLLER         | 66       | 066-1510 | ANTI-R-CAM S/P     |
| 20       | 020-0210 | ARM LEVER S/C       | 68       | 068-1510 | O/S PIN            |
| 21       | 021-1510 | BAIL A'SSY          | 69       | 069-1310 | SCREW              |
| 22       | 022-0210 | BAIL HOLDER S/C     |          |          |                    |

PARTS LIST FOR 2550 REEL