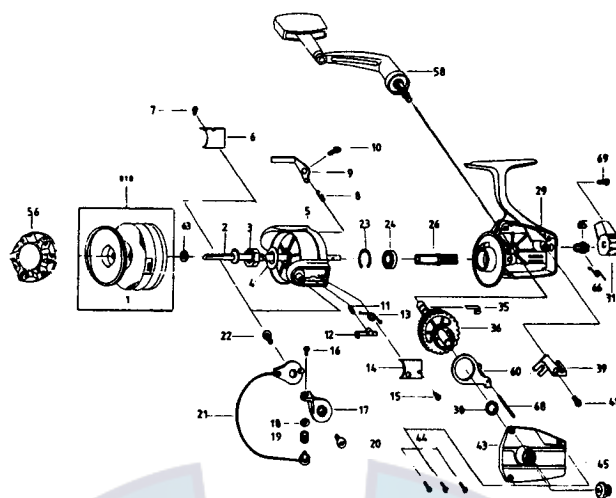


SILSTAR AT-2550



REF. NO.	PART NO.	DESCRIPTION	REF. NO.	PART NO.	DESCRIPTION
1	001-1510	SPOOL A'SSY	23	023-0210	RETAINER RING
2	002-1510	MAIN SHAFT A'SSY	24	024-0410	BEARING
3	003-0210	ROTOR NUT	26	026-1510	PINION
4	004-0810	ROTOR WASHER	29	029-1510	BODY A'SSY
5	005-0310	ROTOR	31	031-1410	ANTI-R-LEVER
6	006-0410	BAIL HOLDER COVER	35	035-1510	ANTI-R-CLAW A/D
7	007-0410	BAIL HOLDER C/O S/C	36	036-1410	DRIVE GEAR
8	008-0110	BAIL KICK LEVER S/P	38	038-0310	DRIVE GEAR A/D W/S
9	009-0310	BAIL KICK LEVER	39	039-1510	ANTI-R-CLAW
10	010-0310	BAIL KICK LEVER S/C	41	041-0310	ANTI-R-CLAW S/C
11	011-0310	BAIL STOPPER S/P	43	043-1510	BODY COVER A'SSY
12	012-0410	BAIL STOPPER	44	044-0410	BODY COVER S/C
13	013-0310	BAIL SPRING	45	045-0310	HANDLE SCREW CAP
14	014-0410	ARM LEVER C/O	56	056-1510	DRAG KNOB A'SSY
15	015-0410	ARM LEVER C/O S/C	58	058-0410	HANDLE A'SSY
16	016-0410	LINE SLIDER S/C	60	060-1510	O/S SLIDER
17	017-0310	ARM LEVER	63	063-1210	SPOOL A/D W/S
18	018-0410	LINE ROLLER COLLAR	65	065-1510	ANTI-R-CAM
19	019-0310	LINE ROLLER	66	066-1510	ANTI-R-CAM S/P
20	020-0210	ARM LEVER S/C	68	068-1510	O/S PIN
21	021-1510	BAIL A'SSY	69	069-1310	SCREW
22	022-0210	BAIL HOLDER S/C			

PARTS LIST FOR 2550 REEL