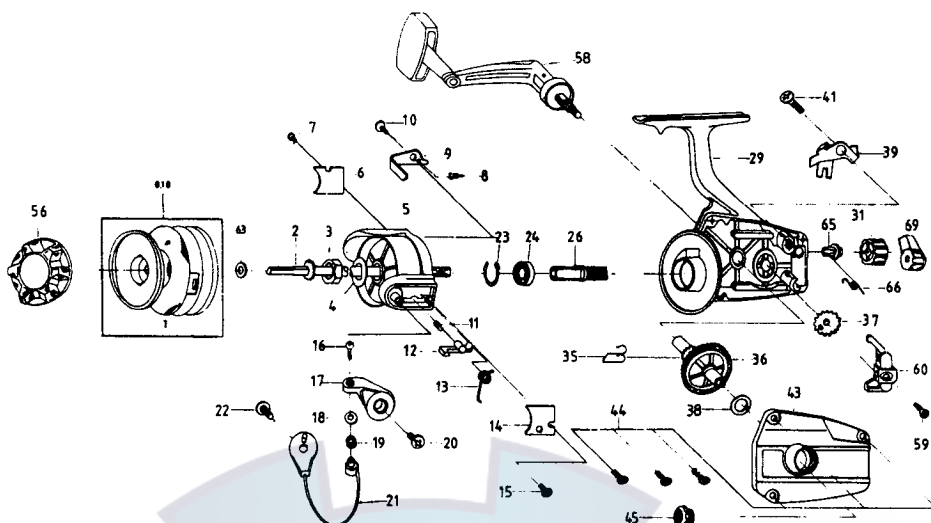


SILSTAR AT-2570

| REF. NO. | PART NO. | DESCRIPTION | REF. NO. | PART NO. | DESCRIPTION |
|----------|----------|---------------------|----------|----------|--------------------|
| 1 | 001-1610 | SPOOL A'SSY | 23 | 023-0210 | RETAINER RING |
| 2 | 002-1610 | MAIN SHAFT A'SSY | 24 | 024-0210 | BEARING |
| 3 | 003-0210 | ROTOR NUT | 26 | 026-1610 | PINION |
| 4 | 004-0210 | ROTOR WASHER | 29 | 029-1610 | BODY A'SSY |
| 5 | 005-0210 | ROTOR | 31 | 031-1610 | ANTI-R-LEVER |
| 6 | 006-0210 | BAIL HOLDER COVER | 35 | 035-1610 | ANTI-R-CLAW A/D |
| 7 | 007-0210 | BAIL HOLDER C/O S/C | 36 | 036-1610 | DRIVE GEAR |
| 8 | 008-0110 | BAIL KICK LEVER S/P | 37 | 037-0110 | O/S GEAR |
| 9 | 009-0110 | BAIL KICK LEVER | 38 | 038-0110 | DRIVE GEAR A/D W/S |
| 10 | 010-0110 | BAIL KICK LEVER S/C | 39 | 039-1610 | ANTI-R-CLAW |
| 11 | 011-0110 | BAIL STOPPER S/P | 41 | 041-1610 | ANTI R CLAW S/C |
| 12 | 012-0210 | BAIL STOPPER | 43 | 043-1610 | BODY COVER A'SSY |
| 13 | 013-0110 | BAIL SPRING | 44 | 044-0210 | BODY COVER SCREW |
| 14 | 014-0210 | BAIL LEVER C/O | 45 | 045-0110 | HANDLE SCREW CAP |
| 15 | 015-0210 | ARM LEVER C/O S/C | 56 | 056-1610 | DRAG KNOB A'SSY |
| 16 | 016-0210 | LINE SLIDER S/C | 58 | 058-0210 | HANDLE A'SSY |
| 17 | 017-0110 | ARM LEVER | 59 | 059-0110 | SCREW |
| 18 | 018-0210 | LINE ROLLER COLLAR | 60 | 060-1610 | O/S SLIDER |
| 19 | 019-0110 | LINE ROLLER | 63 | 063-1210 | SPOOL A/D W/S |
| 20 | 020-0210 | ARM LEVER S/C | 65 | 065-1610 | ANTI-R-CAM |
| 21 | 021-1610 | BAIL A'SSY | 66 | 066-1610 | ANTI-R-CAM S/P |
| 22 | 022-0210 | BAIL HOLDER S/C | 69 | 069-1610 | SCREW |

PARTS LIST FOR 2570 REEL