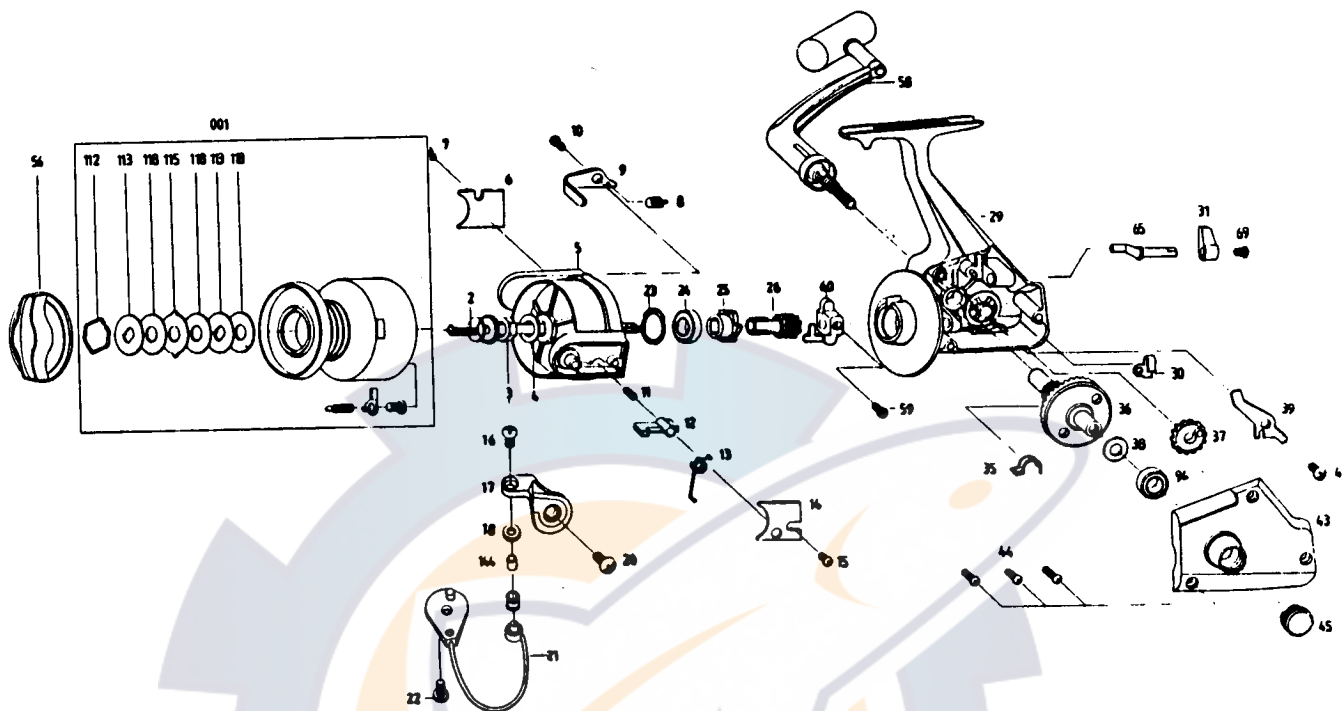


# SILSTAR

AT60B



REF.NO	PART NO.	DESCRIPTION	PRICE	REF. NO.	PART NO.	DESCRIPTION
1	001-4230	SPOOL ASSY	\$6.50	25	025-4216	RATCHET
2	002-5160	MAIN SHAFT ASSY	\$2.65	26	026-5160	PINION
3	003-0210	ROTOR NUT	\$0.35	29	029-5160	BODY ASSY
4	004-0210	ROTOR W/S	\$0.35	30	030-5160	A-R-CAM S/P
5	005-0210	ROTOR	\$3.00	31	031-1610	A-R-LEVER
6	006-0210	B/H C/O	\$0.35	35	035-1610	A-R-CLAW ADJ S/P
7	007-0210	B/H S/C	\$0.35	36	036-1610	DRIVE GEAR
8	008-0110	BAIL K/L S/P	\$0.35	37	037-0110	O/S GEAR
9	009-1910	BAIL K/L	\$0.35	38	038-0110	DRIVE GEAR ADJ W/S
10	010-0110	BAIL K/L S/C	\$0.35	39	039-5160	A-R-CLAW
11	011-0110	BAIL STOPPER S/P	\$0.35	41	041-5160	A-R-CLAW S/C
12	012-0110	BAIL STOPPER	\$0.35	43	043-5160	BODY C/O ASSY
13	013-0110	BAIL S/P	\$0.35	44	044-0210	BODY C/O S/C
14	014-0210	ARM LEVER C/O	\$0.35	45	045-0110	HANDLE S/C CAP
15	007-0210	ARM LEVER C/O S/C	\$0.35	56	056-4233	DRAG KNOB ASSY
16	016-0410	L-SLIDER S/C	\$0.35	58	058-1210	HANDLE ASSY
17	017-0110	ARM LEVER	\$0.90	59	059-0110	SCREW
18	018-0210	L-ROLLER COLLAR	\$0.35	60	060-5160	O/S SLIDER
19	019-0110	L-ROLLER	\$0.35	65	065-5160	A-R-CAM
20	020-0210	ARM LEVER S/C	\$0.35	69	069-5160	A-R-LEVER S/C
21	021-1610	BAIL ASSY	\$2.15	94	094-5160	BEARING
22	020-0210	B/H S/C	\$0.35	144	144-5160	L-BEARING
23	023-0210	RETAINER	\$0.35			
24	024-5160	BALL BEARING	\$1.95			

**PARTS LIST FOR SILSTAR :**

**AT60B**

\* When ordering parts for your Silstar reel, be sure to include the following:

- 1) Complete Model Number and Letter. Example: BT 80 B
- 2) Specify Color for FX, BT,CX,ER,EC series reels.