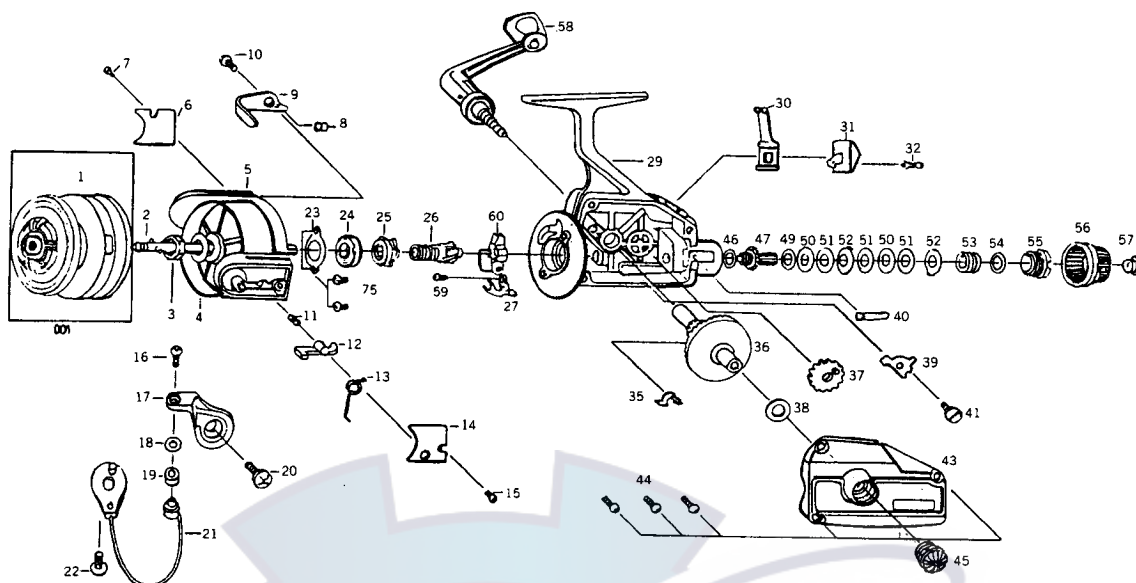


SILSTAR AX-2635



REF. NO.	PART NO.	DESCRIPTION	REF. NO.	PART NO.	DESCRIPTION
1	001-2110	SPOOL A'SSY	30	030-1810	LEAF SPRING
2	002-1810	MAIN SHAFT A'SSY	31	031-1810	ANTI-R-LEVER
3	003-0710	ROTOR NUT	32	032-0710	PIN
4	004-0710	ROTOR WASHER	35	035-1810	ANTI-R-CLAW A/D
5	005-1810	ROTOR	36	036-1810	DRIVE GEAR
6	006-2110	BAIL HOLDER C/O	37	037-1810	O/S GEAR
7	007-0810	BAIL HOLDER C/O S/C	38	038-0710	DRIVE GEAR A/D W/S
8	008-0110	BAIL KICK LEVER S/P	39	039-1810	ANTI-R-CLAW
9	009-1810	BAIL KICK LEVER	40	040-1810	DRAG LEAF S/P
10	010-1810	BAIL KICK LEVER S/C	41	041-0710	ANTI-R-CLAW S/C
11	011-1810	BAIL STOPPER S/P	43	043-2110	BODY COVER A'SSY
12	012-2110	BAIL STOPPER	44	044-2110	BODY COVER S/C
13	013-1810	BAIL SPRING	45	045-0710	HANDLE SCREW CAP
14	014-2110	ARM LEVER COVER	46	046-1810	WASHER
15	015-0810	ARM LEVER C/O S/C	47	047-1810	CLICK METAL
16	016-2110	LINE SLIDER S/C	49	049-1810	DISK B WASHER
17	017-1810	ARM LEVER	50	050-1810	DISK D WASHER
18	018-2110	LINE ROLLER COLLAR	51	051-1810	DISK C WASHER
19	019-1810	LINE ROLLER	52	052-1810	DISK A WASHER
20	020-0810	ARM LEVER S/C	53	053-1810	COIL SPRING
21	021-2110	BAIL A'SSY	54	054-1810	PRESSURE WASHER
22	022-0810	BAIL HOLDER S/C	55	055-1810	PRESSURE
23	023-1810	BEARING PLATE	56	056-2110	DRAG KNOB A'SSY
24	024-0710	BEARING	57	057-0710	DRAG KNOB S/C
25	025-1810	RATCHET	58	058-2110	HANDLE A'SSY
26	026-1810	PINION	59	059-1810	SCREW
27	027-1810	RETAINER	60	060-1810	O/S SLIDER
29	029-2110	BODY A'SSY	75	075-1810	BEARING PLATE SCREW

PARTS LIST FOR 2635 REEL